



200 cm



6 mm



1,5 cm



Dimensions	Code	Glass						Profile				
Actual size		1	44	54	92	93	94	U	K	H	O M L	P R Q N Z

**A**

Clear

Band Satin

Fumé

Linea 1

Linea 2

Flute

Matt white

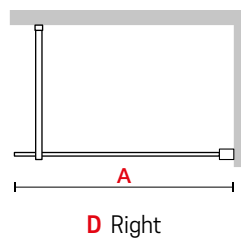
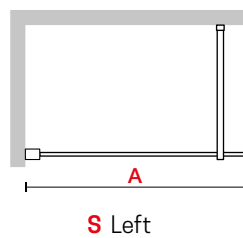
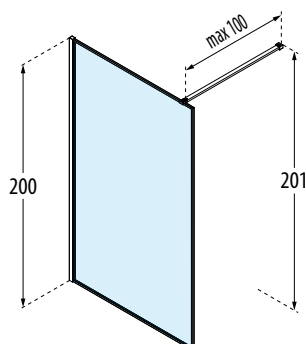
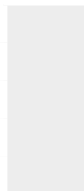
Chrome

Matt black

Shiny gold  
Shiny red gold  
Shiny black chrome

Brushed gold  
Brushed red gold  
Brushed bronze  
Brushed black chrome  
Brushed inox

77↔78,5	<b>HARTHP80-</b>
87↔88,5	<b>HARTHP90-</b>
97↔98,5	<b>HARTHP100-</b>
117↔118,5	<b>HARTHP120-</b>
137↔138,5	<b>HARTHP140-</b>



**Code**

+

**Glass**

+

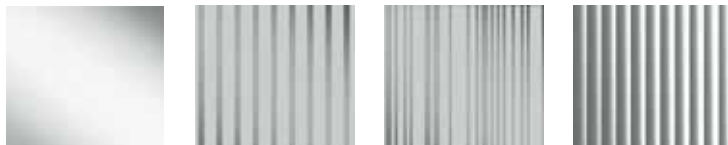
**Profile**

= Final product Code



LINEA 2 / SHINY RED GOLD

**GLASS TYPE**



Clear  
code 1

Linea 1  
code 92

Linea 2  
code 93

Flute  
code 94

**PROFILE COLOURS**

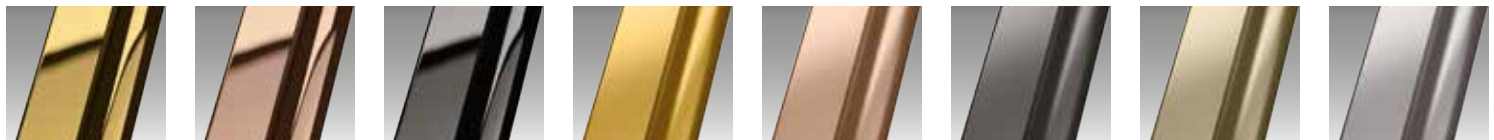


Matt White  
code U

Chrome  
code K

Matt Black  
code H

**PROFILE COLOURS "COLORATISSIMI"**



Shiny gold  
code O

Shiny red gold  
code M

Shiny black  
chrome  
code L

Brushed gold  
code P

Brushed red  
gold  
code R

Brushed black  
chrome  
code N

Brushed bronze  
code Q

Brushed inox  
code Z