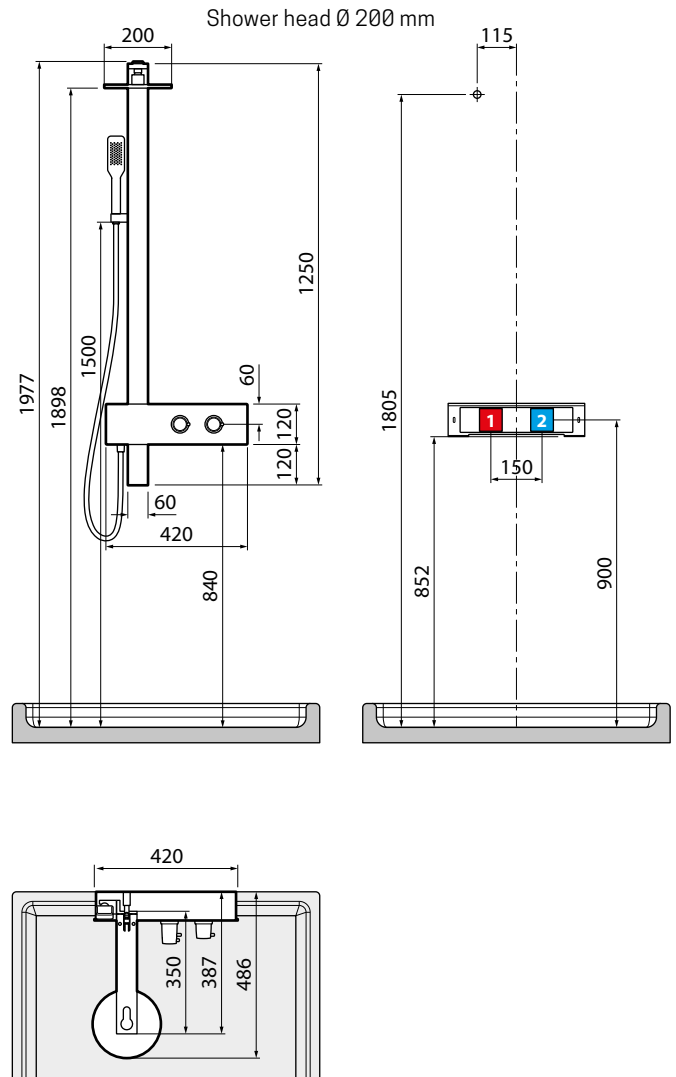


F



EQUIPPED PANEL WITH SHOWER HEAD, FOR WALL FITTING



Mixer	Dimensions (cm)	Code	Finish		
			U Matt White	H Matt Black	B Silver

STANDARD   

Thermostatic 42x8,4x125 **EFFET-**

- 1 2** Water connections for wall mounted fittings
- 1**  **HYDRAULIC CHARACTERISTIC**
Optimum dynamic pressure 2÷5 bar
- 2**  Cold water connection 1/2"