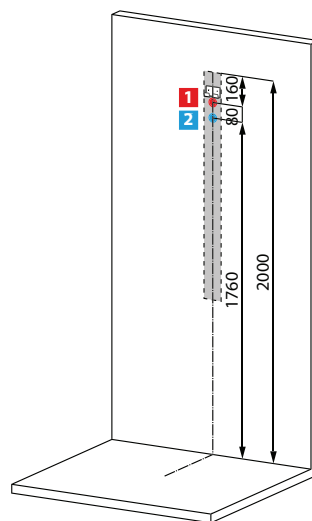
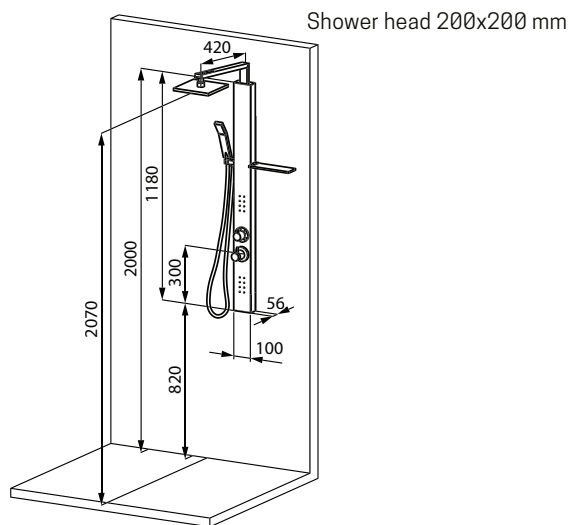


REVIF PLUS

EQUIPPED PANEL IN STAINLESS STEEL - FOR CORNER FITTING



Mixer	Dimensions (cm)	Code	Price
Manual	10 X H 118	REV1VM-K	
Thermostatic	10 X H 118	REV1VT-K	



1 2 Water connections for wall mounted fittings

- 1 HYDRAULIC CHARACTERISTIC
Optimum dynamic pressure 2÷5 bar
- 2 1/2" hot water connection
Cold water connection 1/2"