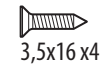
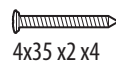
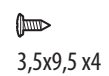
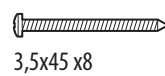
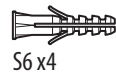
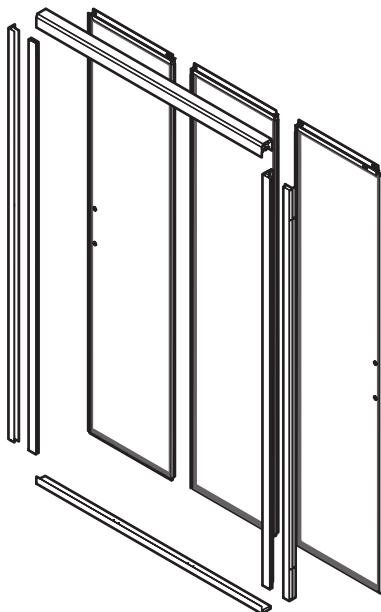
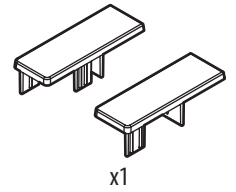
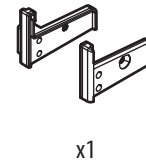
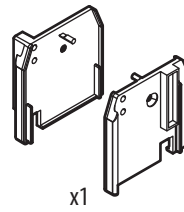
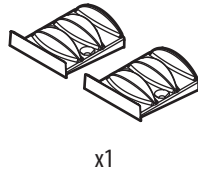
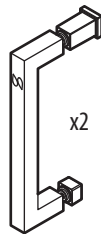
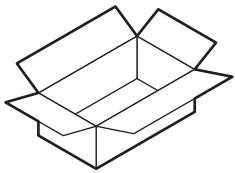
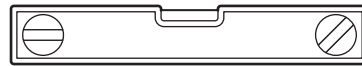
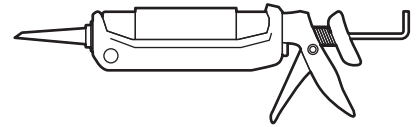
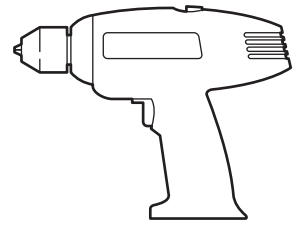
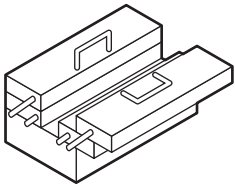
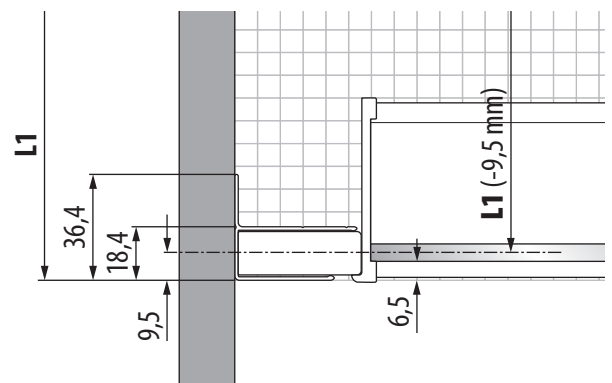
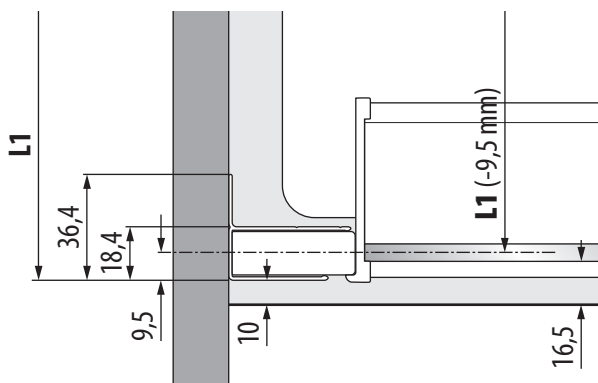
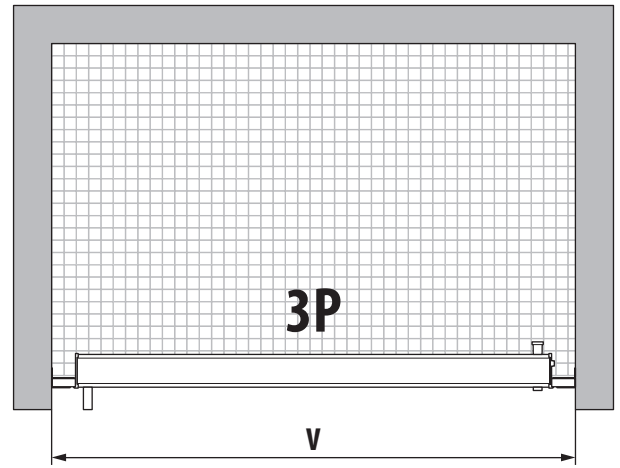
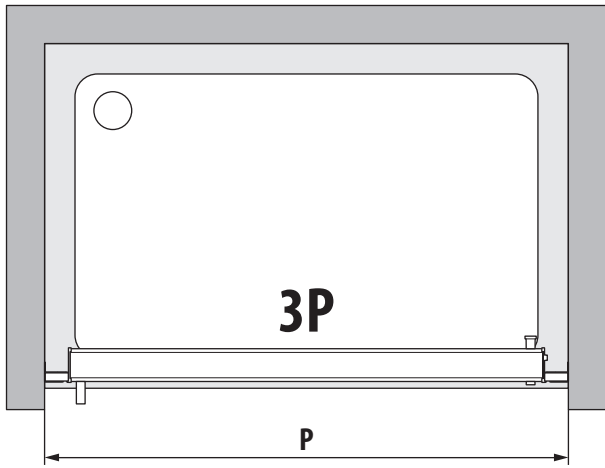


<hr/> <hr/> <hr/> <hr/>	<hr/> <hr/> <hr/> <hr/>
-------------------------	-------------------------

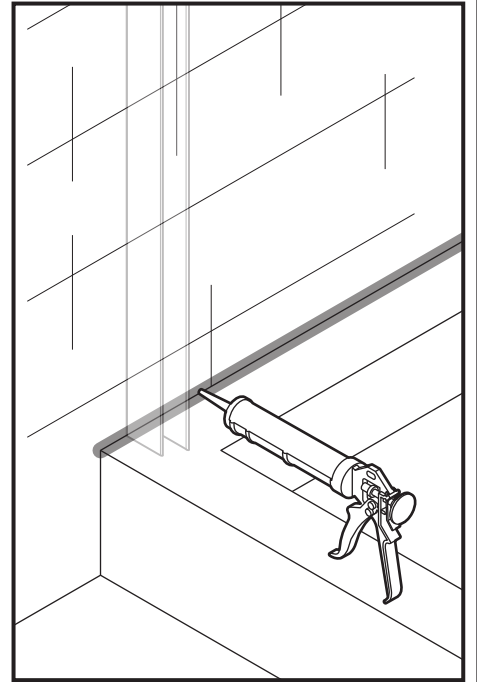
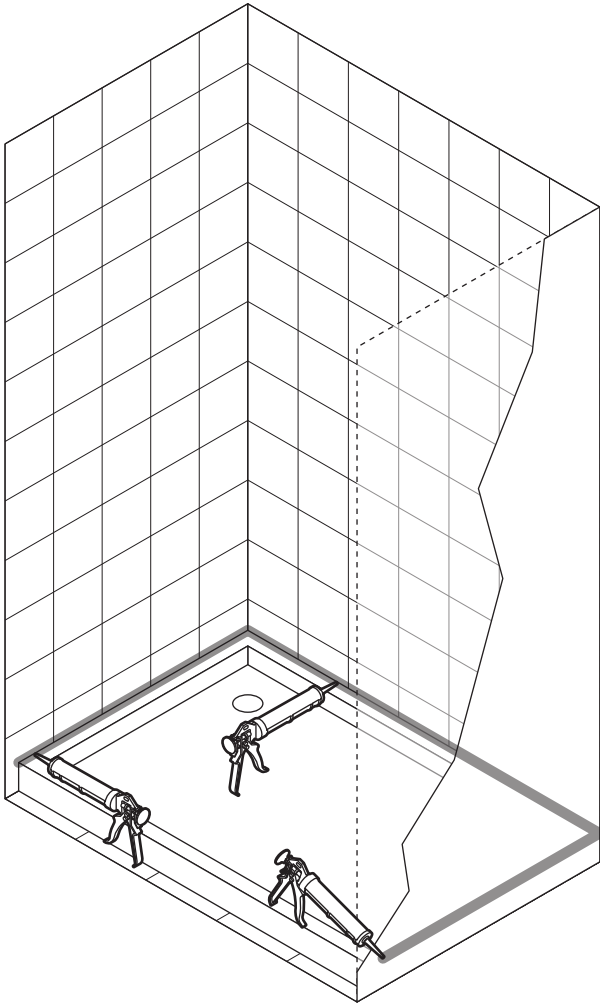


3P	P mm
96	960-1020
106	1060-1120
116	1160-1220
126	1260-1320
136	1360-1420

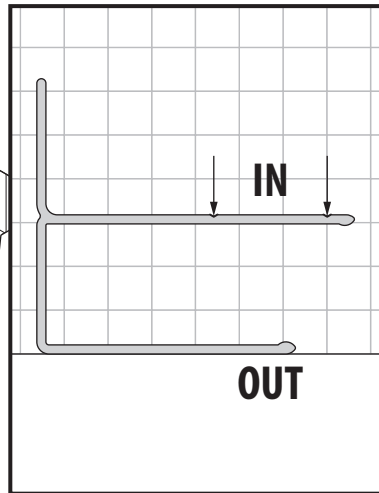
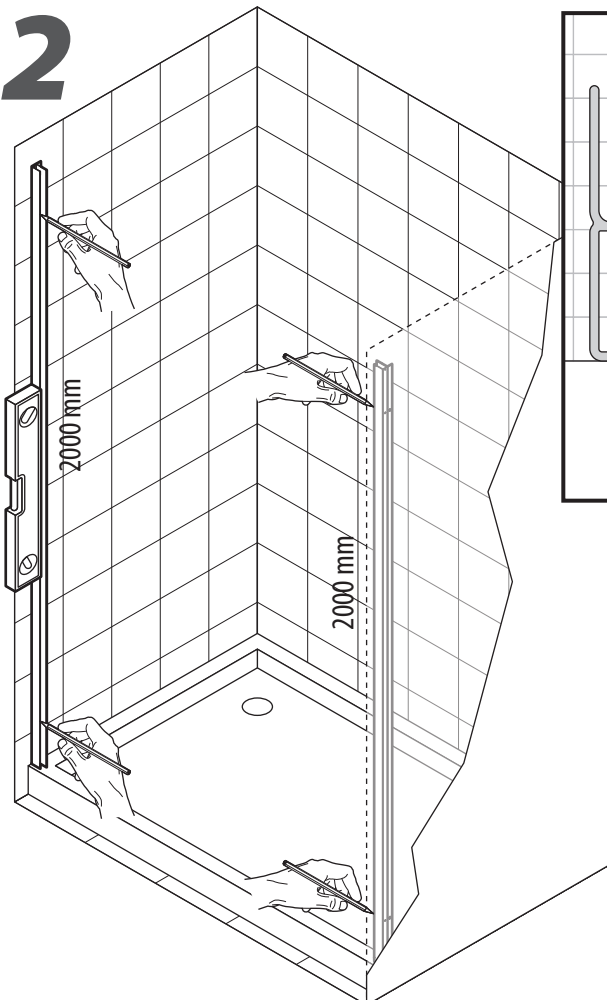
3P	V mm
96	960-1020
106	1060-1120
116	1160-1220
126	1260-1320
136	1360-1420



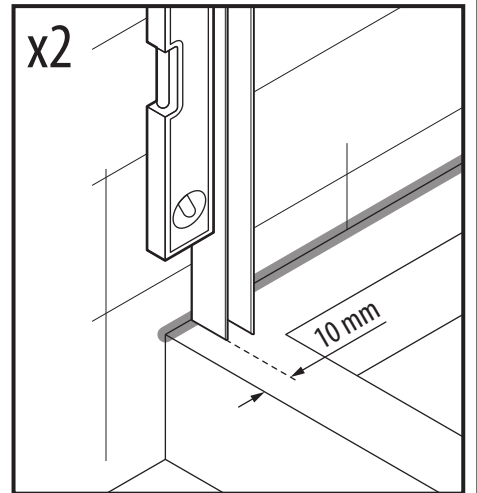
1



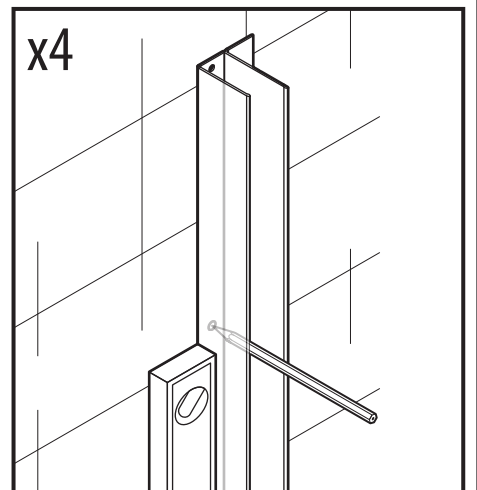
2



x2



x4



3

2°

1°



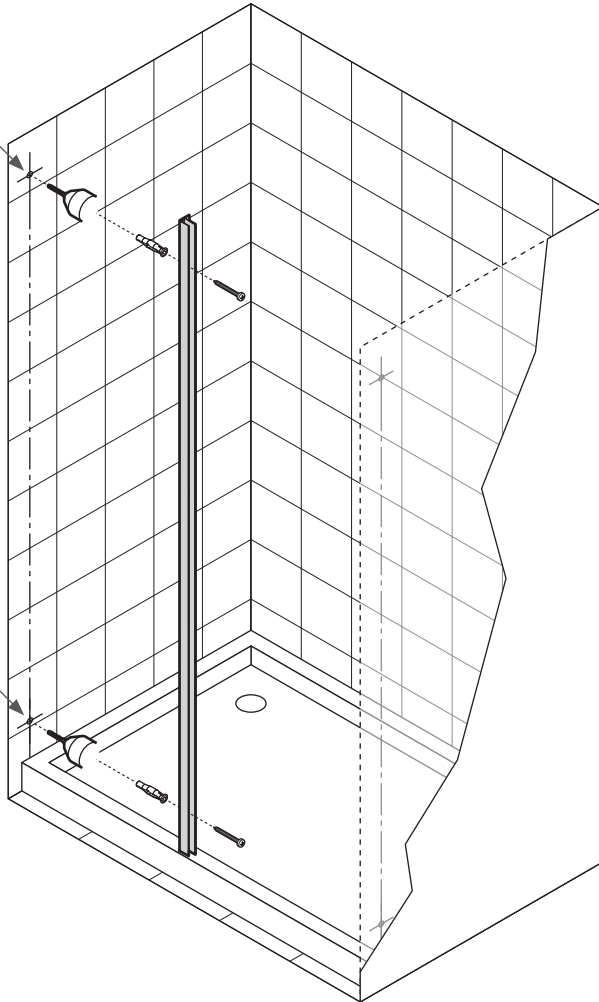
S6 x2



4x35 x2

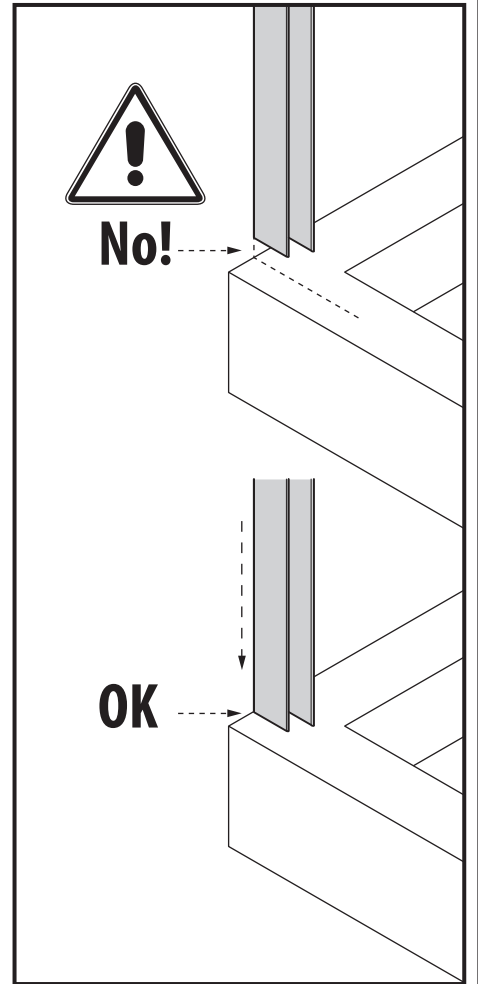


ø6 mm



No!

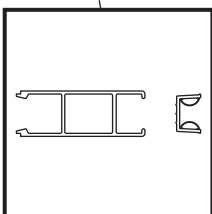
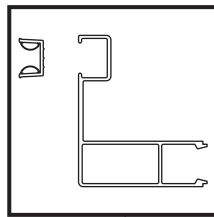
OK



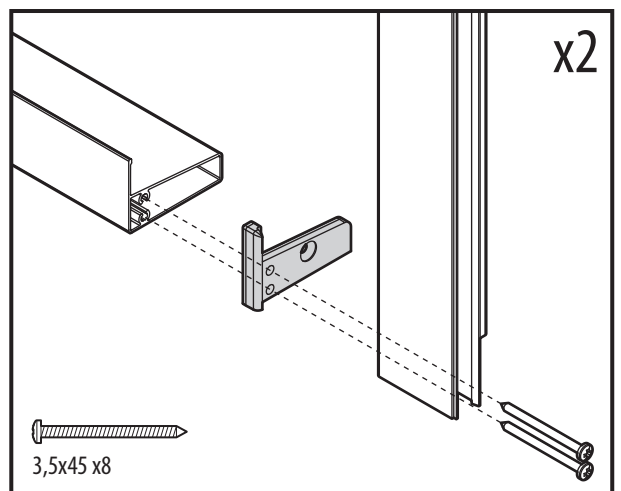
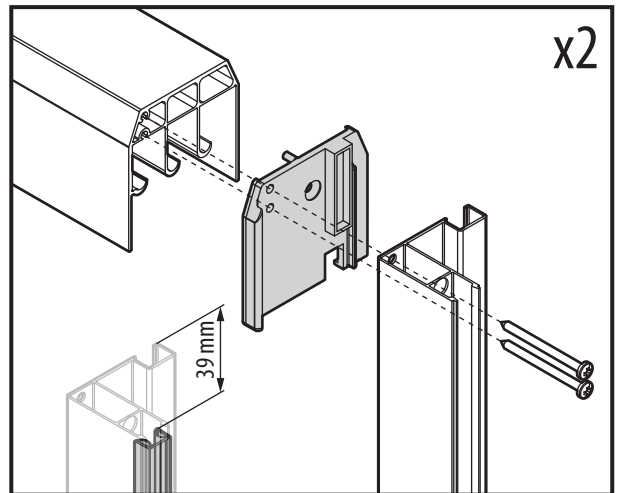
4

1931 mm

1961 mm

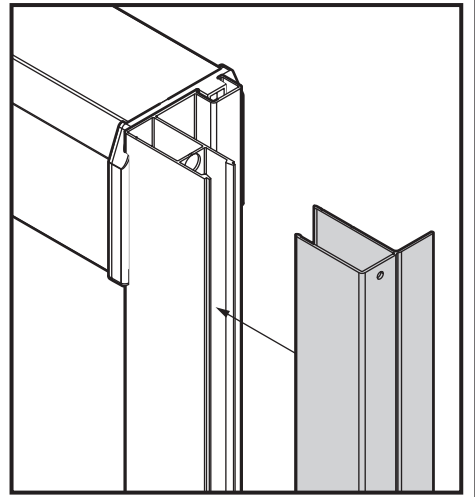
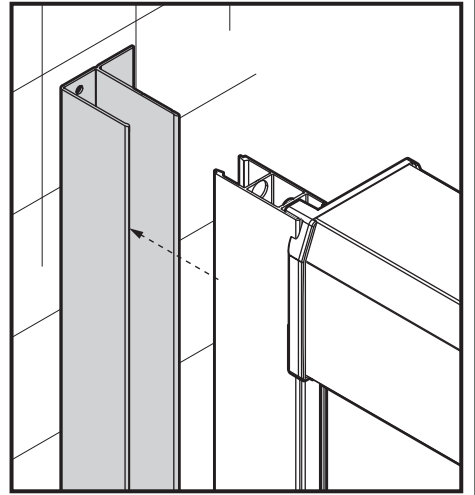
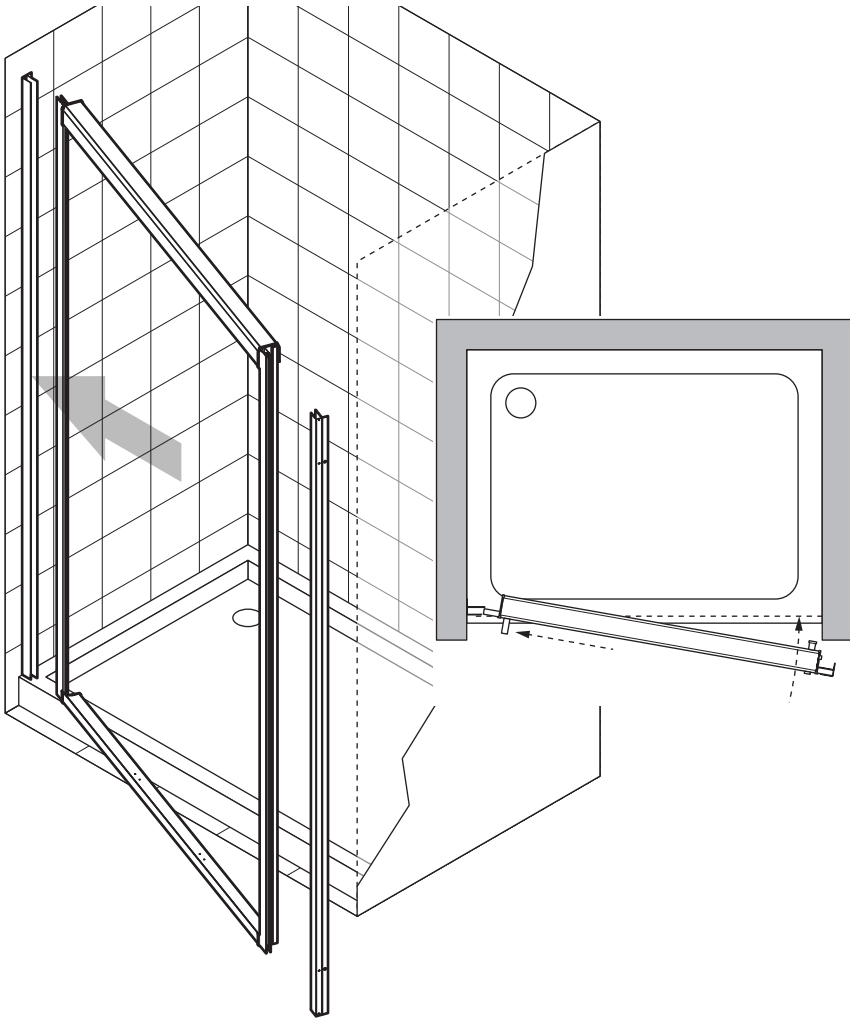


5

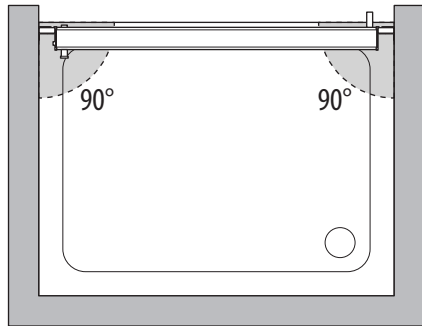
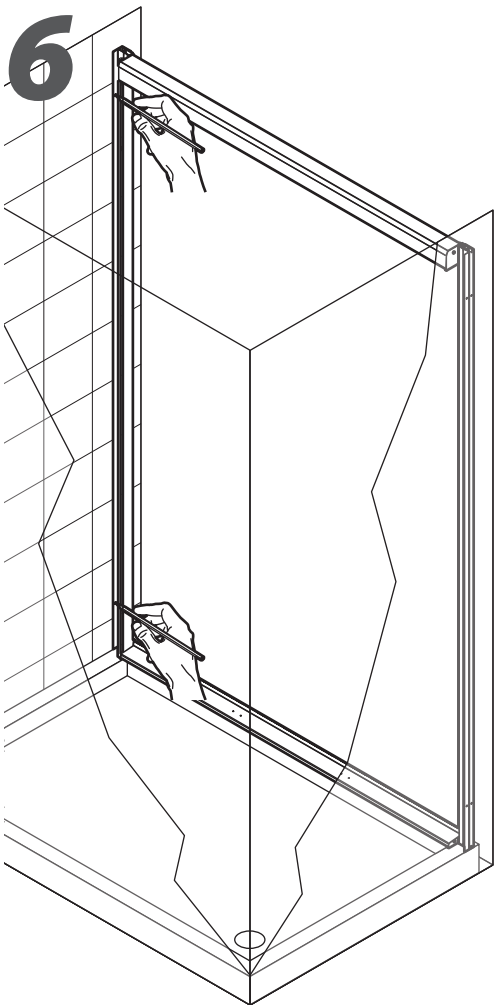


3,5x45 x8

5



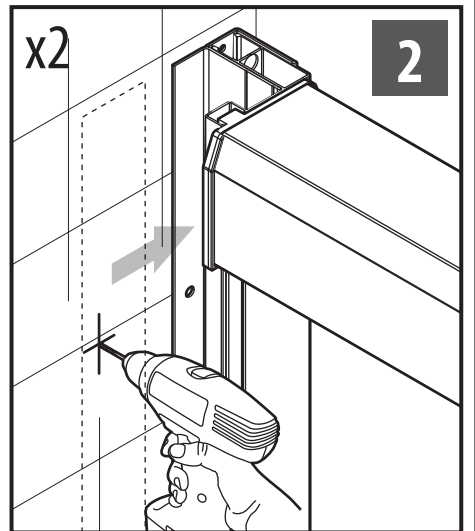
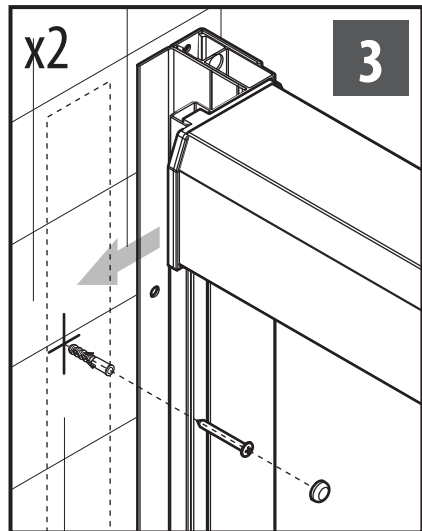
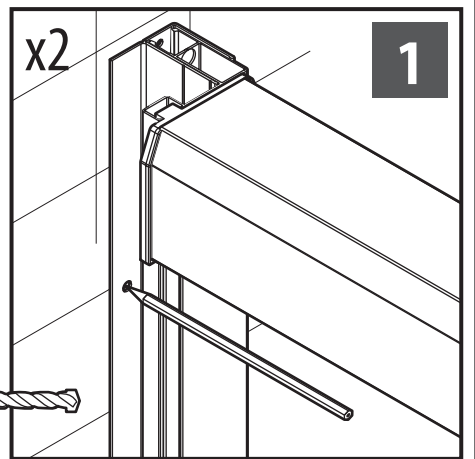
6



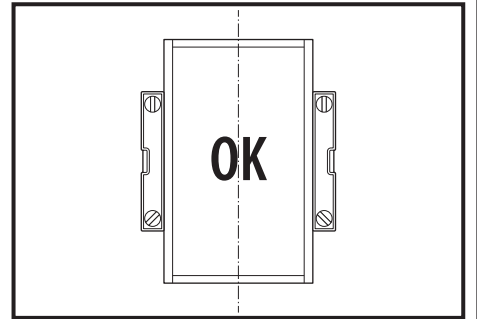
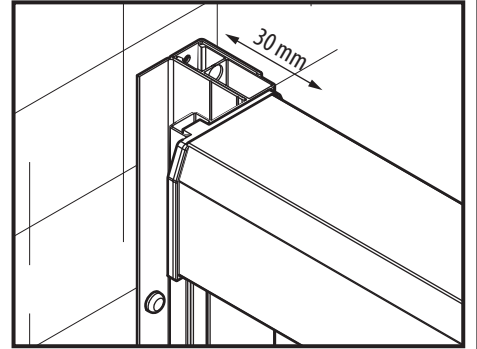
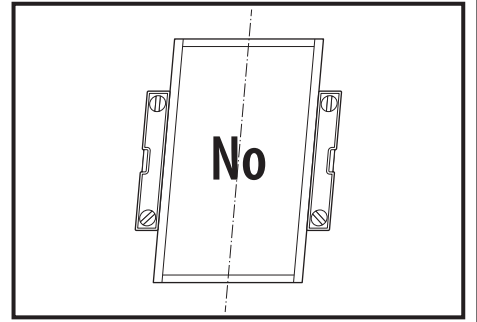
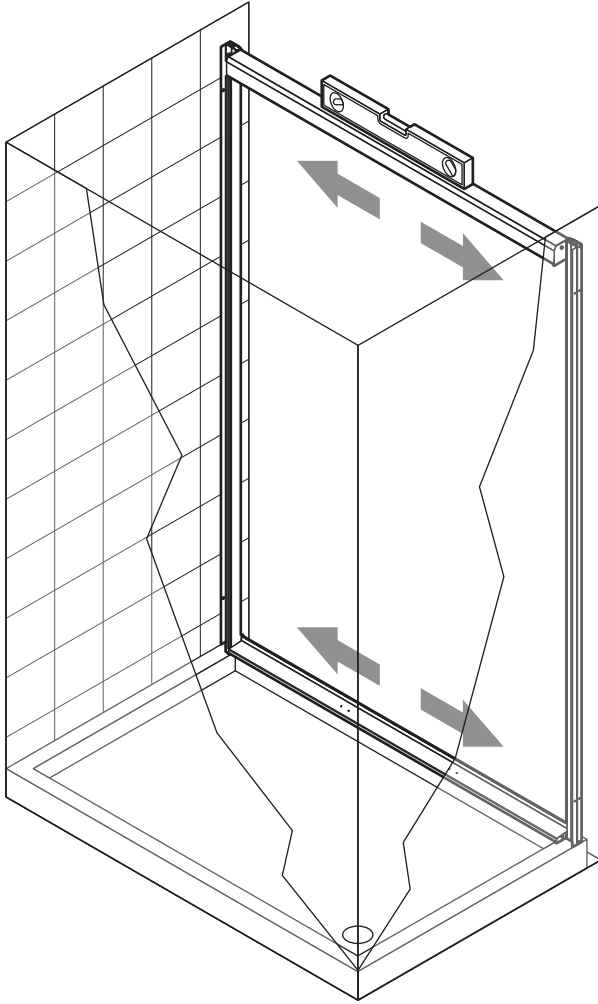
4x35 x2

S6 x2

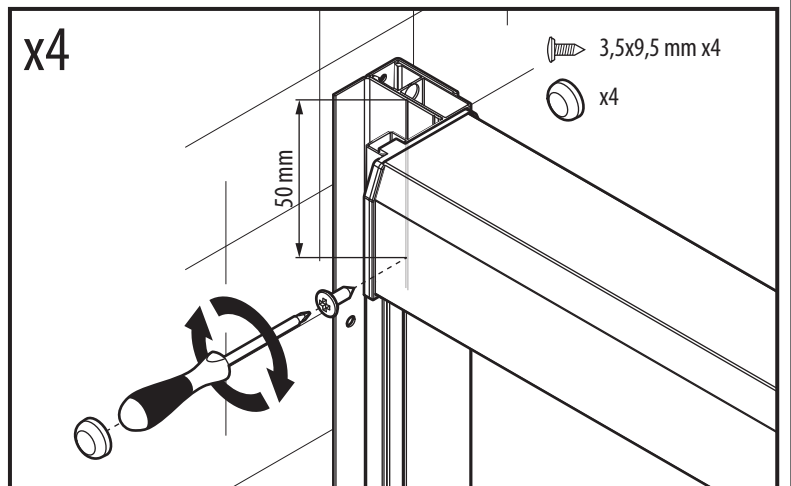
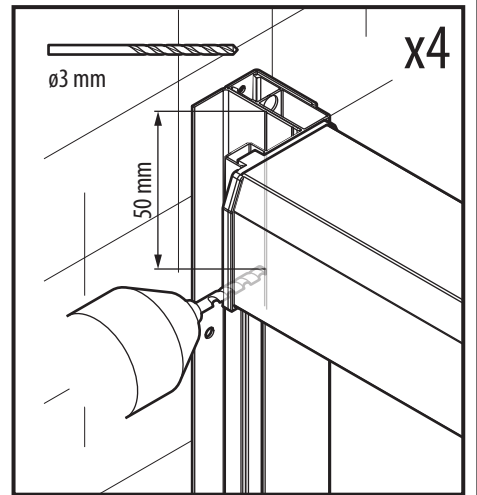
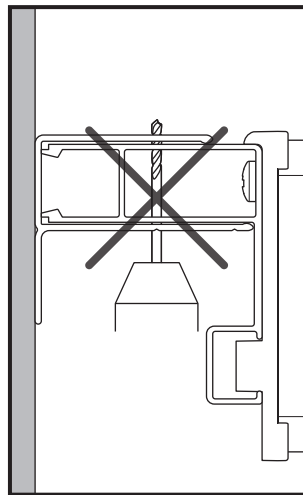
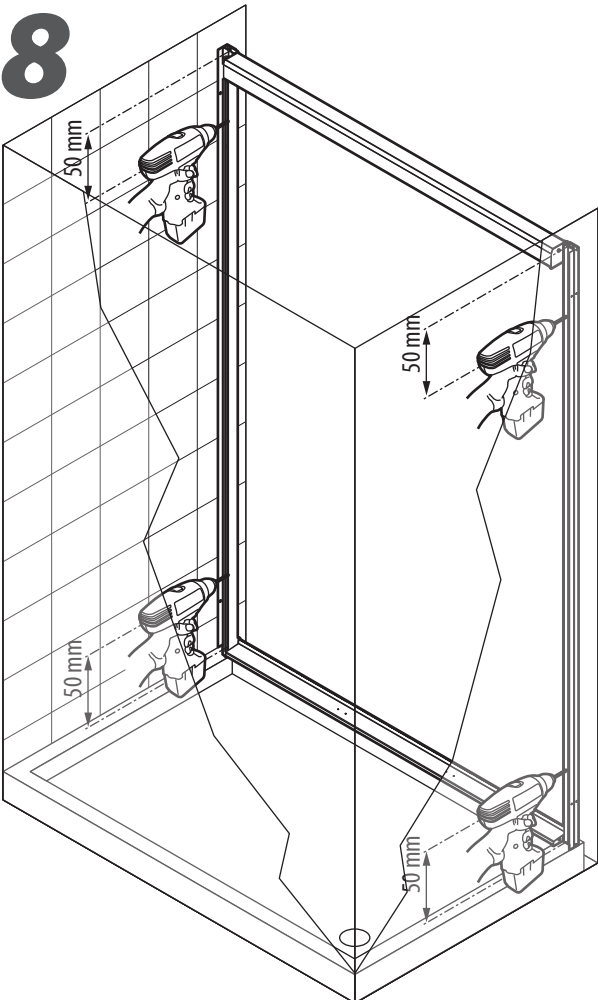
ø6 mm



7

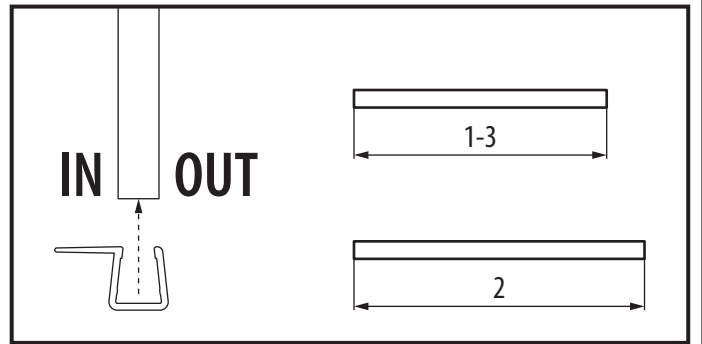
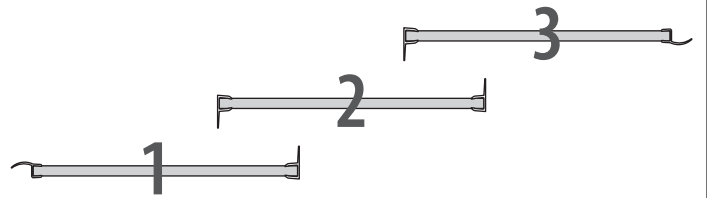
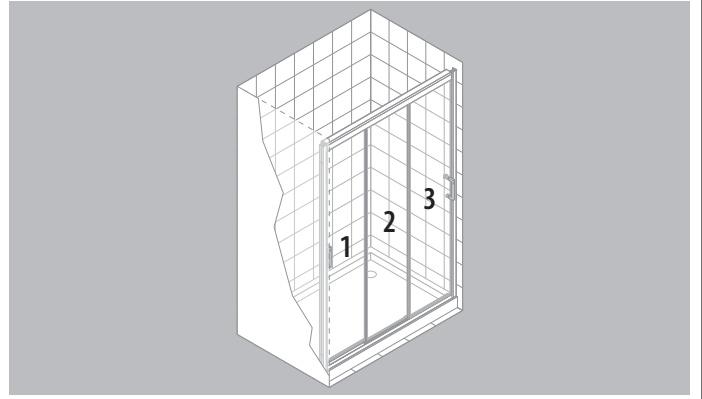
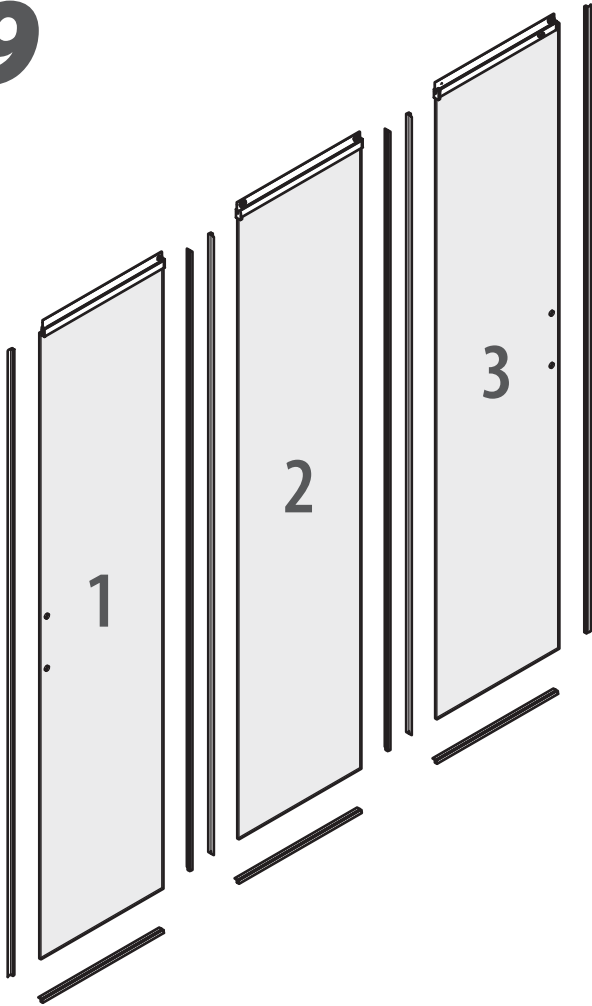


8

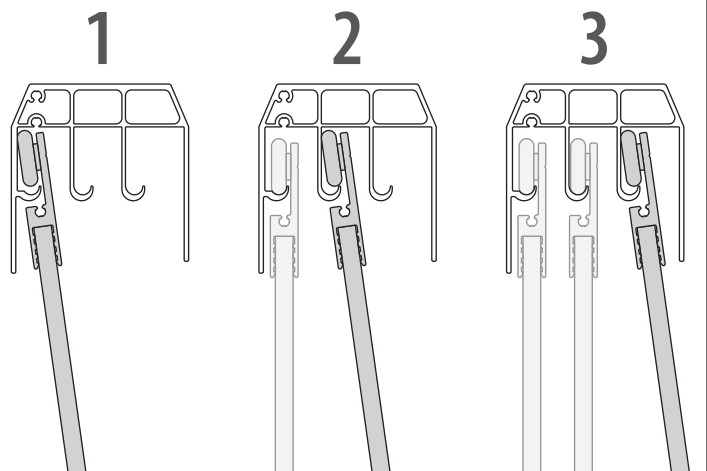
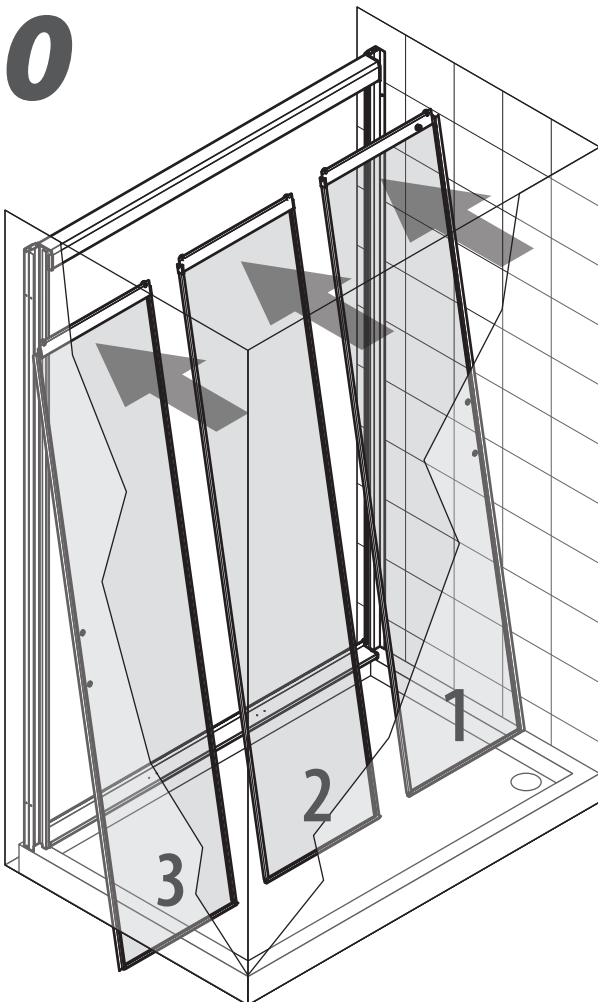


7

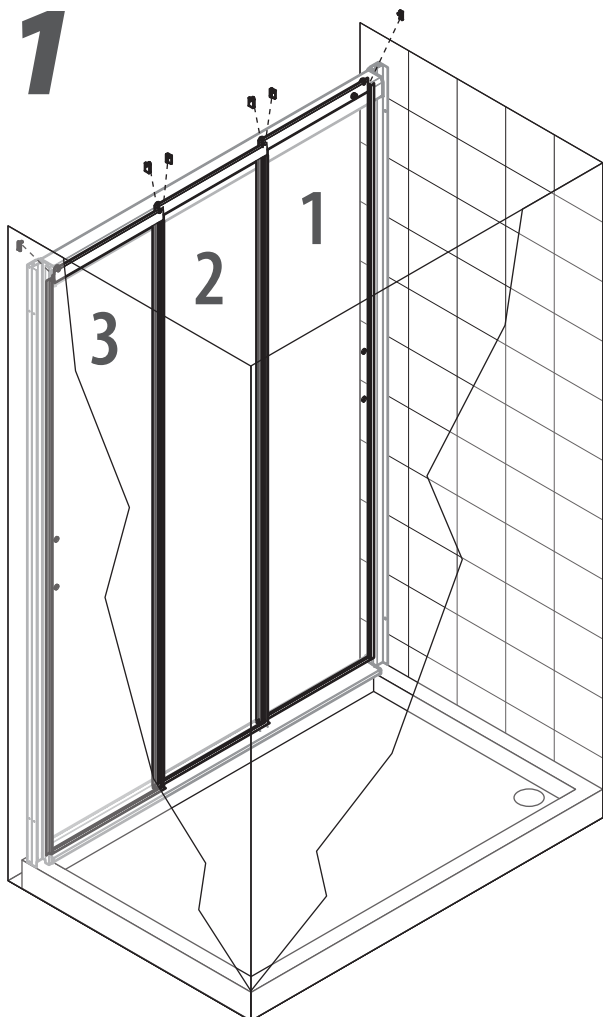
9



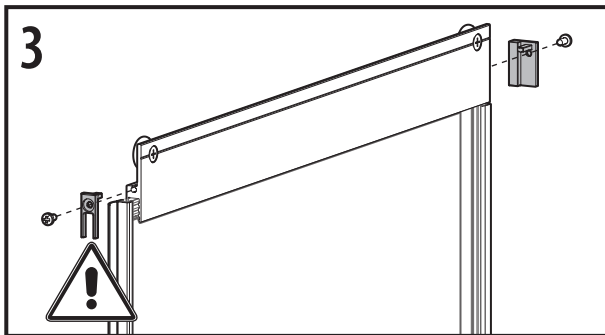
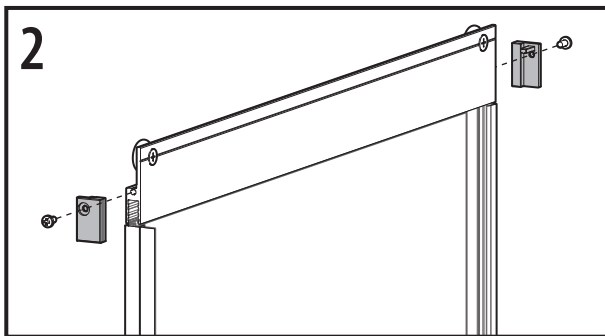
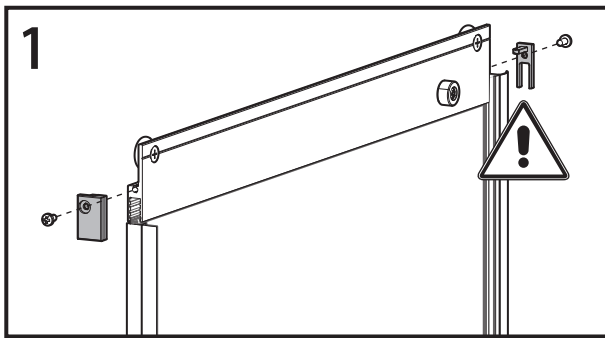
10



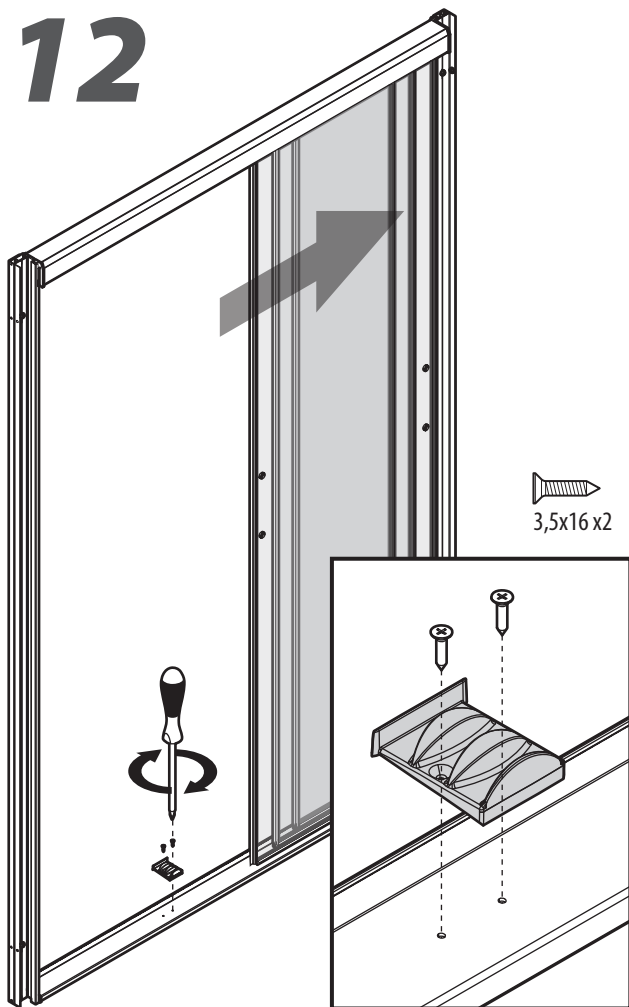
11



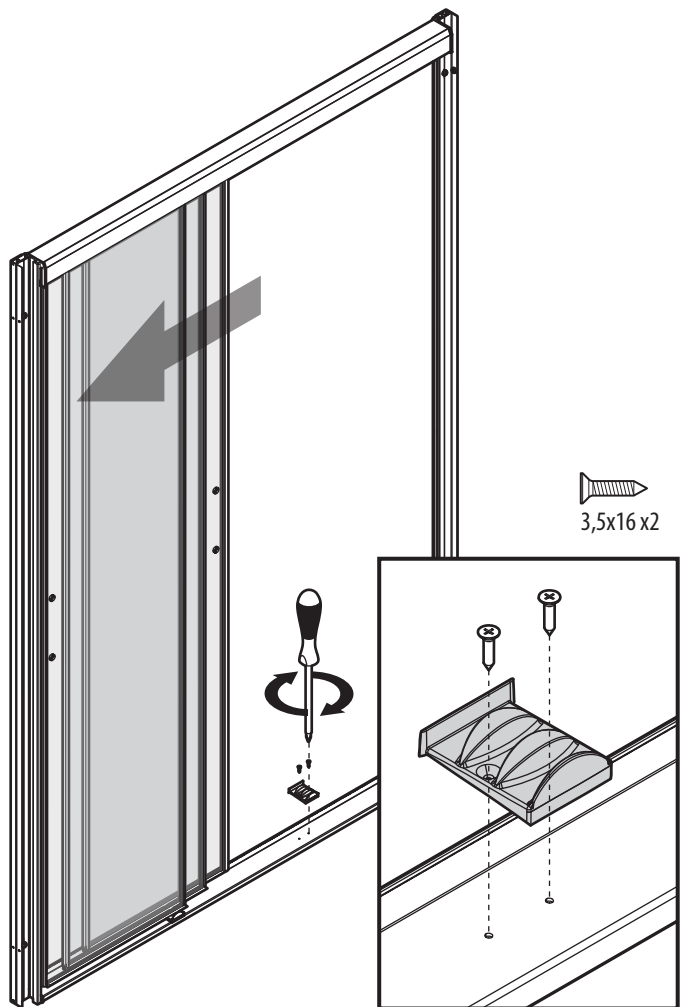
3,5x9,5 x6



12

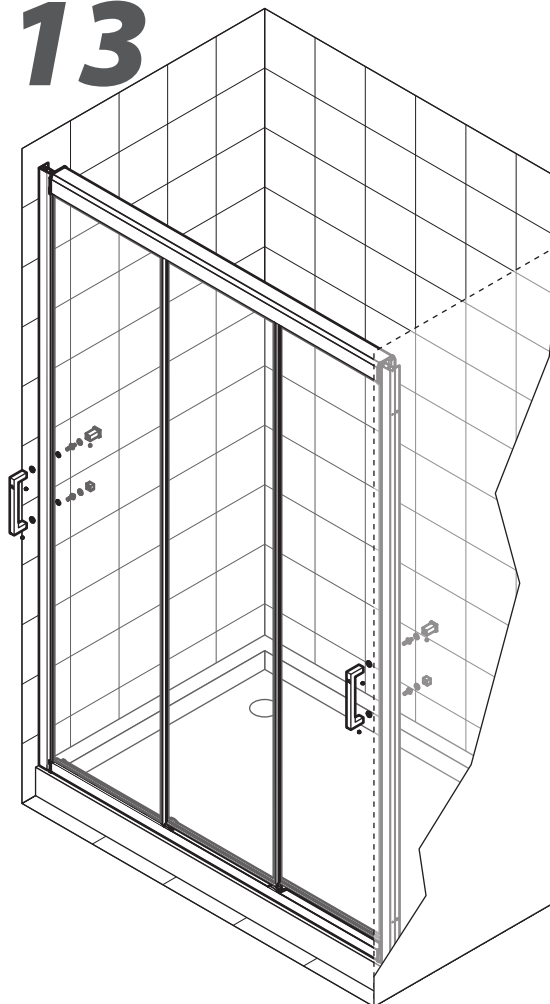


3,5x16 x2

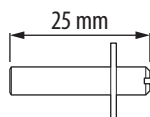
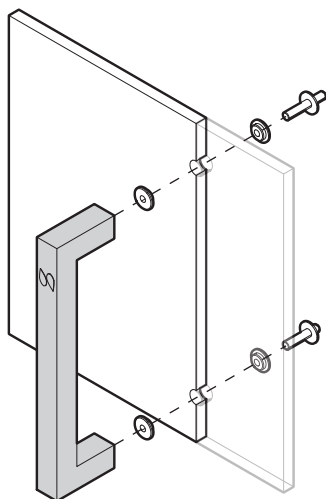
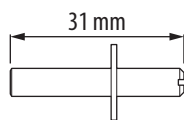


3,5x16 x2

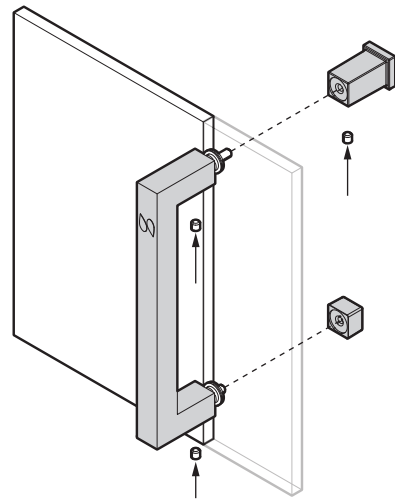
13



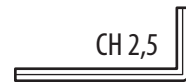
x2



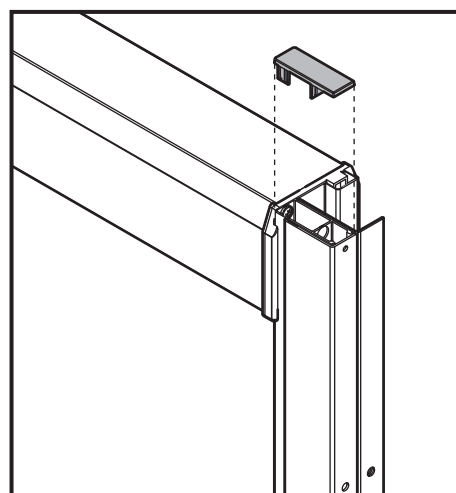
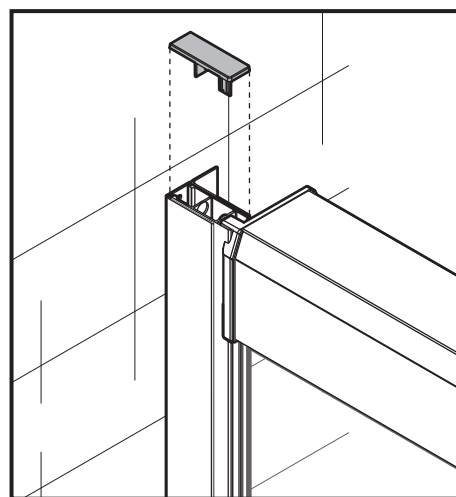
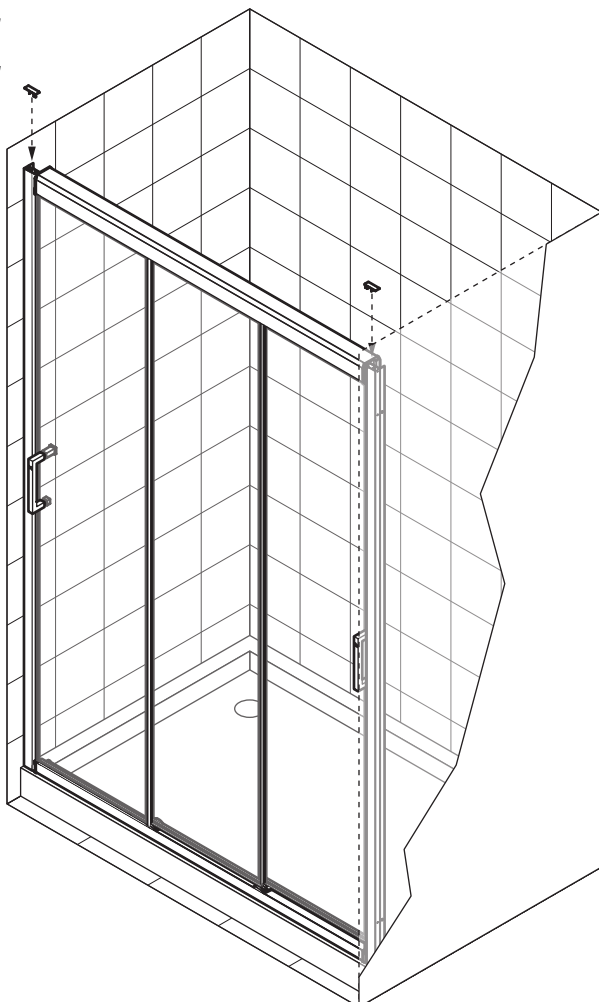
x2



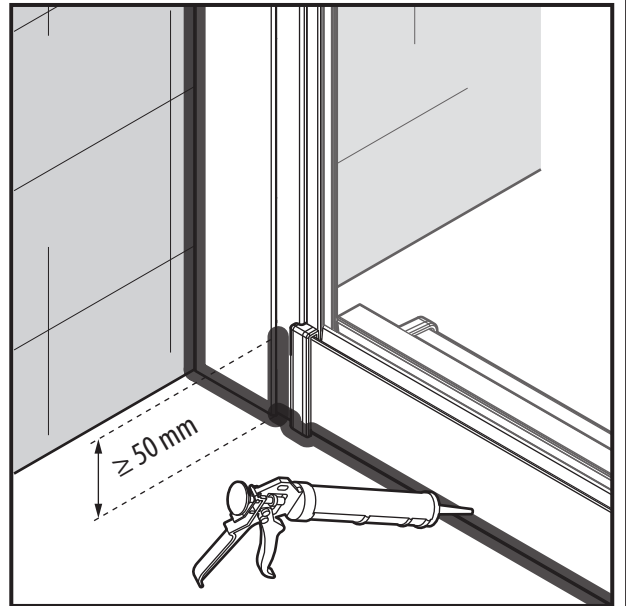
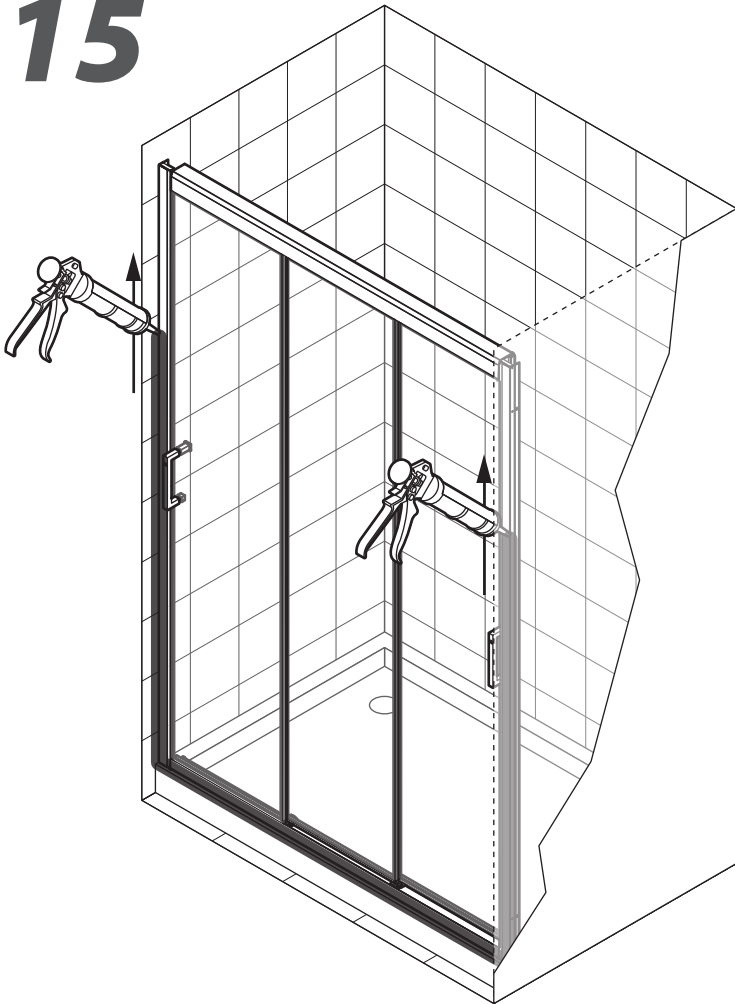
CH 2,5



14



15



16

