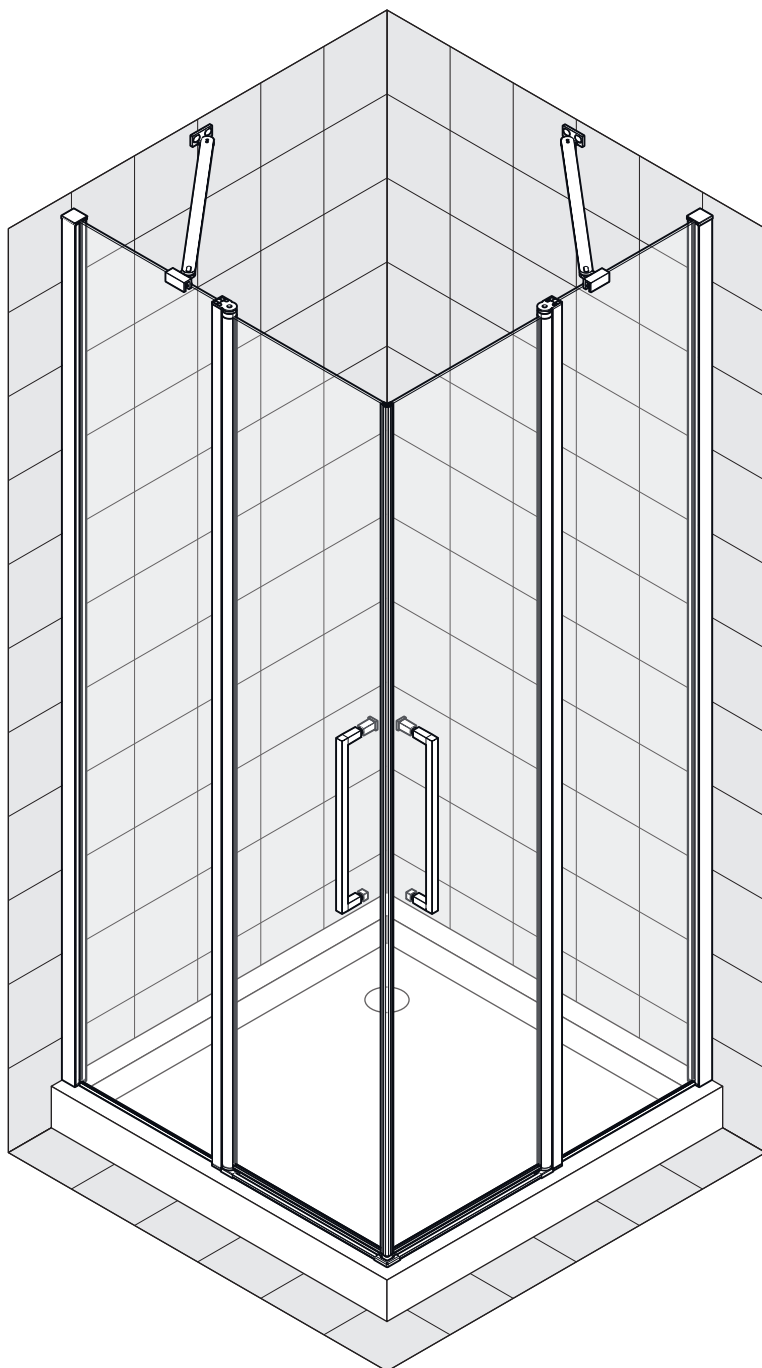
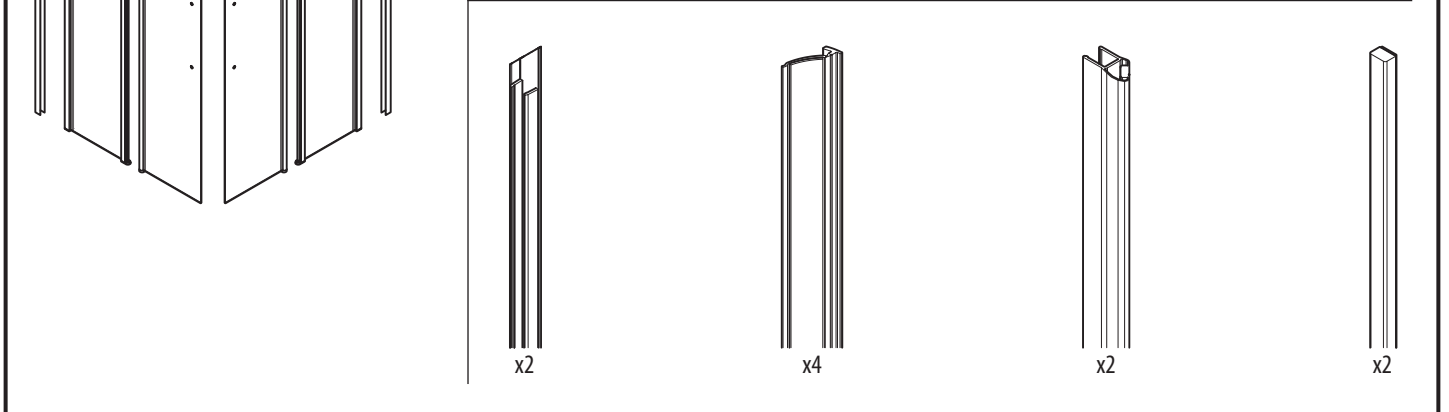
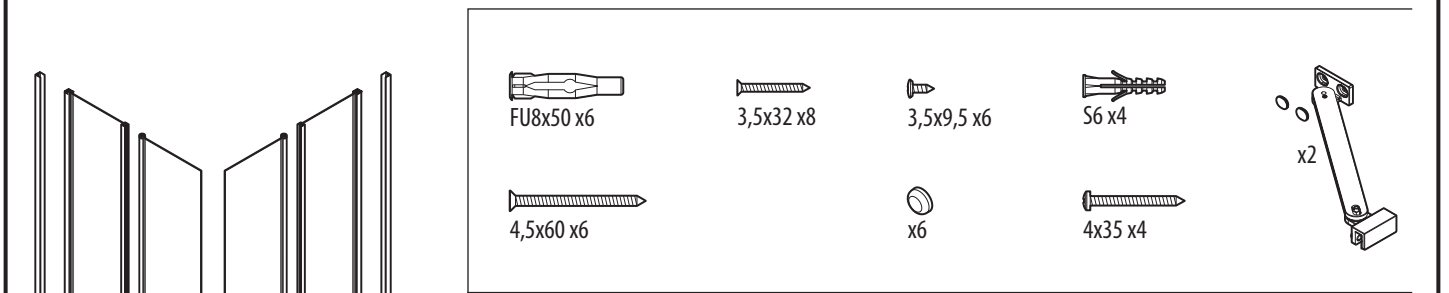
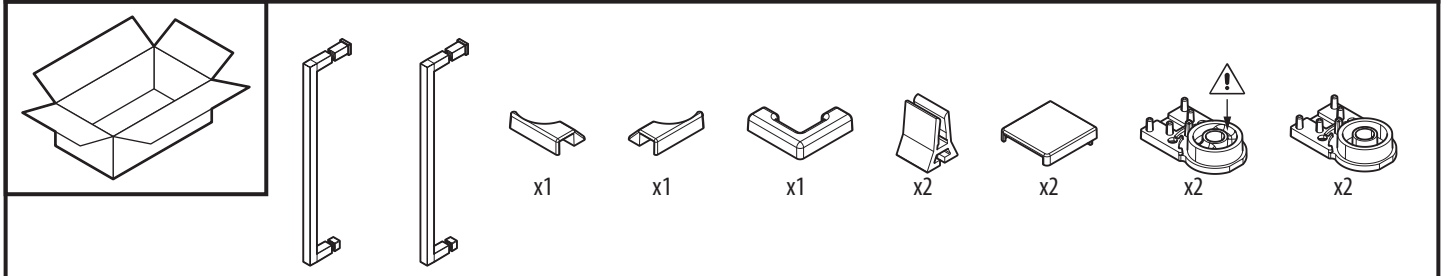
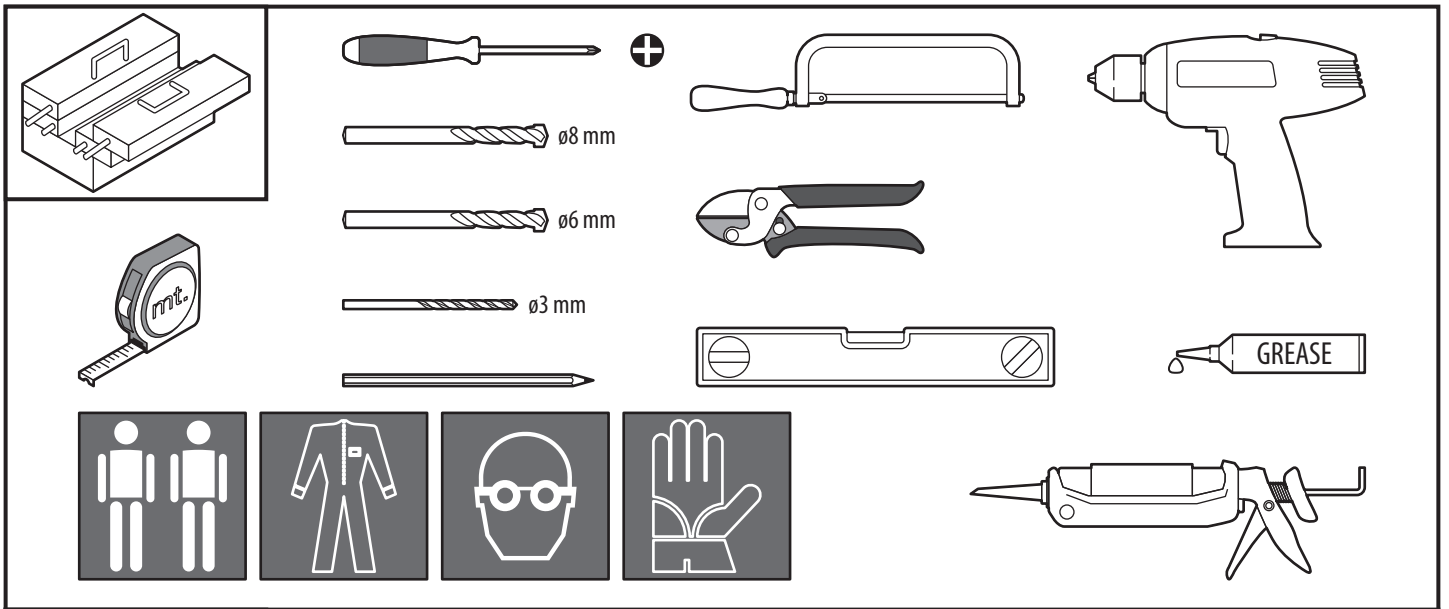


A

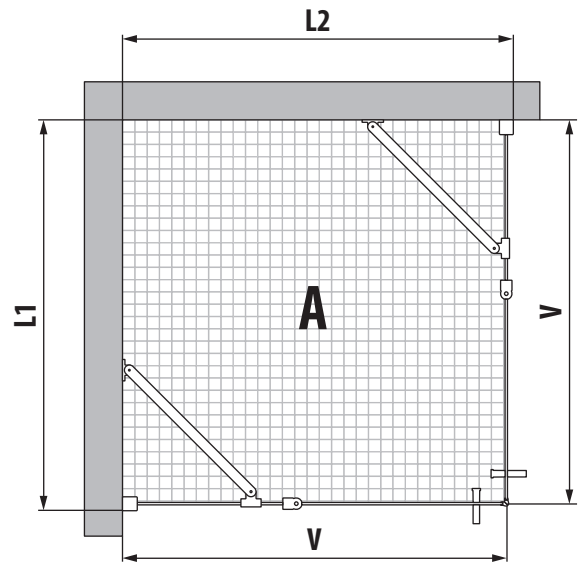
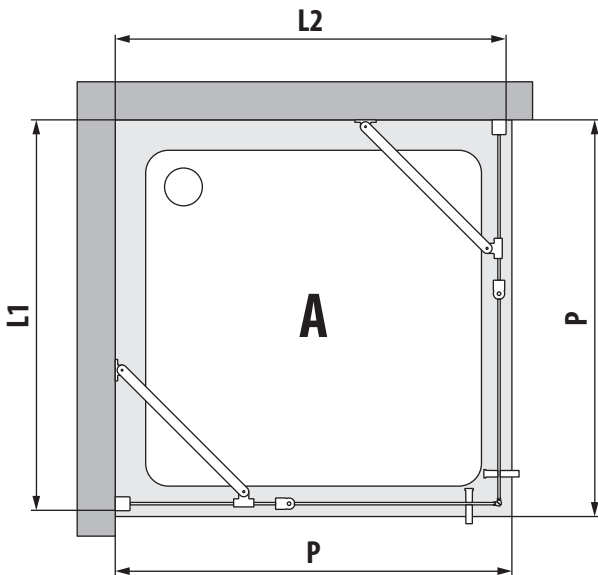


| | |
|--|--|
| | |
| | |
| | |
| | |

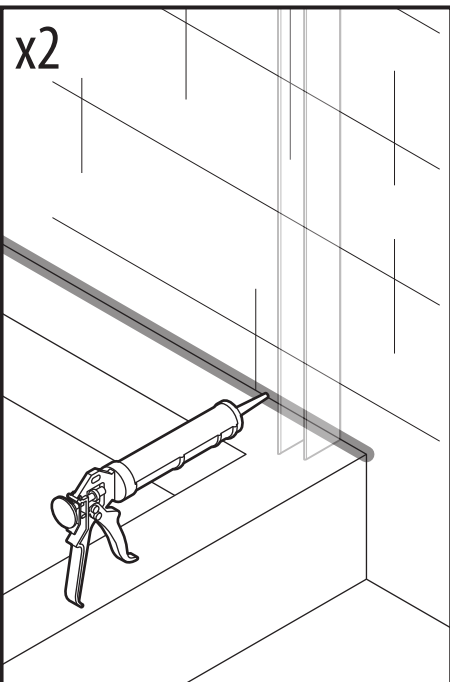
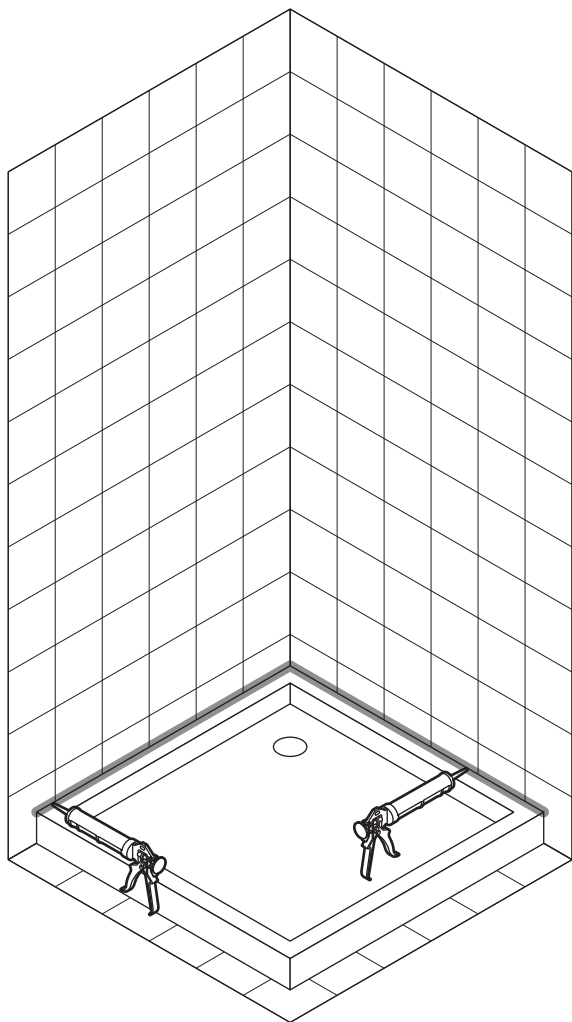


| A | P | L1-L2 mm |
|-----|-----------|-----------|
| 57 | 580-600 | 570-590 |
| 59 | 600-620 | 590-610 |
| 61 | 620-640 | 610-630 |
| 65 | 660-680 | 650-670 |
| 67 | 680-700 | 670-690 |
| 69 | 700-720 | 690-710 |
| 73 | 740-760 | 730-750 |
| 75 | 760-780 | 750-770 |
| 76 | 770-790 | 760-780 |
| 77 | 780-800 | 770-790 |
| 79 | 800-820 | 790-810 |
| 81 | 820-840 | 810-830 |
| 85 | 860-880 | 850-870 |
| 87 | 880-900 | 870-890 |
| 89 | 900-920 | 890-910 |
| 91 | 920-940 | 910-930 |
| 95 | 960-980 | 950-970 |
| 97 | 980-1000 | 970-990 |
| 99 | 1000-1020 | 990-1010 |
| 101 | 1020-1040 | 1010-1030 |

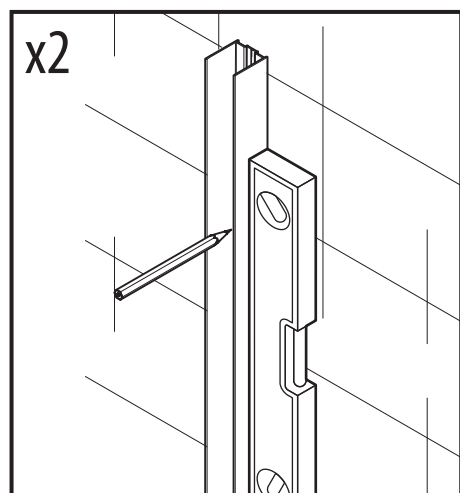
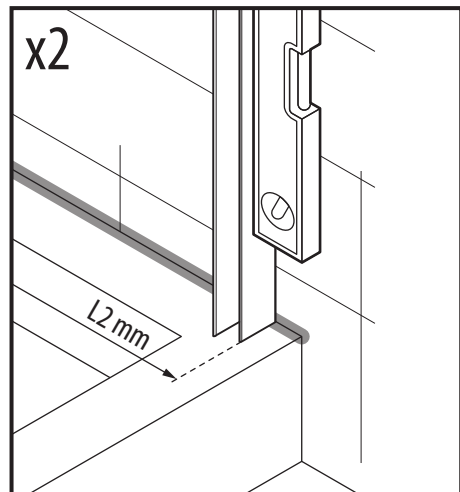
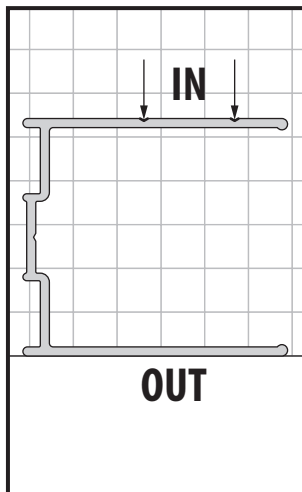
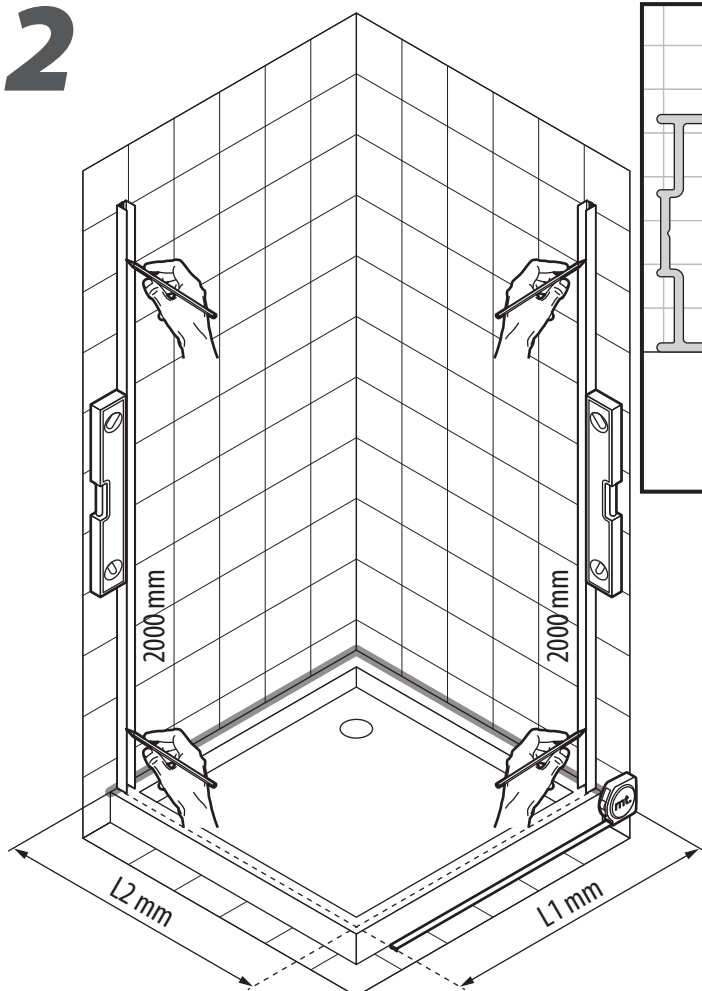
| A | V | L1-L2 mm |
|-----|----------|-----------|
| 57 | 557-577 | 570-590 |
| 59 | 577-597 | 590-610 |
| 61 | 597-617 | 610-630 |
| 65 | 637-657 | 650-670 |
| 67 | 657-677 | 670-690 |
| 69 | 677-697 | 690-710 |
| 73 | 717-737 | 730-750 |
| 75 | 737-757 | 750-770 |
| 76 | 747-767 | 760-780 |
| 77 | 757-777 | 770-790 |
| 79 | 777-797 | 790-810 |
| 81 | 797-817 | 810-830 |
| 85 | 837-857 | 850-870 |
| 87 | 857-877 | 870-890 |
| 89 | 877-897 | 890-910 |
| 91 | 897-917 | 910-930 |
| 95 | 937-957 | 950-970 |
| 97 | 957-977 | 970-990 |
| 99 | 977-997 | 990-1010 |
| 101 | 997-1017 | 1010-1030 |



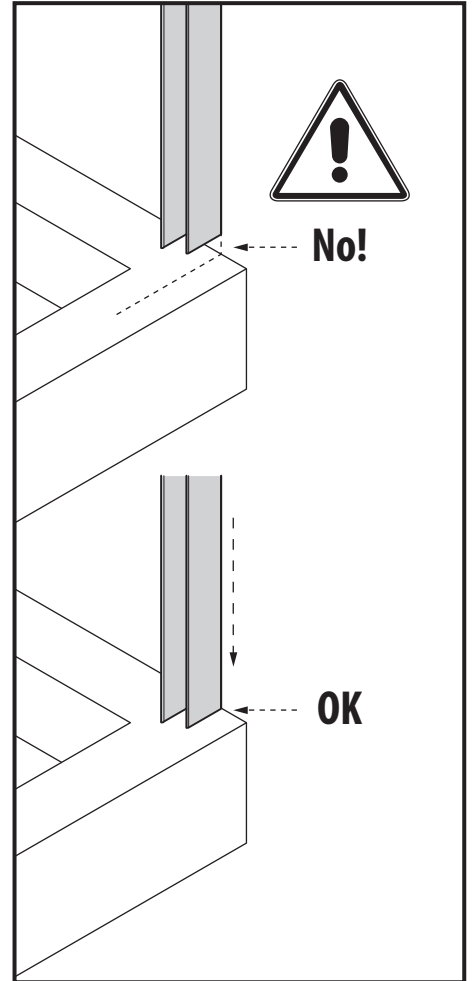
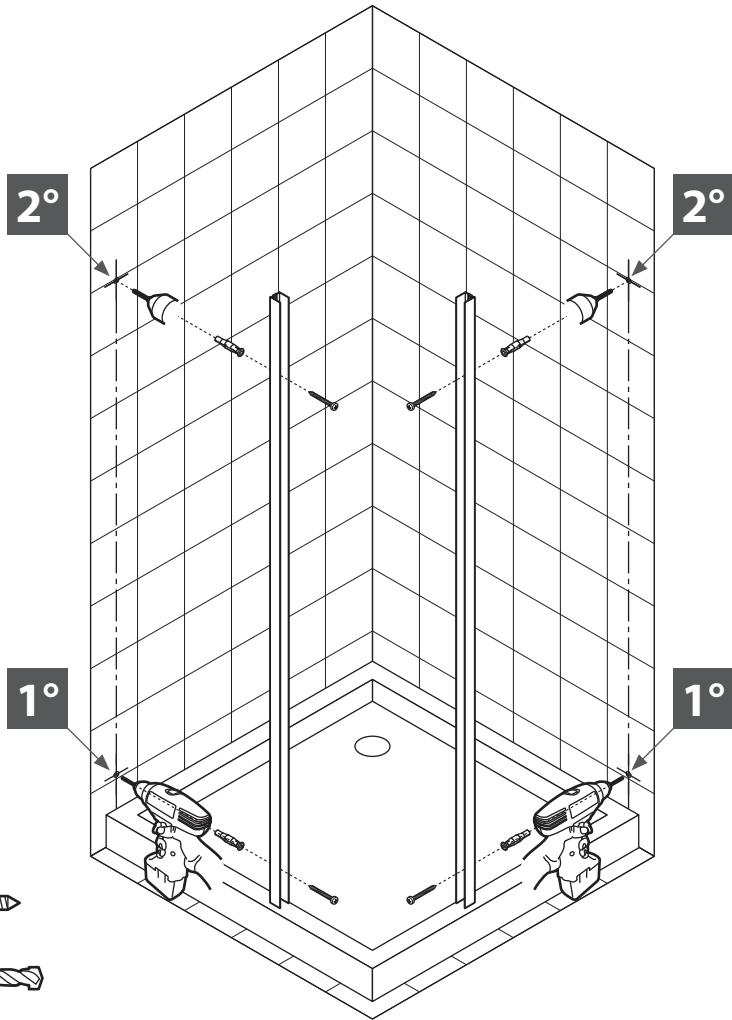
1



2



3



FU8x50 x4

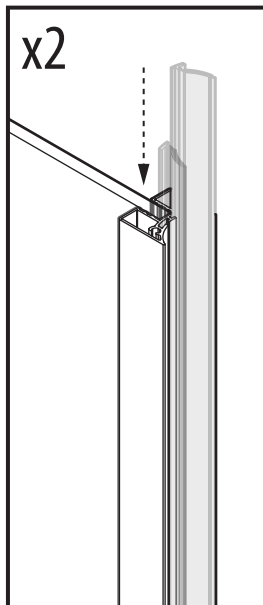
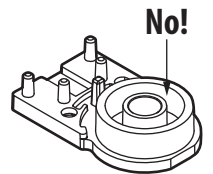
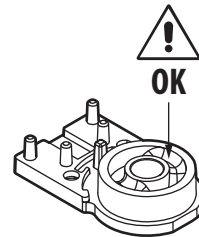
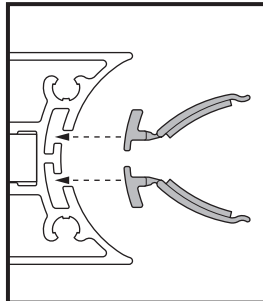
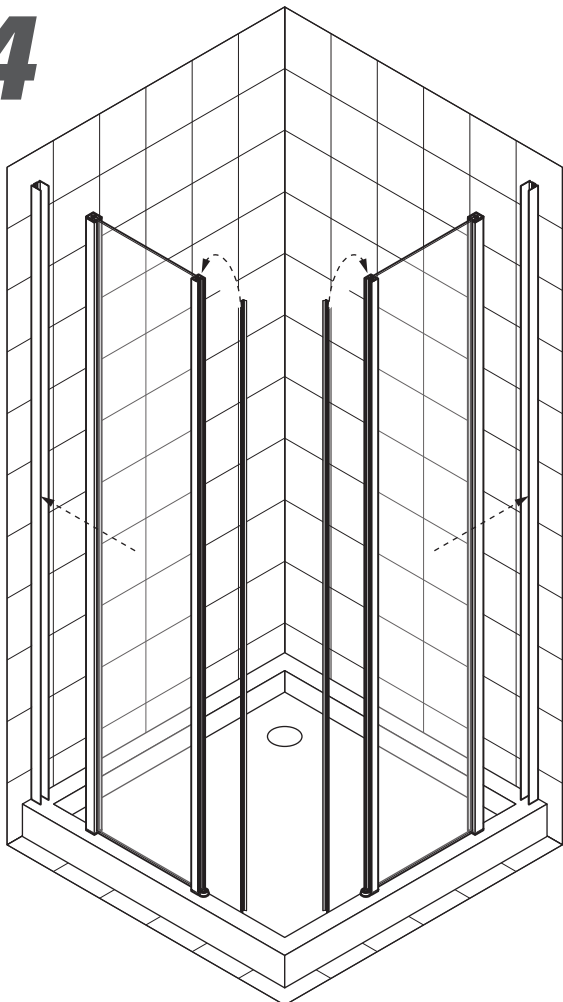


4,5x60 x4

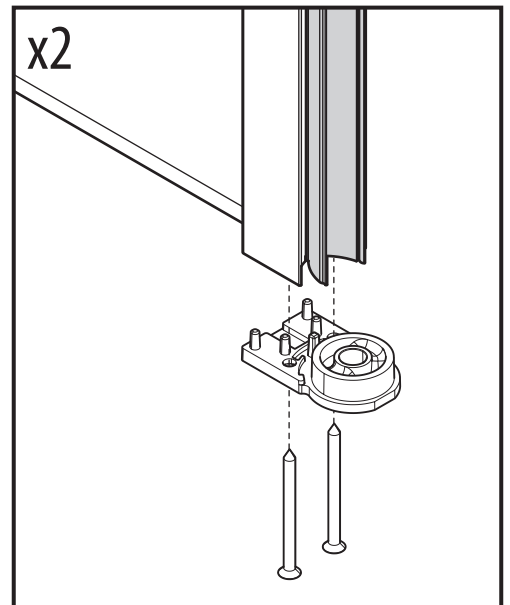


ø8 mm

4



x2



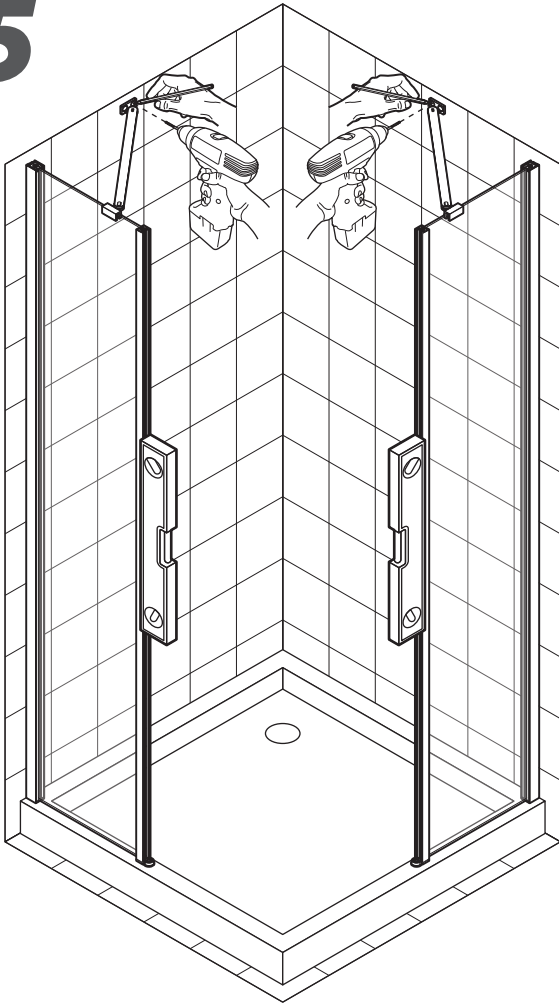
x2



3,5x32 x4

5

5



M5 x2



M5x8 x2



M5x10 x2



M5x16 x2



S6 x4

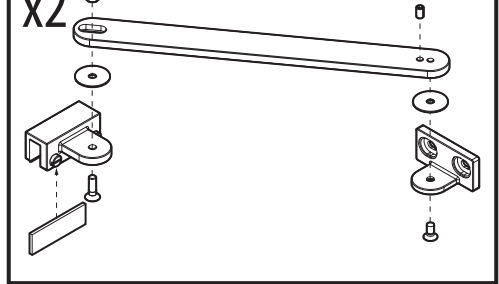


4x35 x4

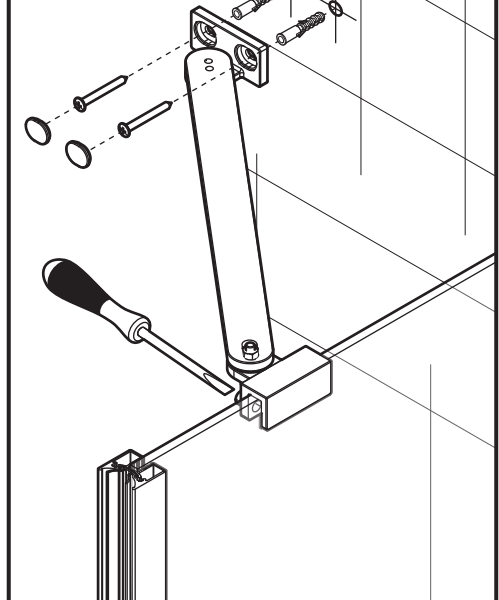


ø6 mm

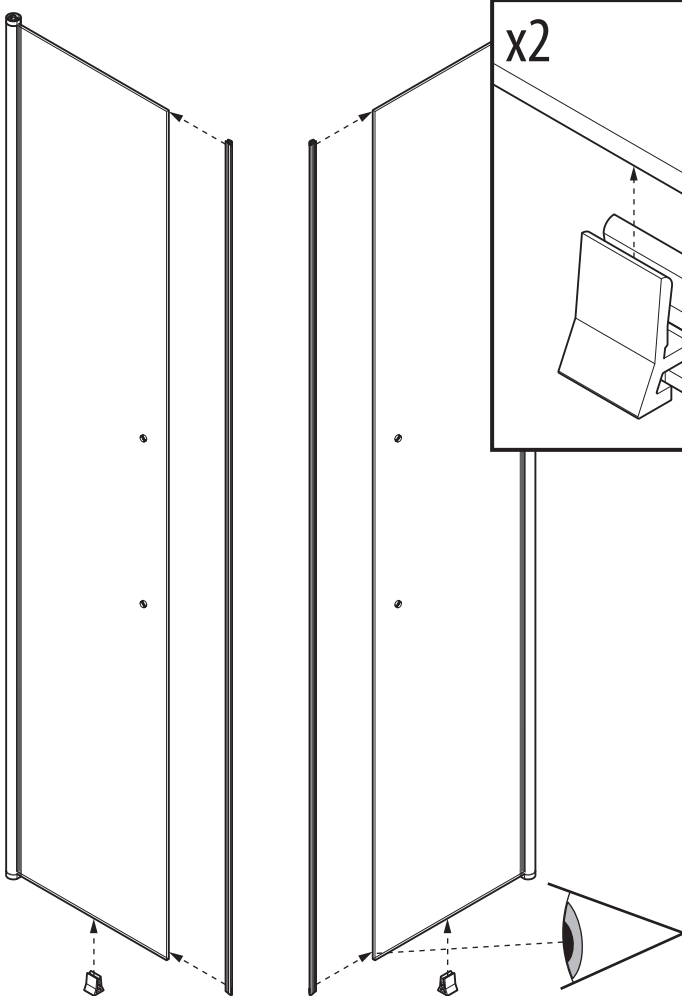
x2



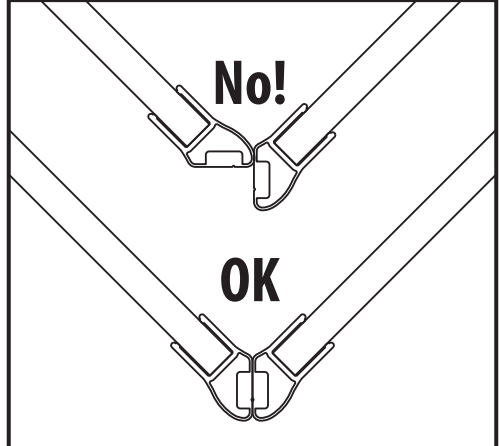
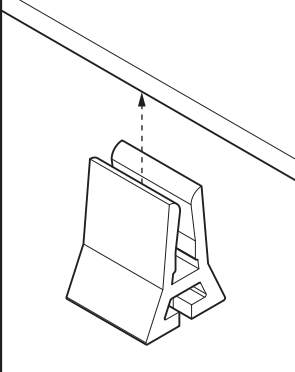
x2



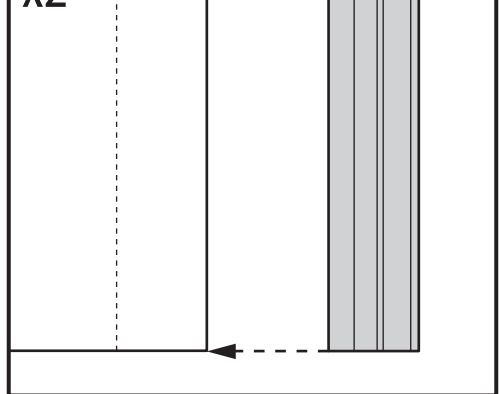
6



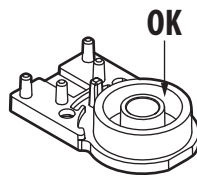
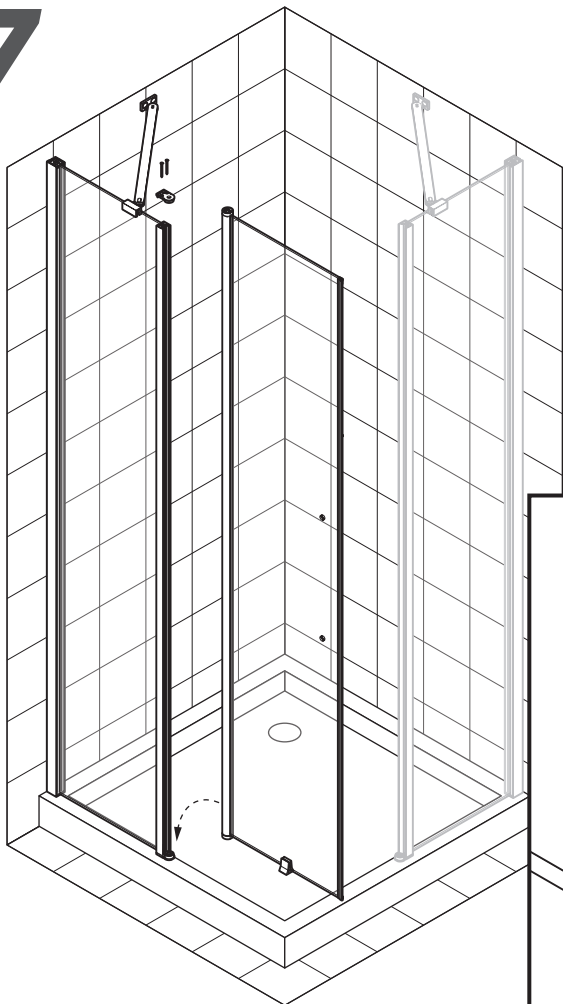
x2



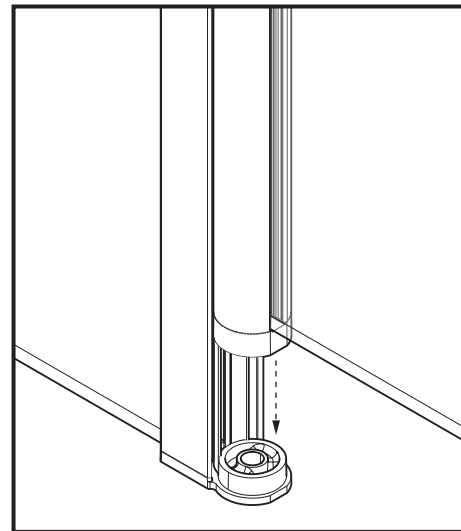
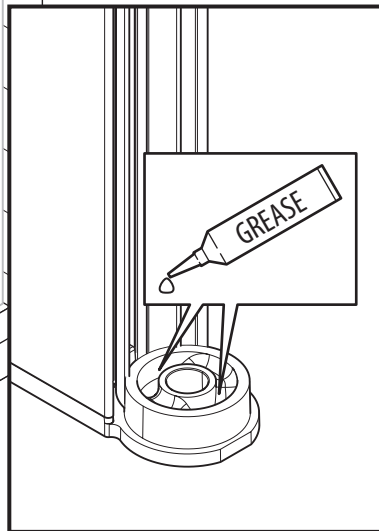
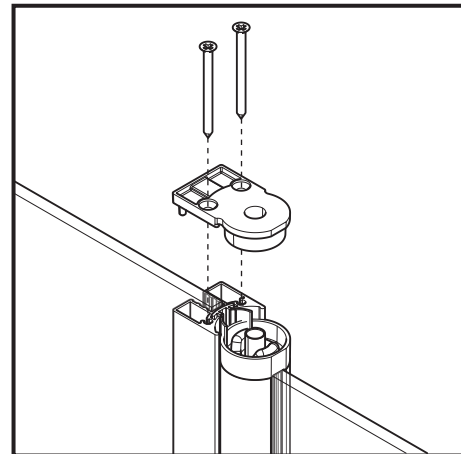
x2



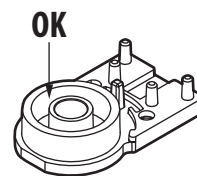
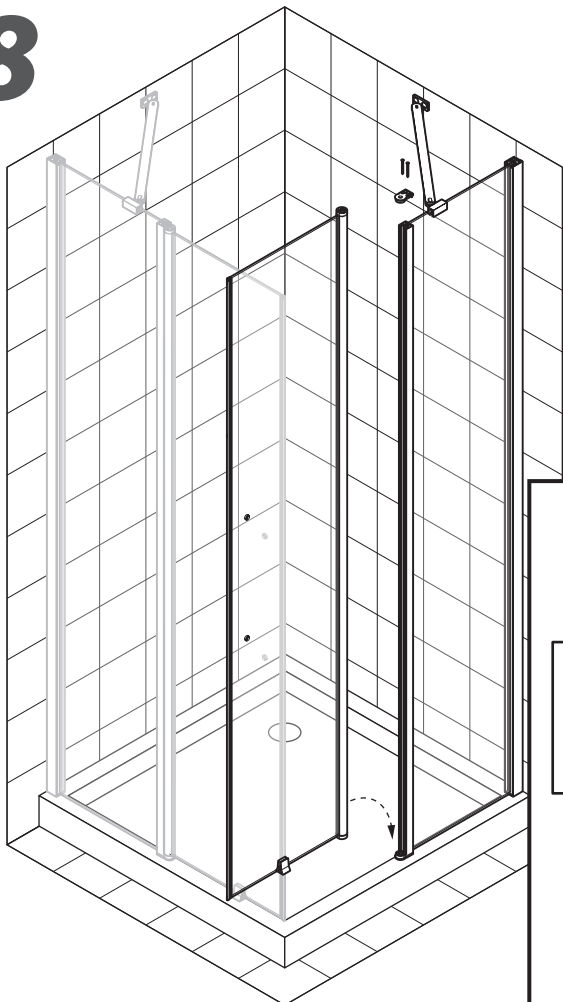
7



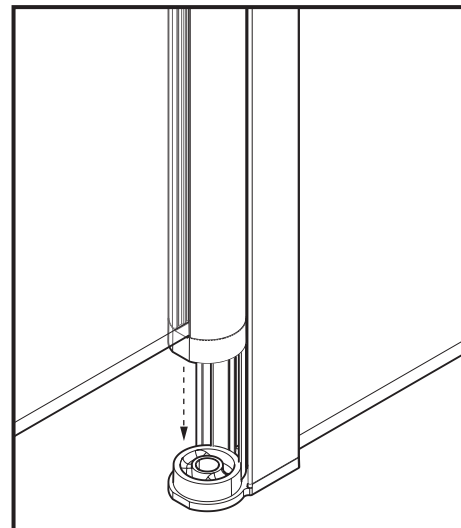
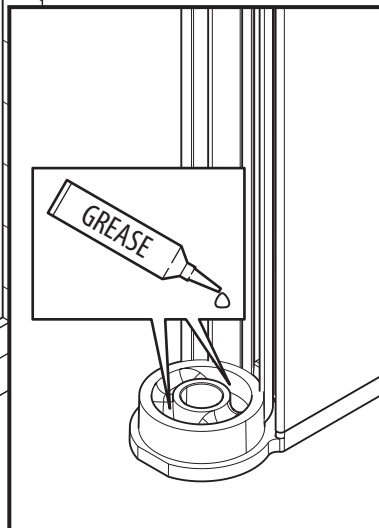
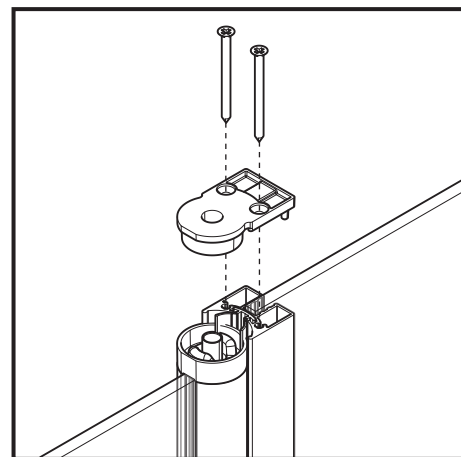
3,5x32 x2



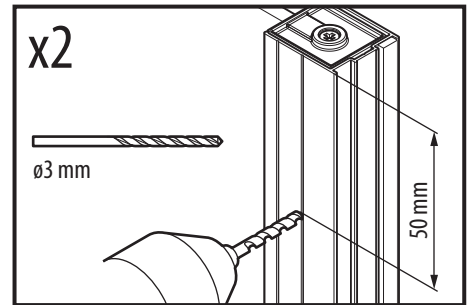
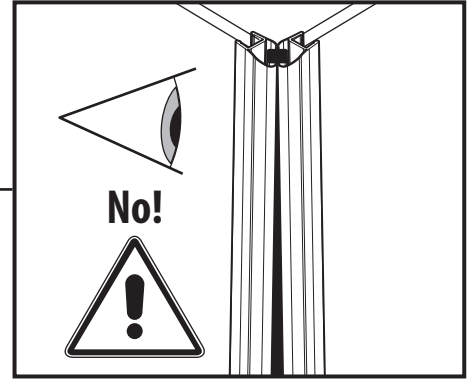
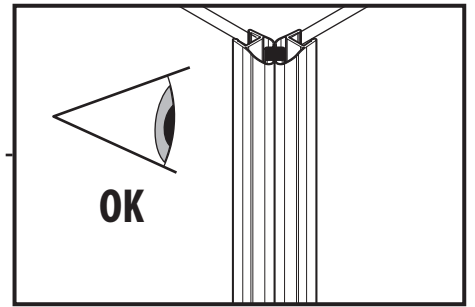
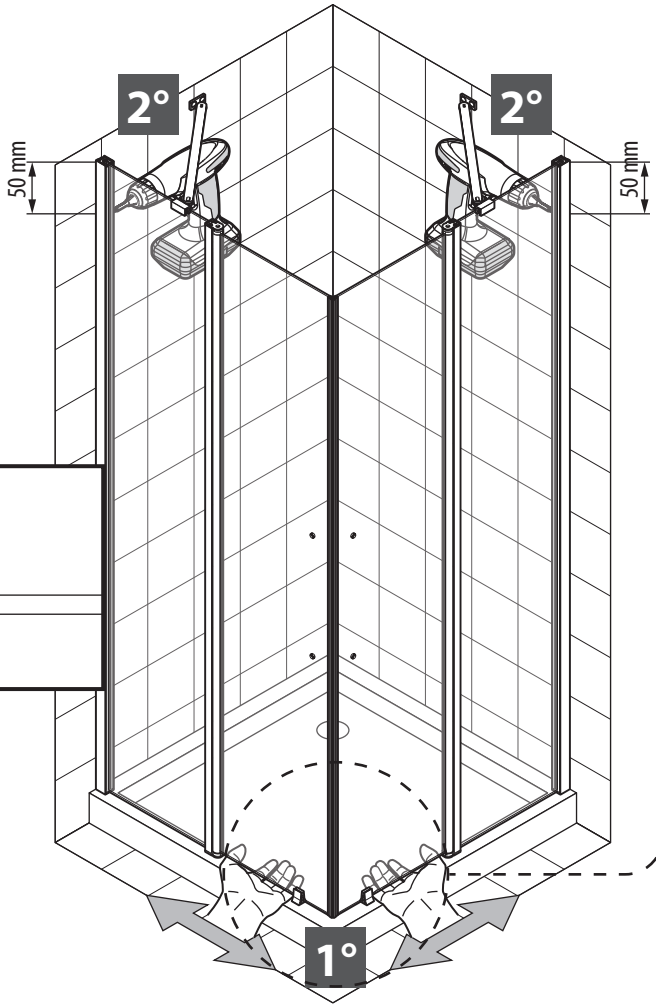
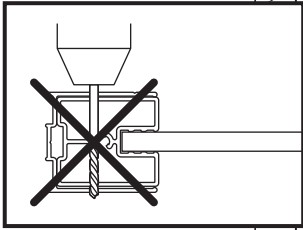
8



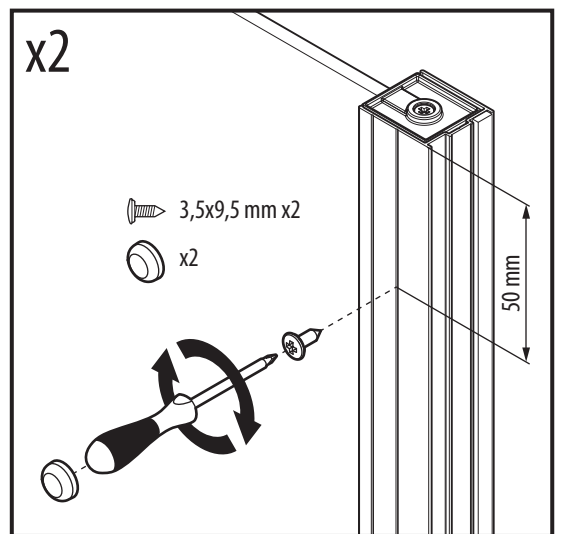
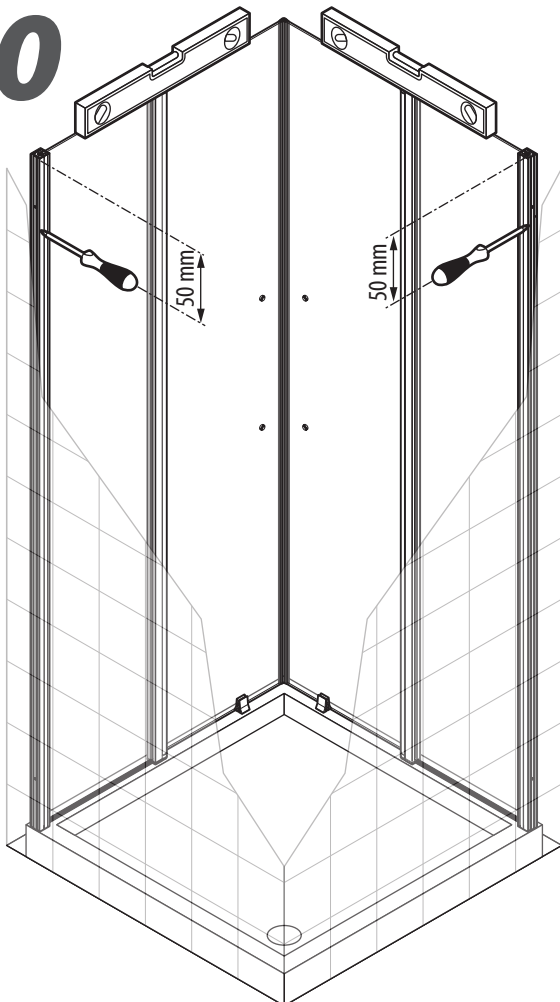
3,5x32 x2



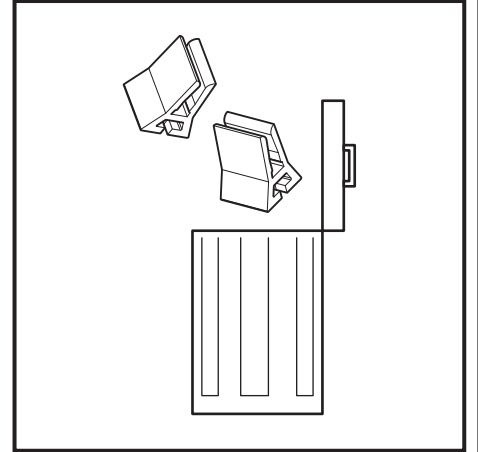
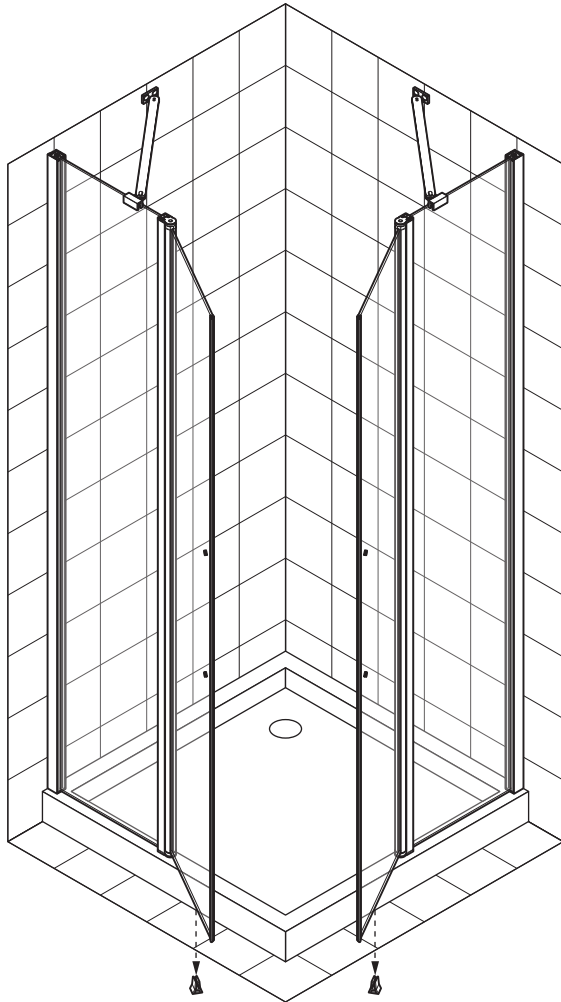
9



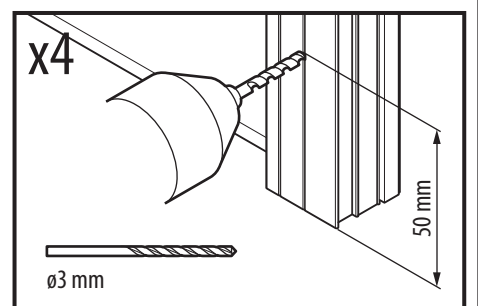
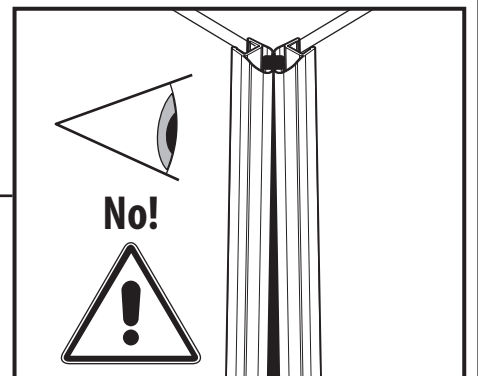
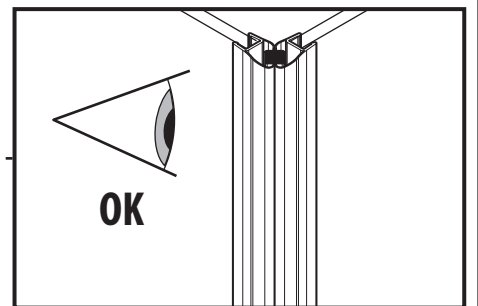
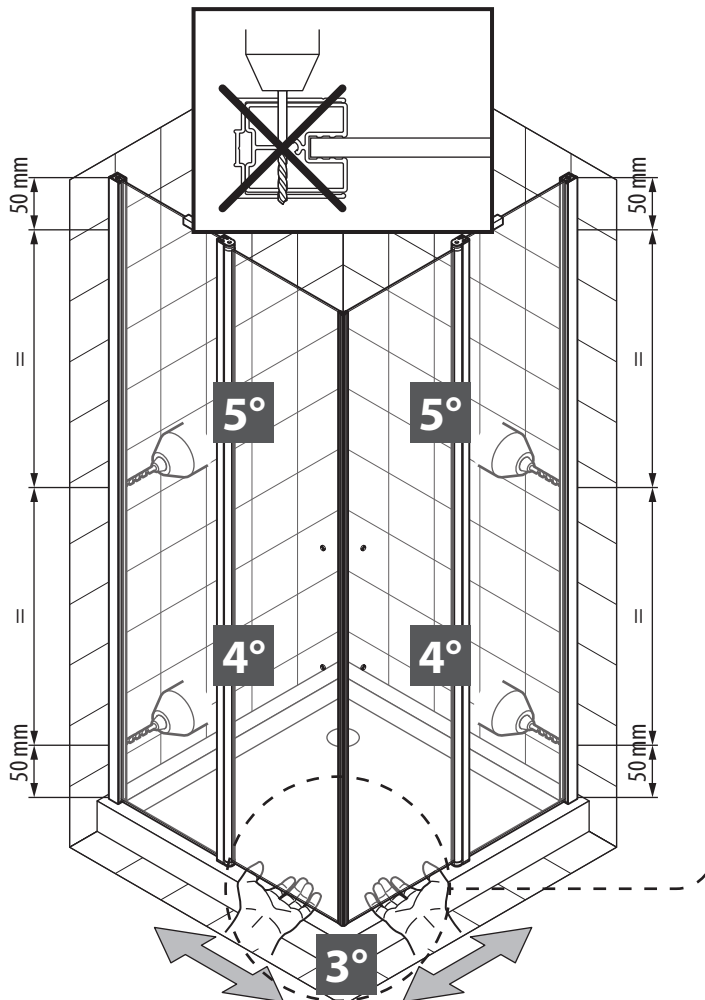
10



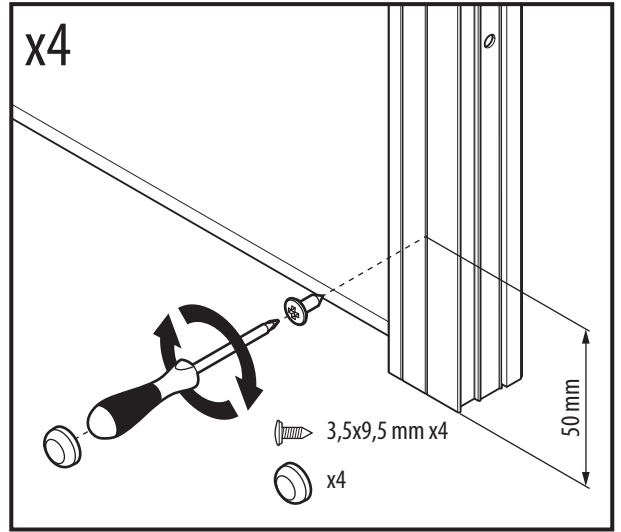
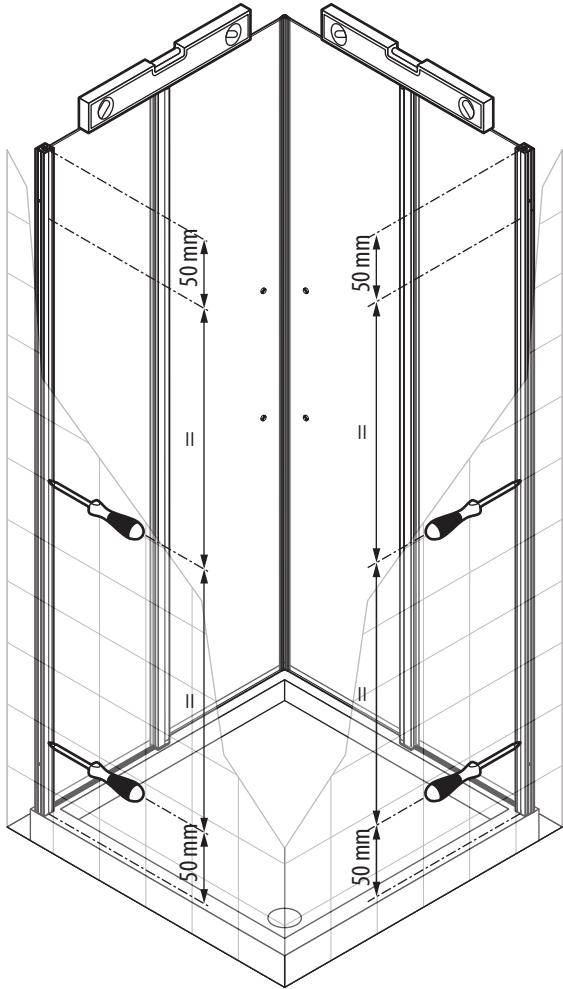
11



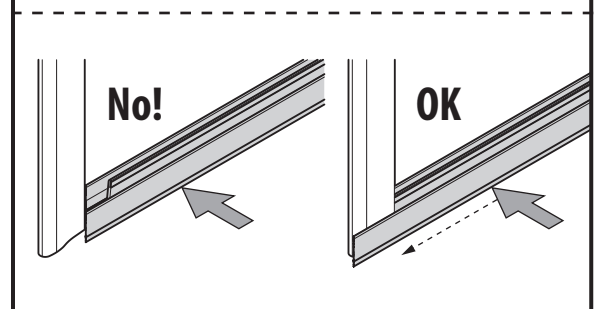
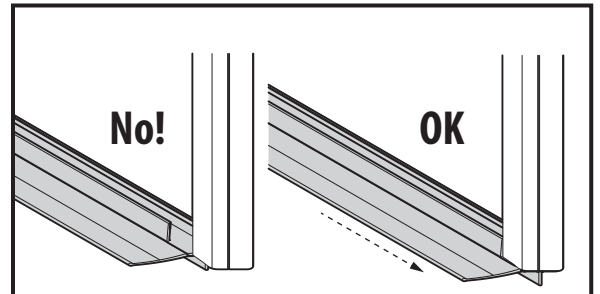
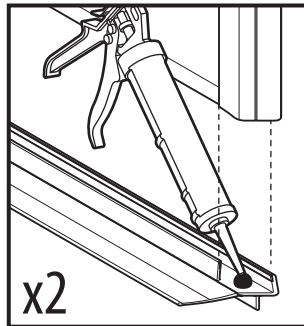
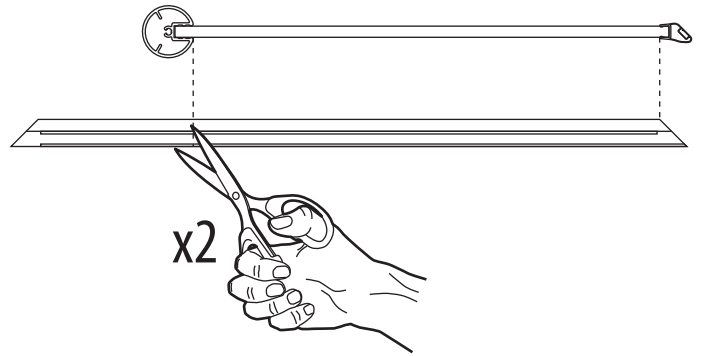
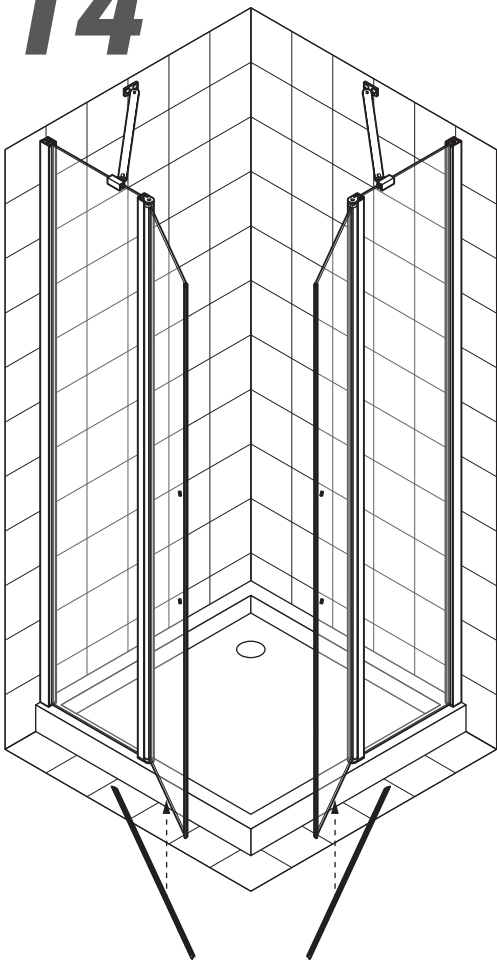
12



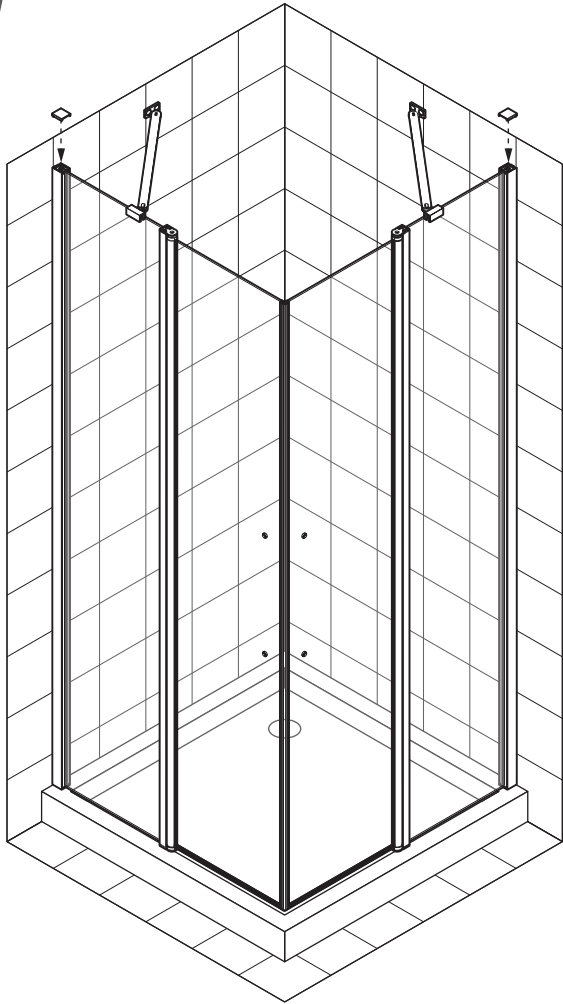
13



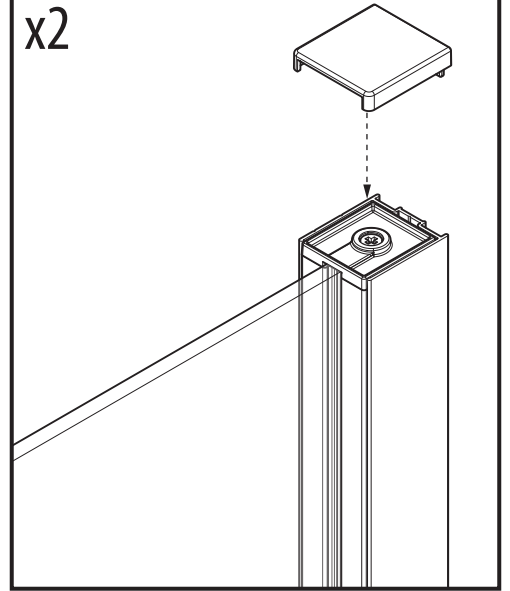
14



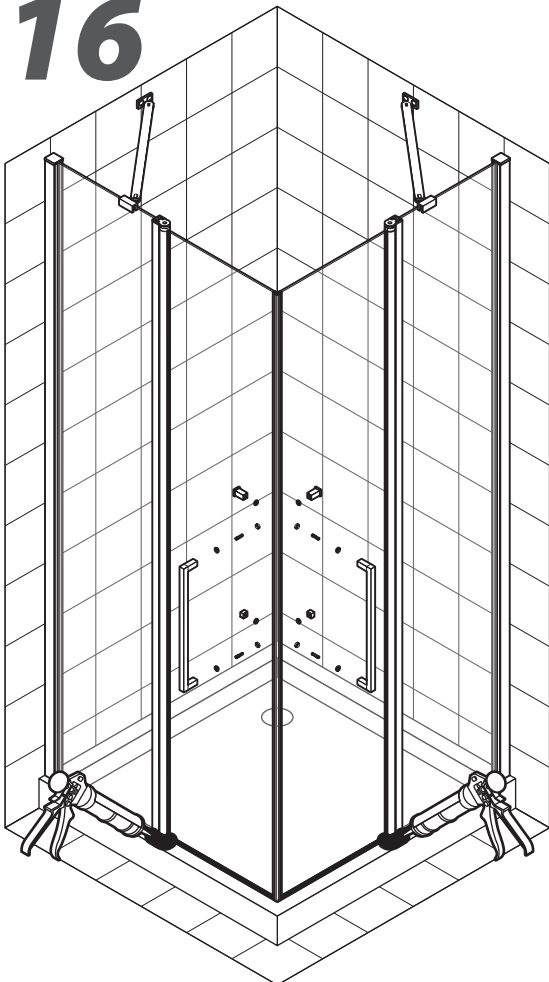
15



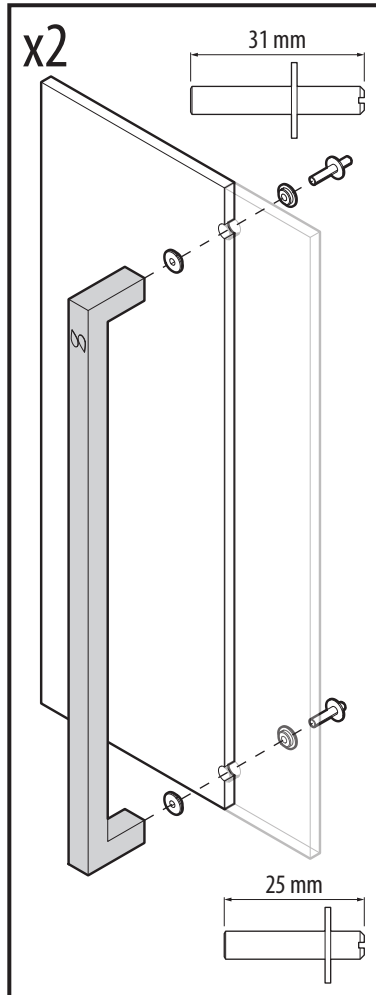
x2



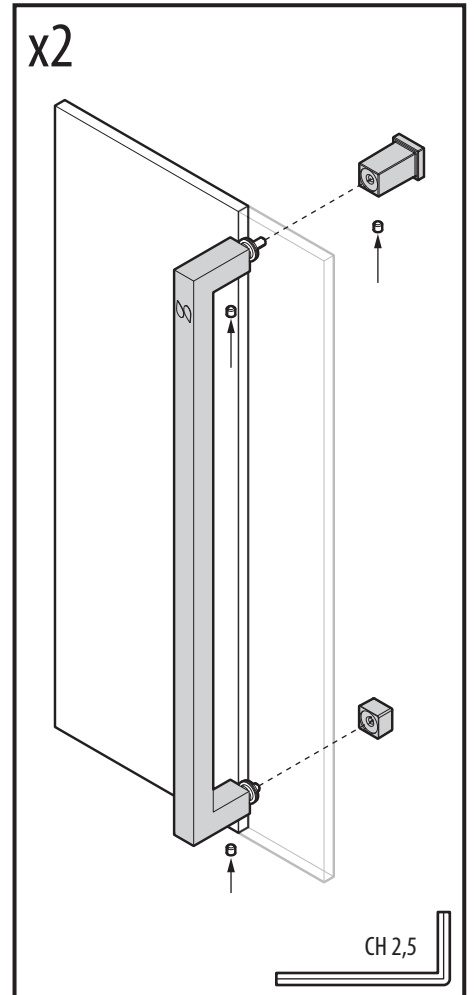
16



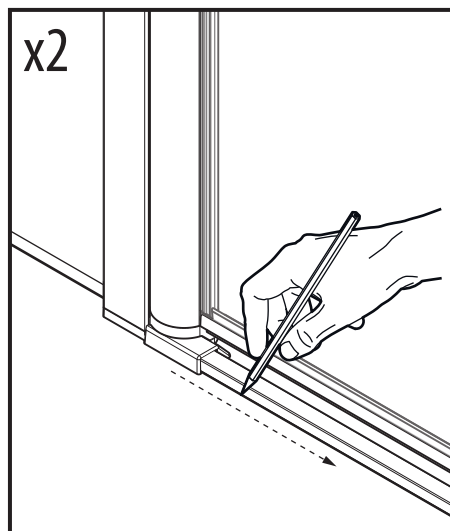
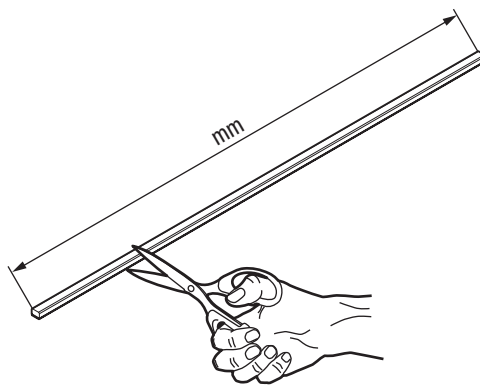
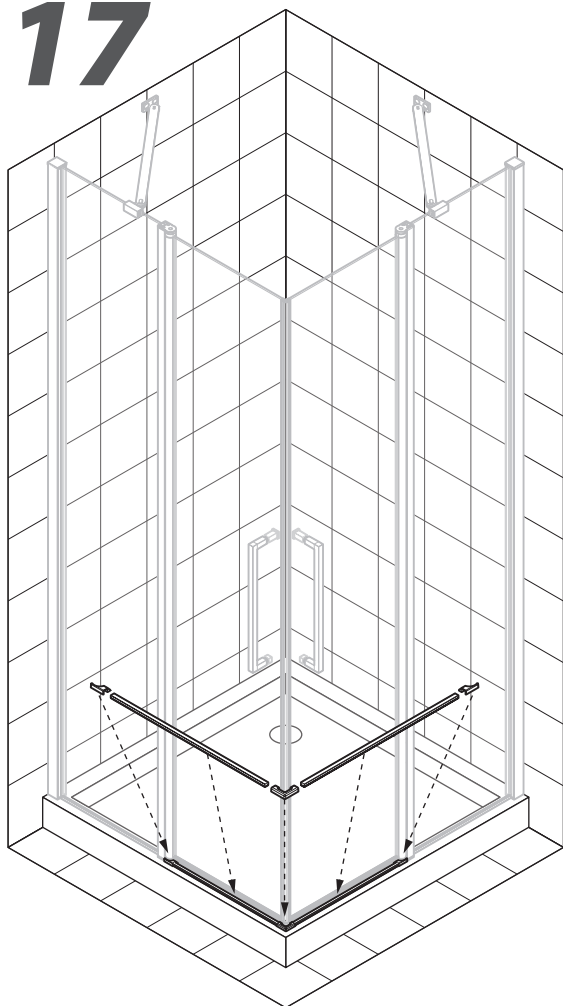
x2



x2

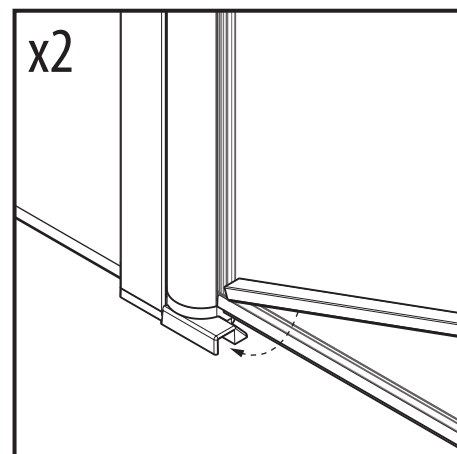
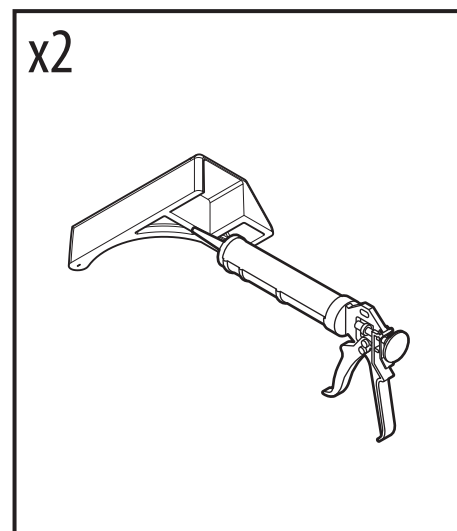
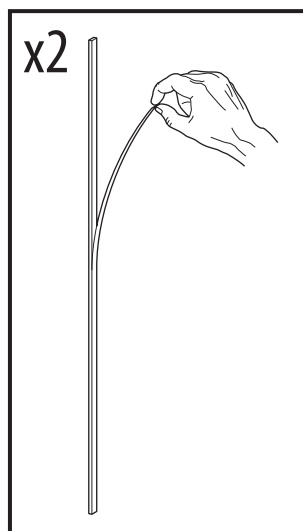
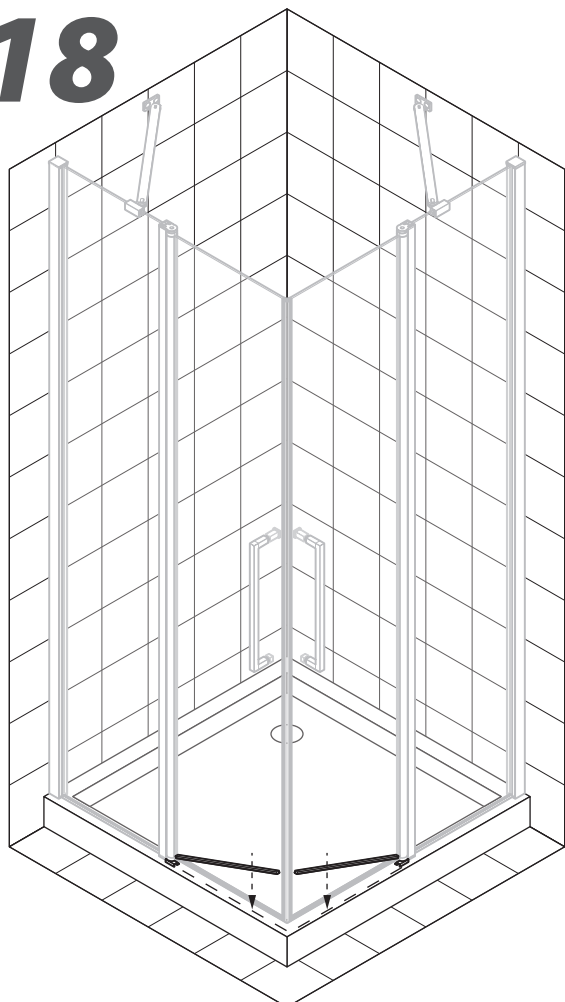


17

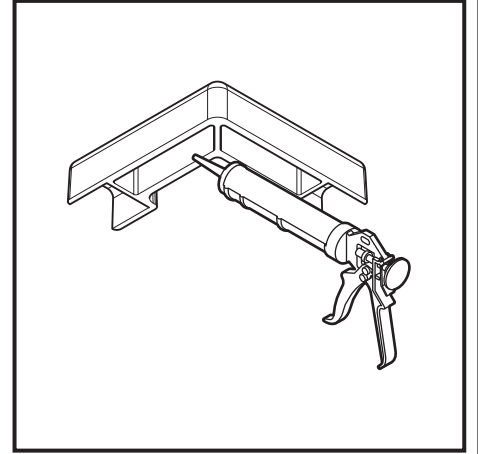
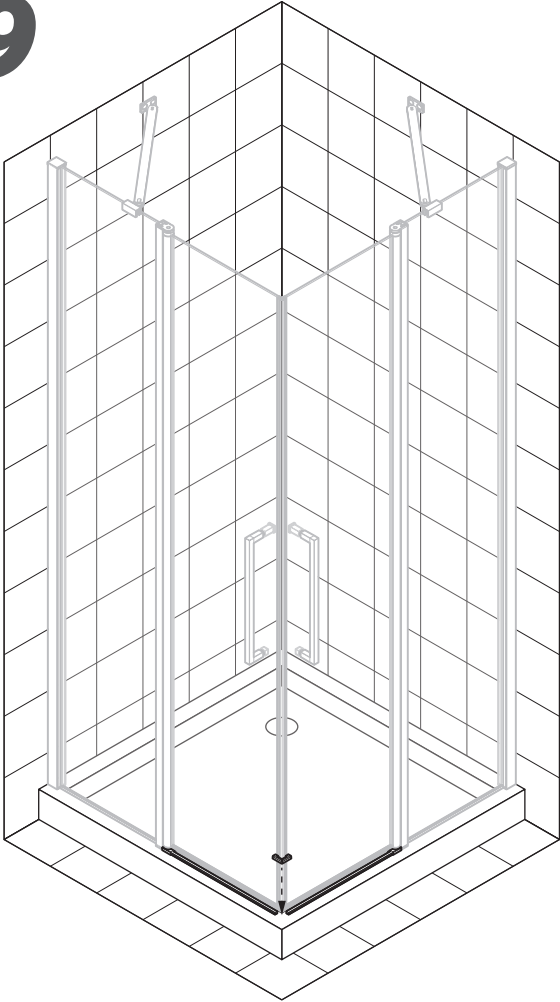


| mod. A | mm |
|---------|-----|
| 57-59 | 253 |
| 59-61 | 273 |
| 61-63 | 293 |
| 65-67 | 333 |
| 67-69 | 353 |
| 69-71 | 373 |
| 73-75 | 333 |
| 75-77 | 353 |
| 76-78 | 363 |
| 77-79 | 373 |
| 79-81 | 393 |
| 81-83 | 413 |
| 85-87 | 373 |
| 87-89 | 393 |
| 89-91 | 413 |
| 91-93 | 433 |
| 95-97 | 473 |
| 97-99 | 493 |
| 99-101 | 513 |
| 101-103 | 533 |

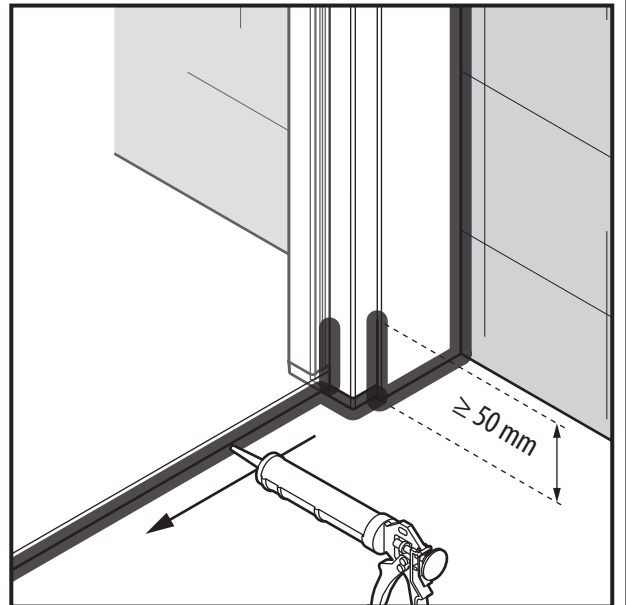
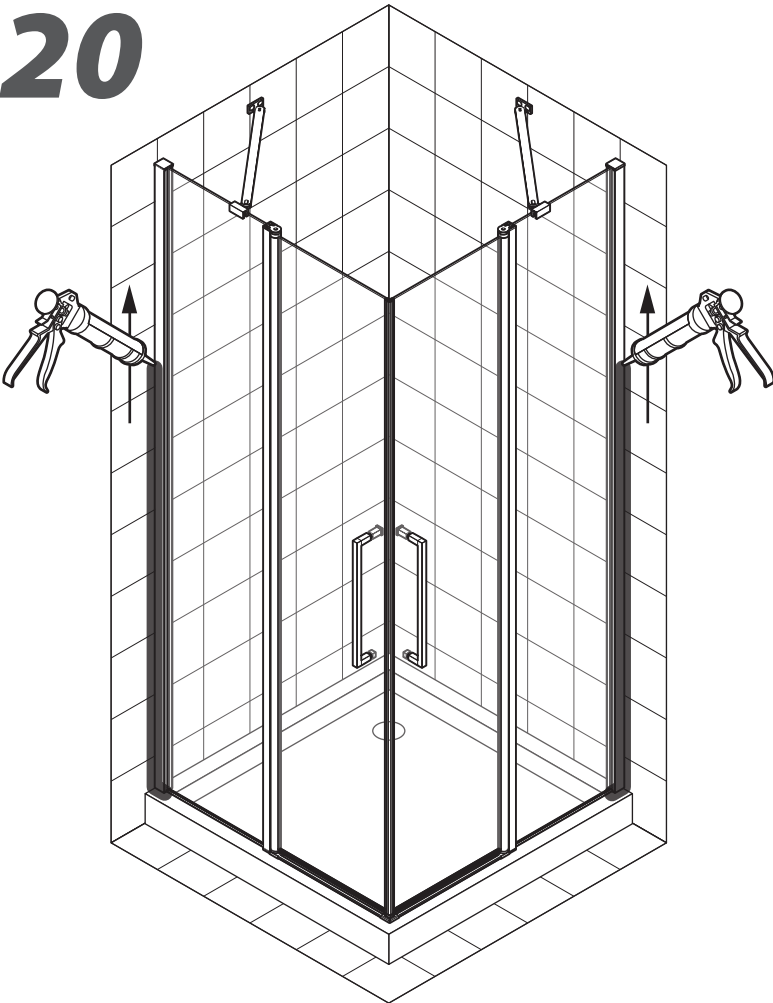
18



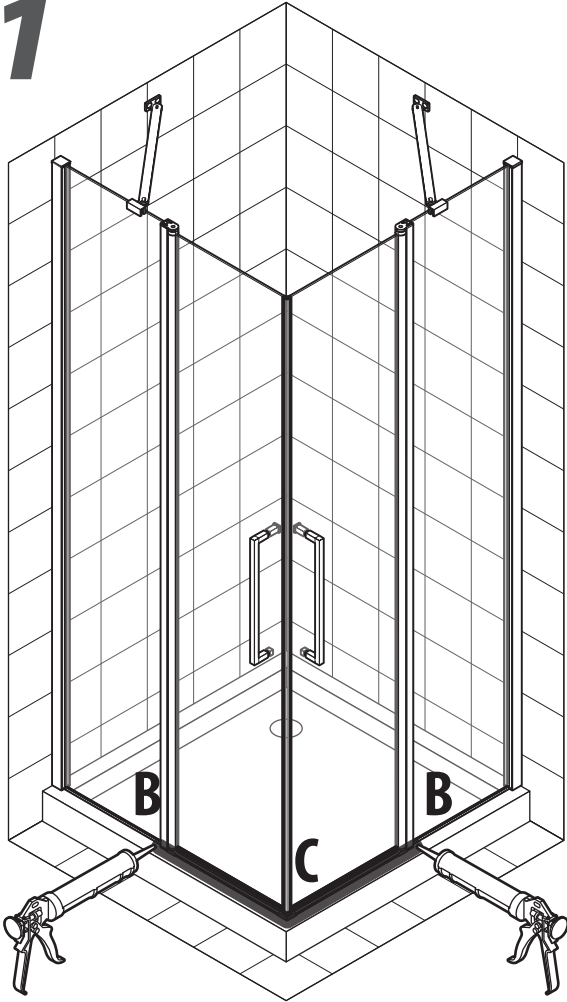
19



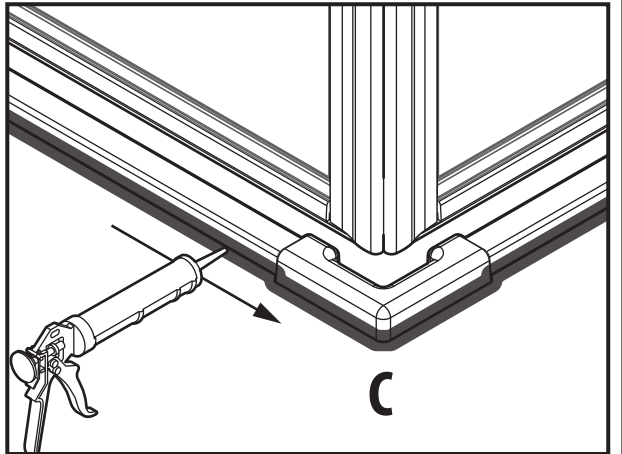
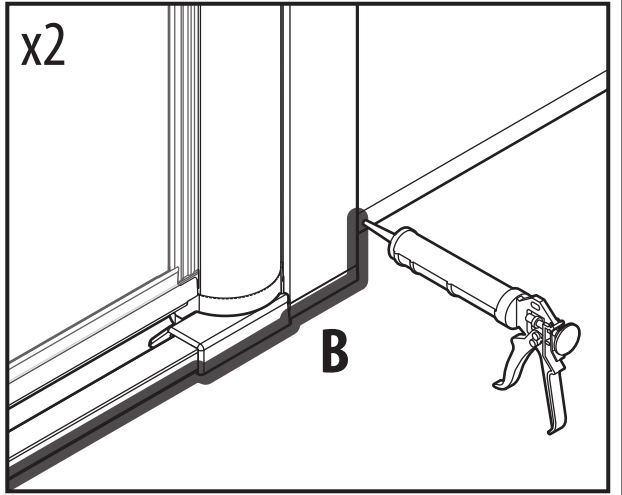
20



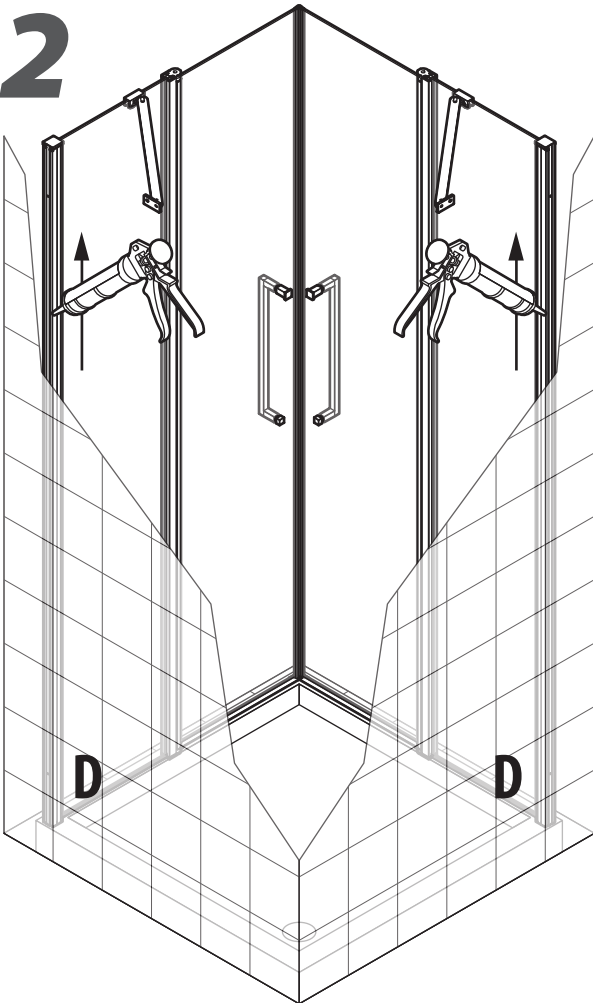
21



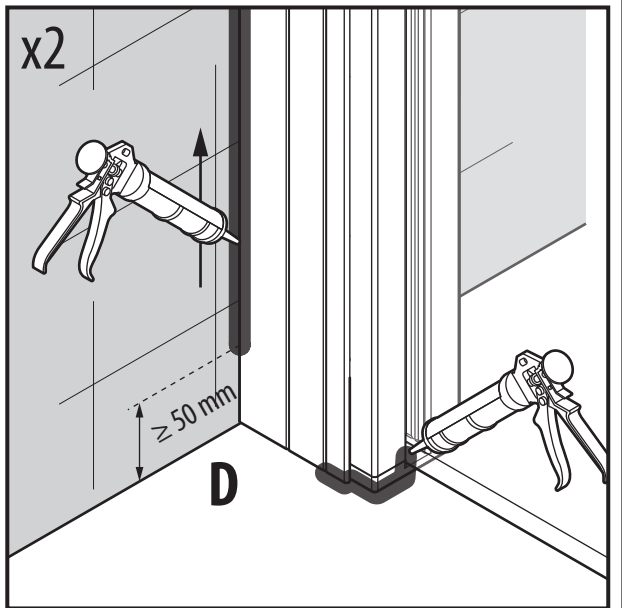
x2



22



x2



NOVELLINI S.p.A.

Via Mantova, 1023 - 46034 Romanore di Borgo Virgilio (Mn)

Tel. +39 0376 6421

e-mail: info@novellini.com; safety@novellini.com

www.novellini.com

60120DY2_04 (04 2026)