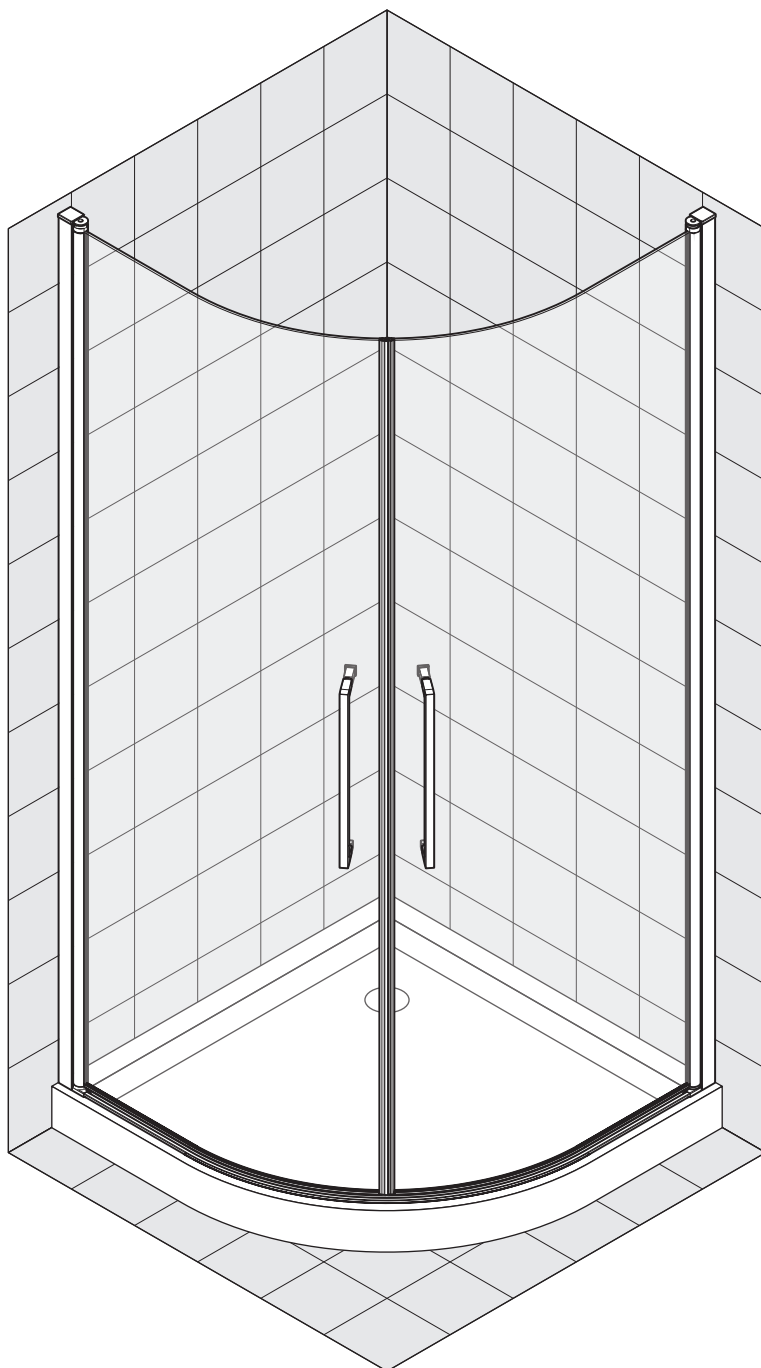
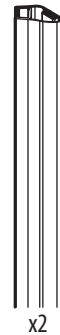
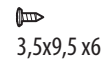
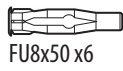
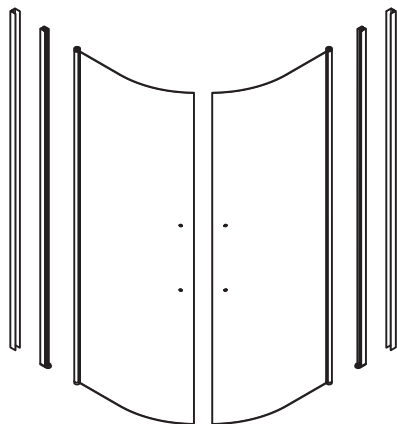
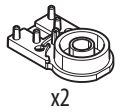
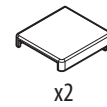
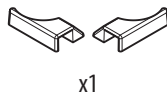
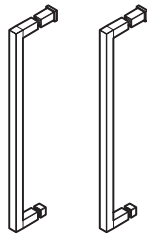
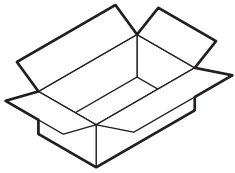
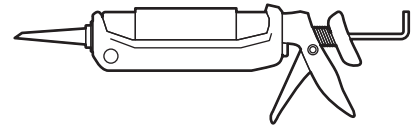
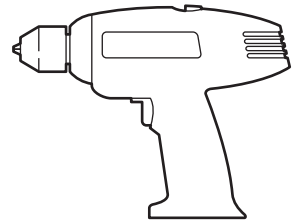
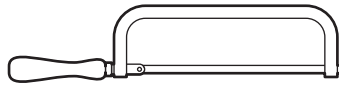
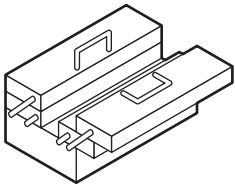


R2 LUX

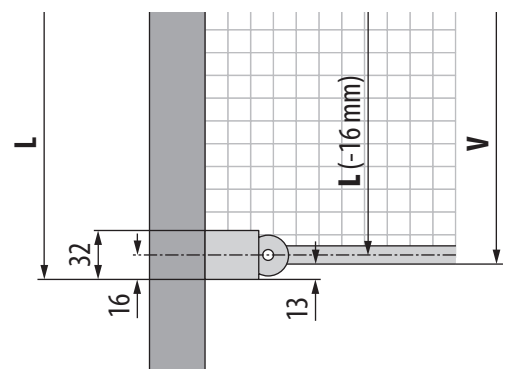
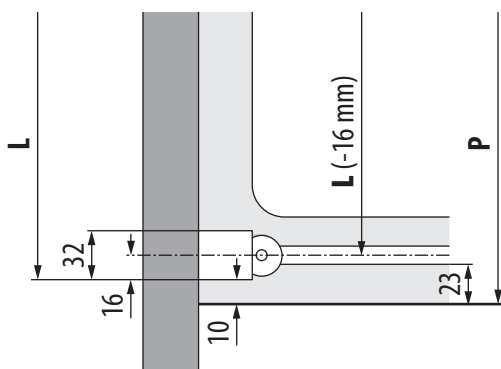
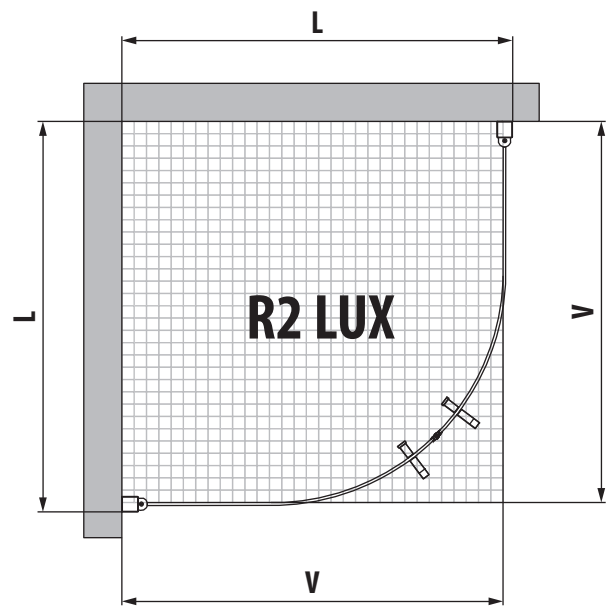
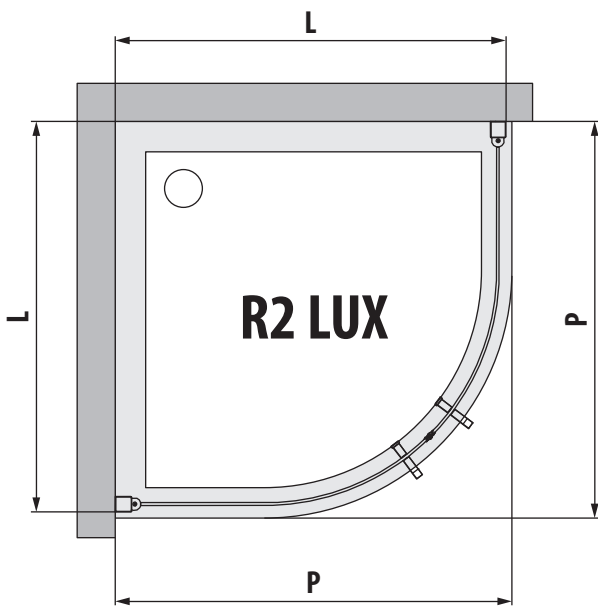


<hr/> <hr/> <hr/> <hr/>	<hr/> <hr/> <hr/> <hr/>
-------------------------	-------------------------

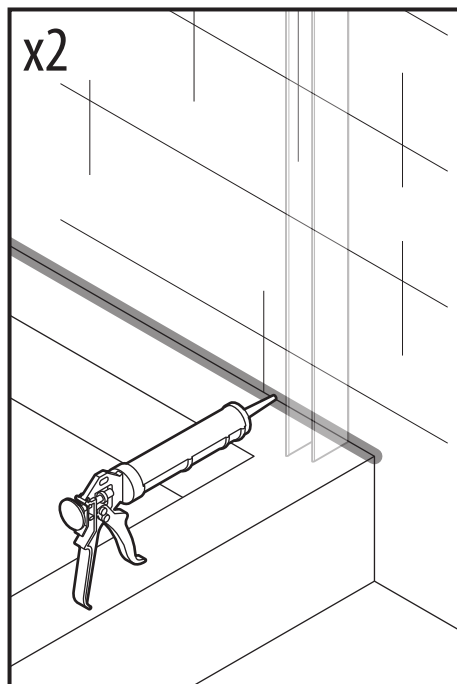
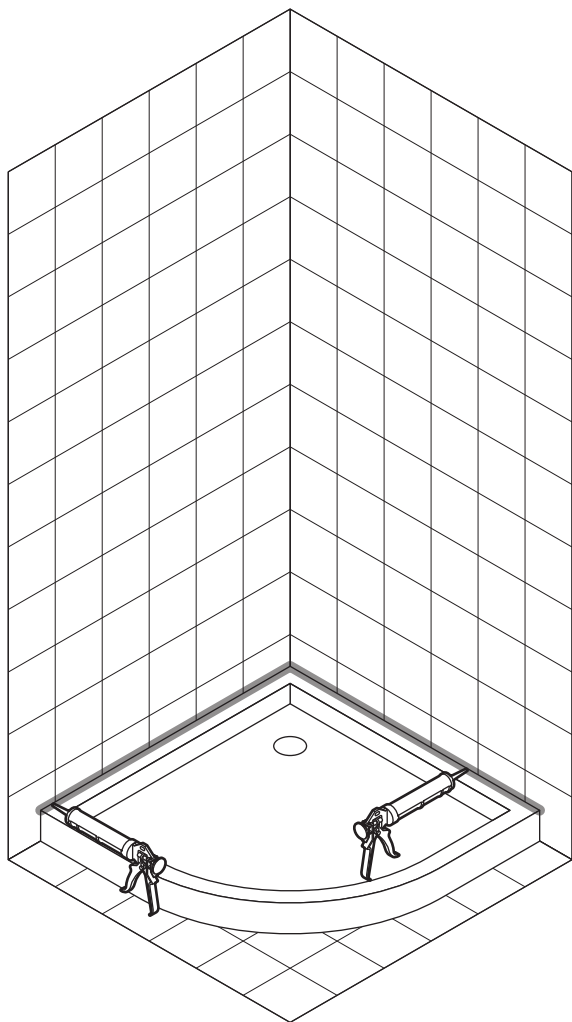


R2	P	L mm
80	785-805	775-795
90	885-905	875-895
100	985-1005	975-995

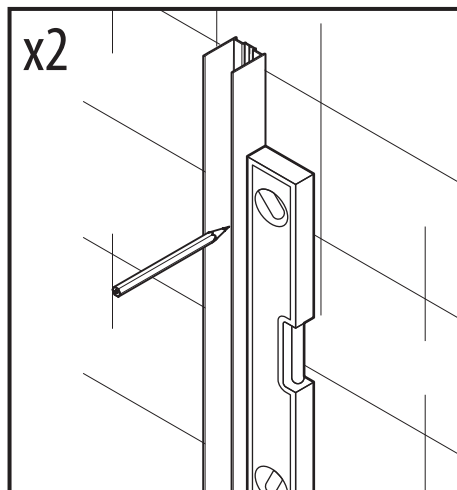
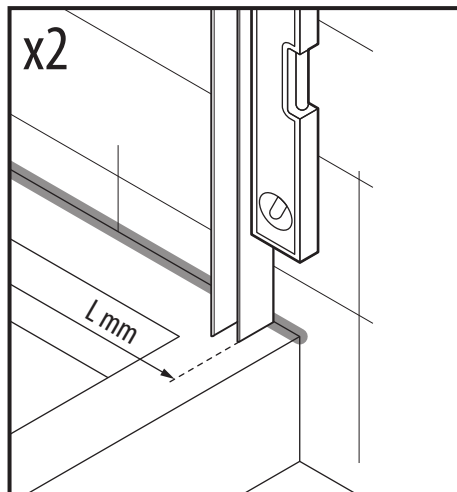
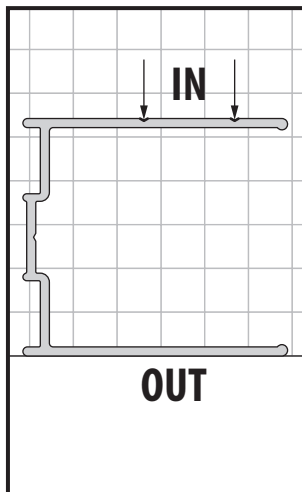
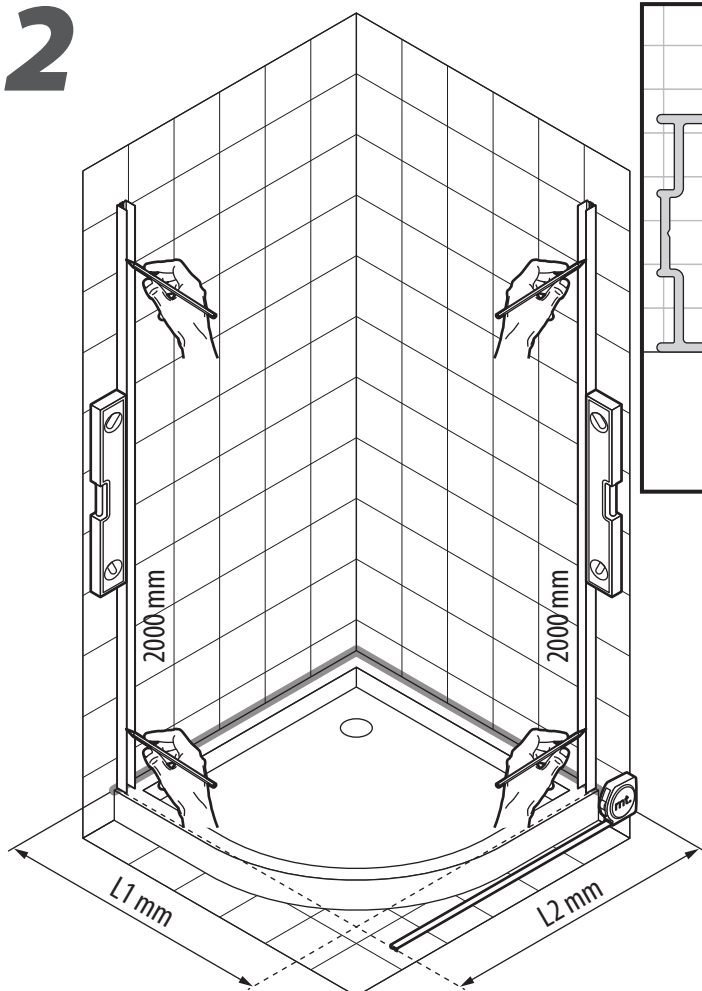
R2	V	L mm
80	762-782	775-795
90	862-882	875-895
100	962-982	975-995



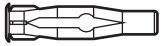
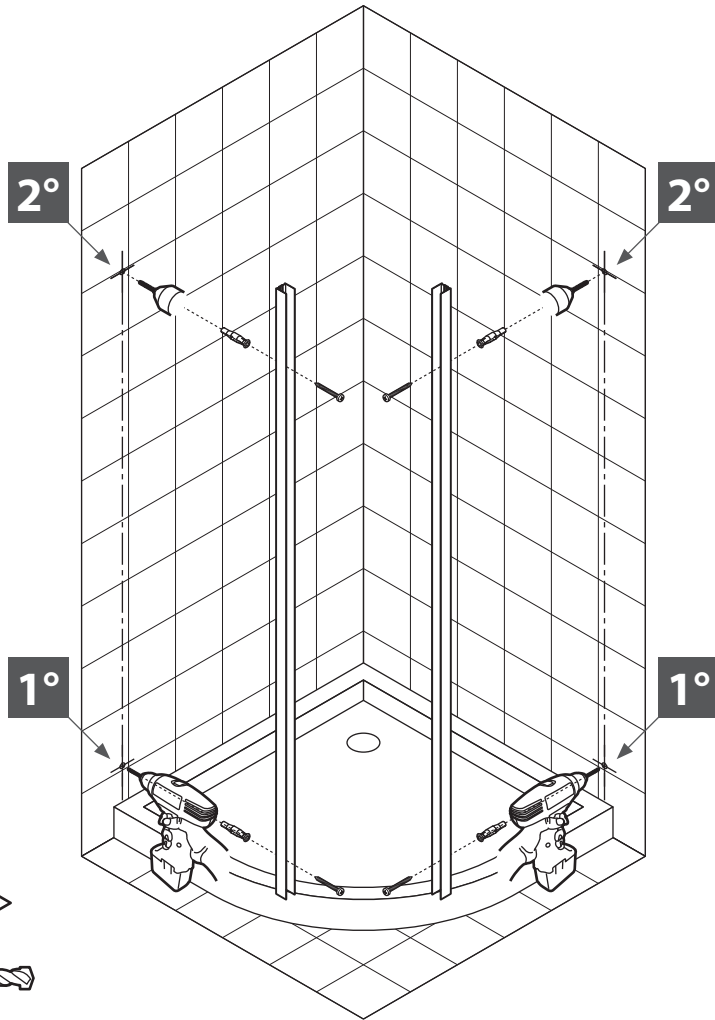
1



2



3



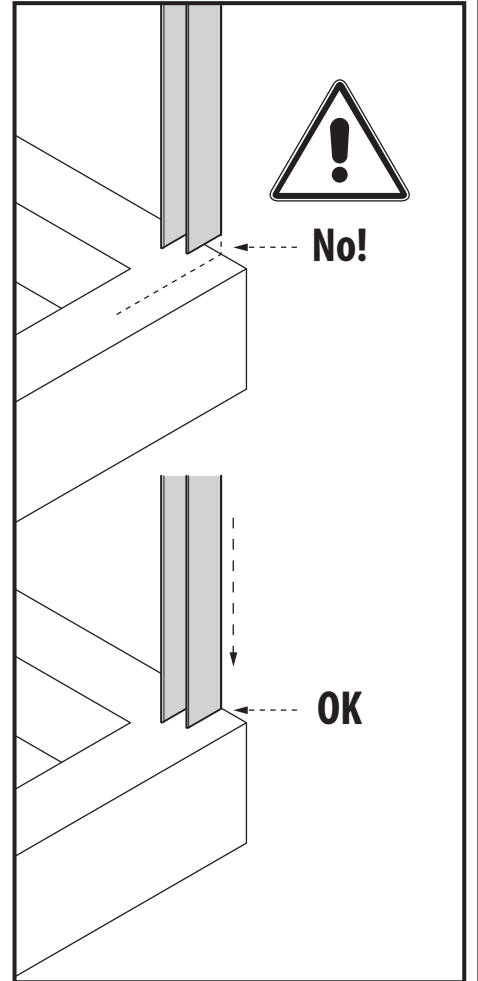
FU8x50 x4



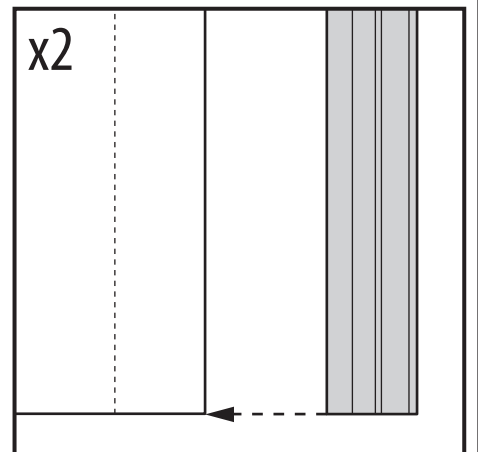
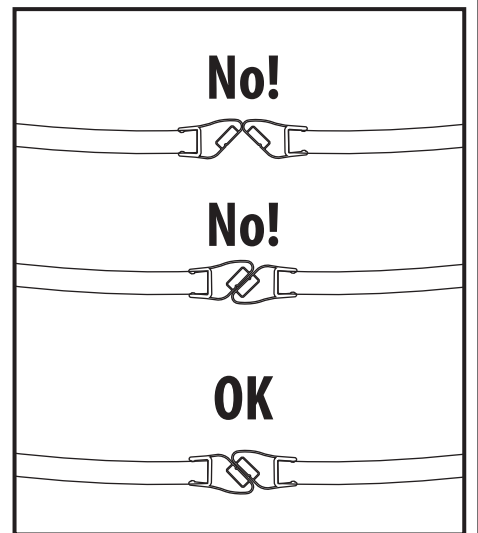
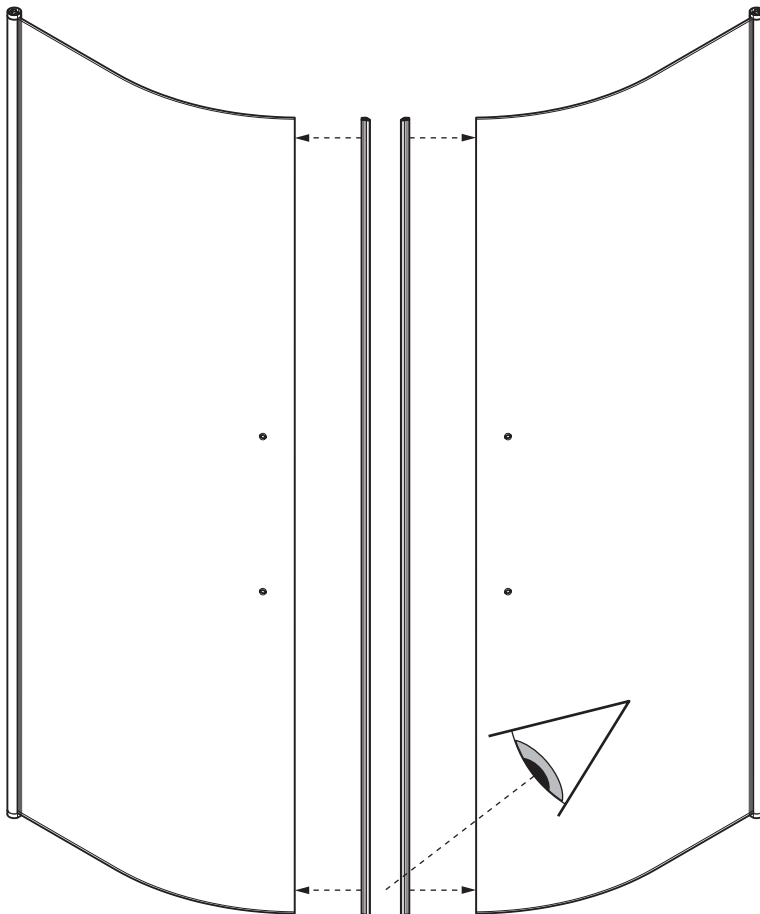
4,5x60 x4



ø8 mm

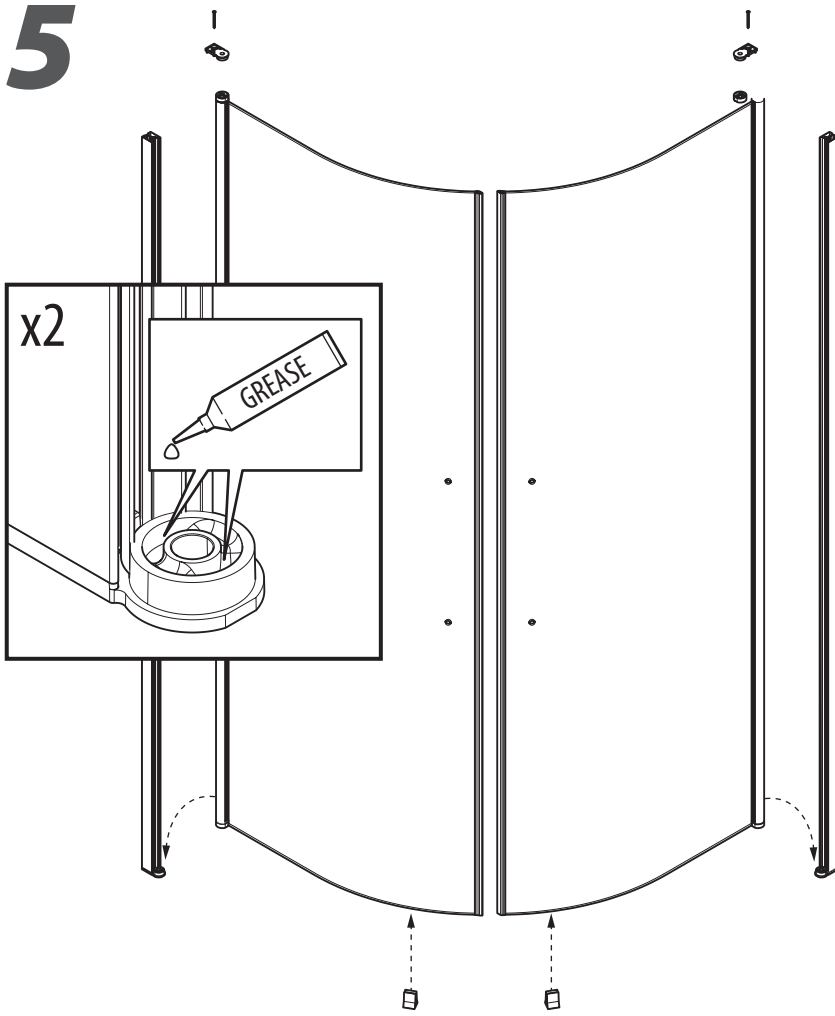


4

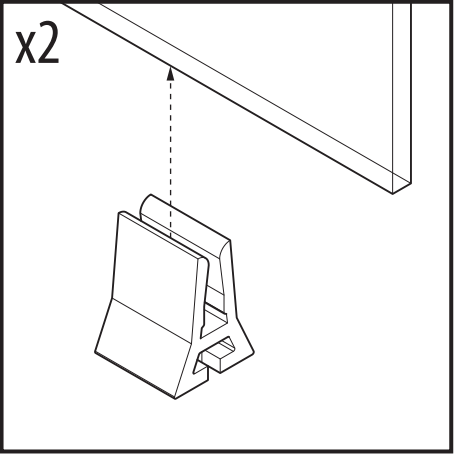


5

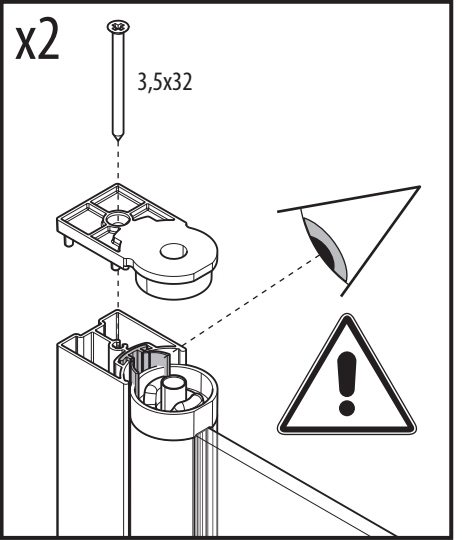
5



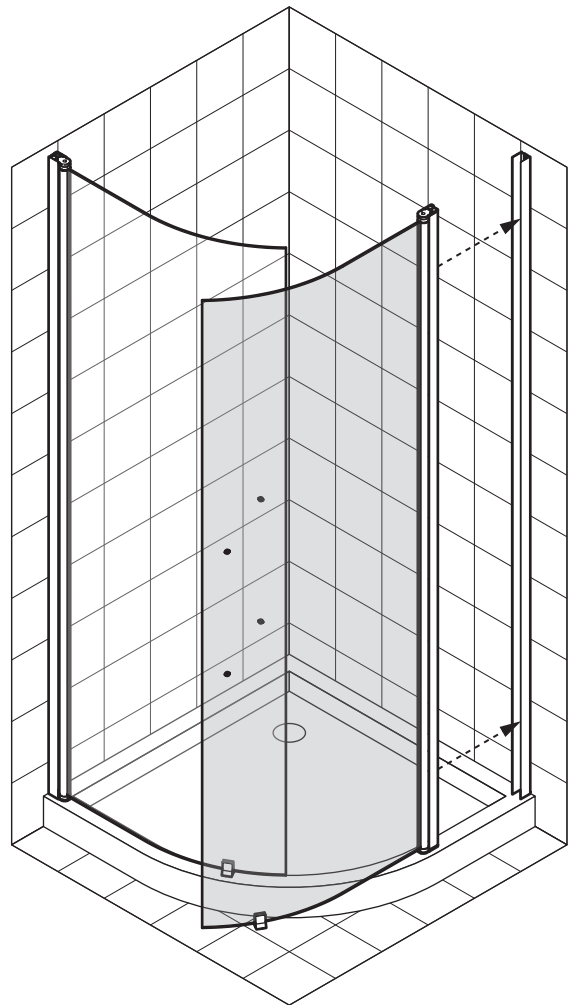
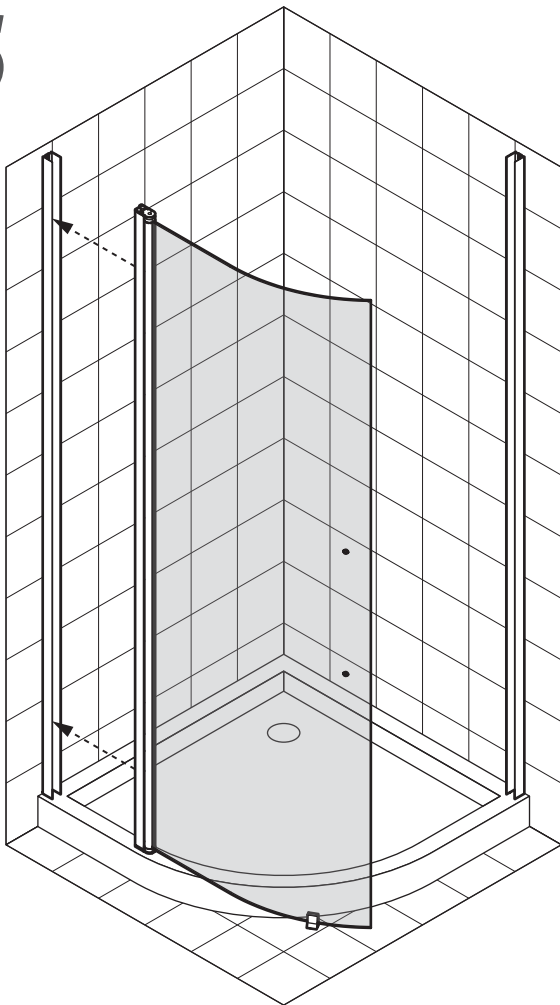
x2



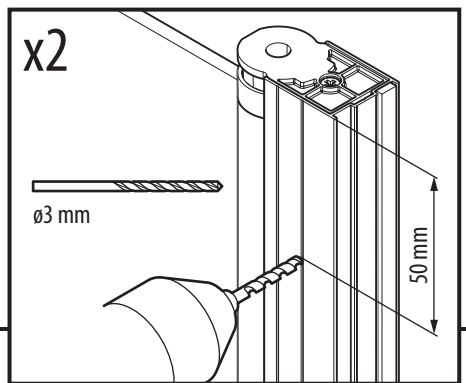
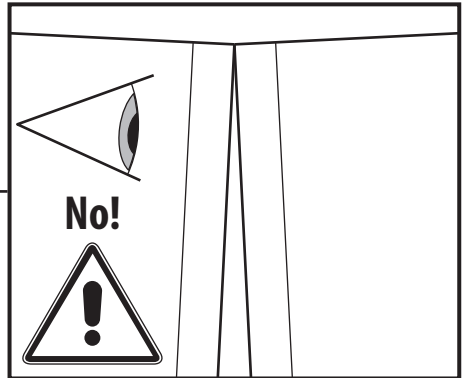
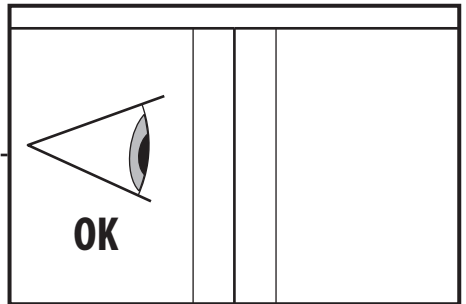
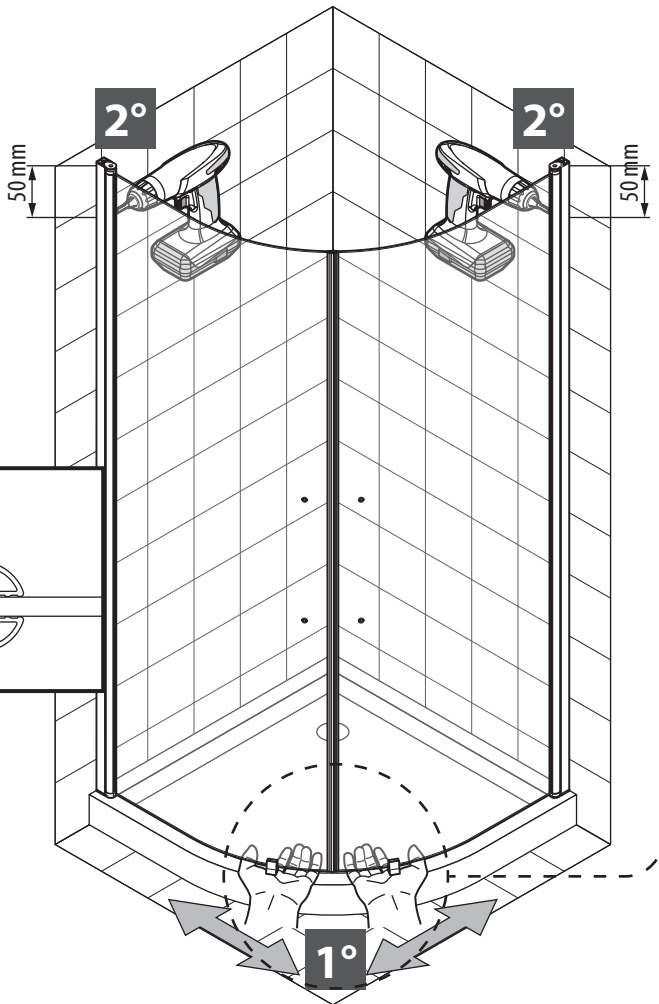
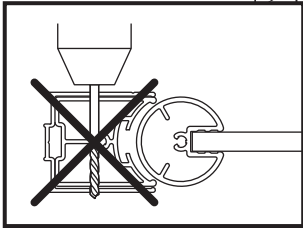
x2



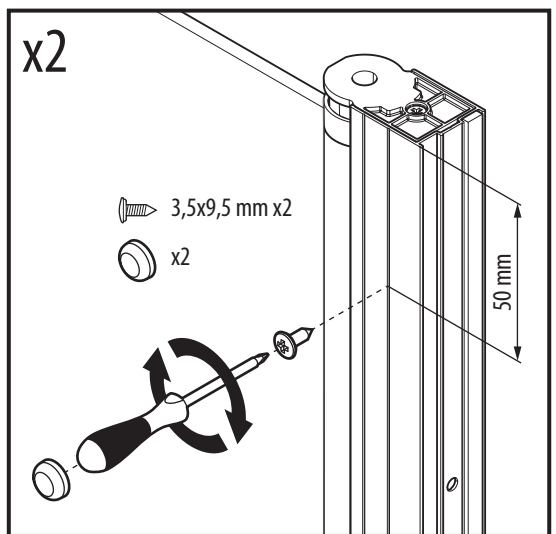
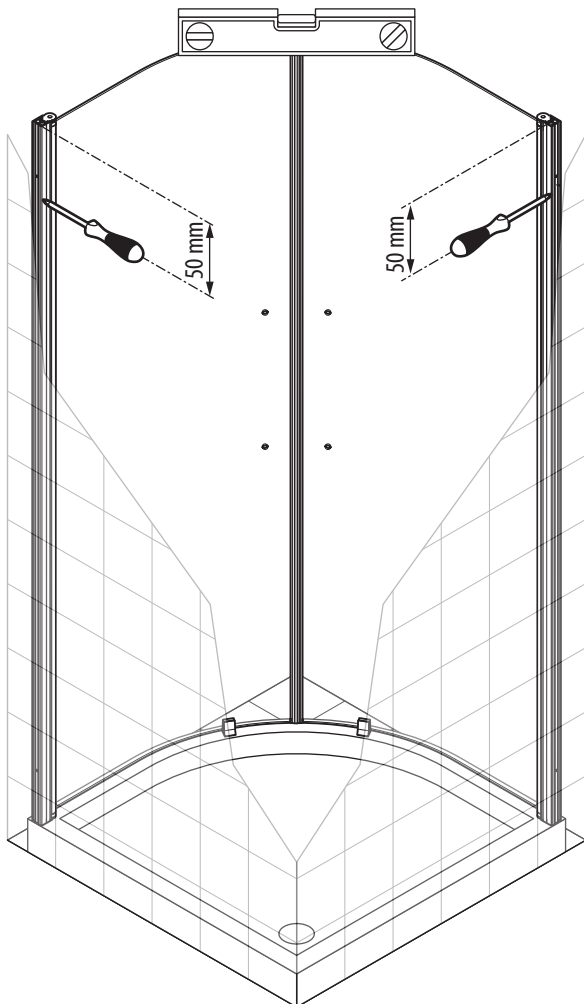
6



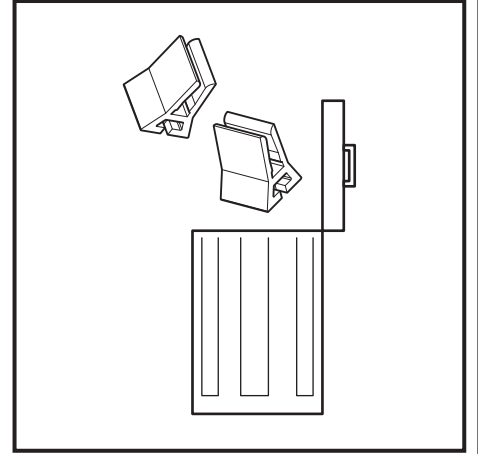
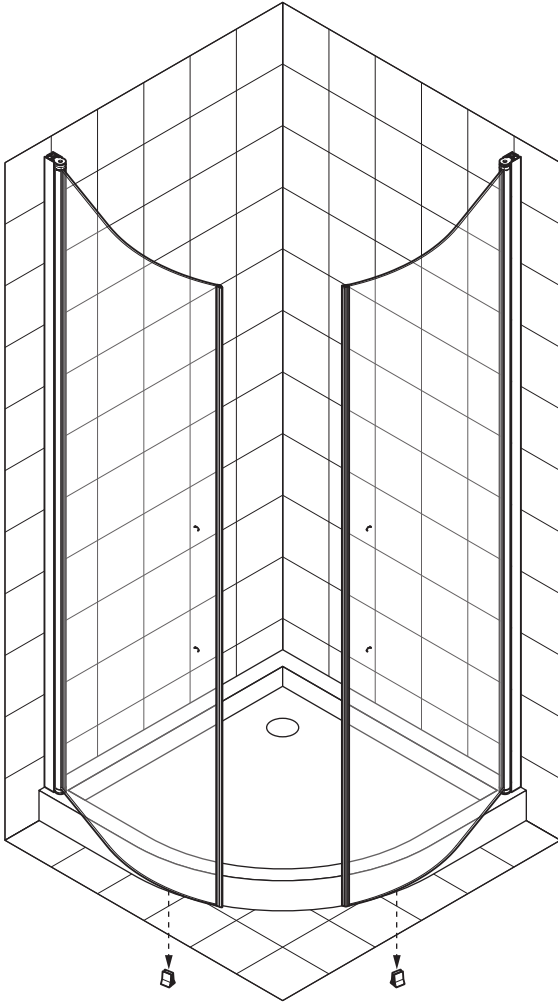
7



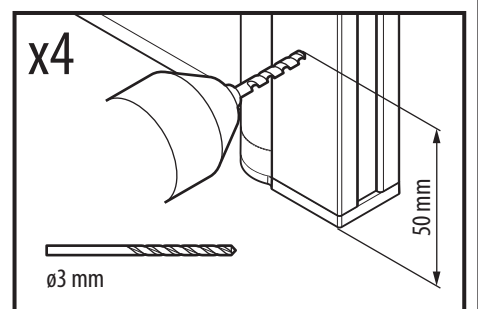
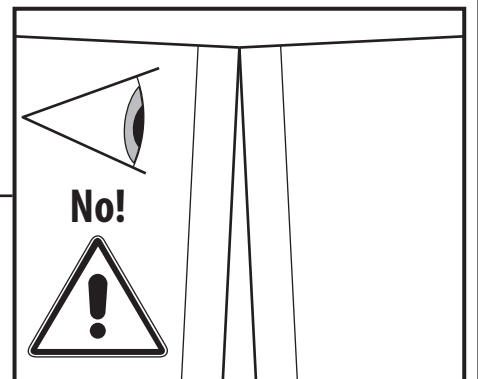
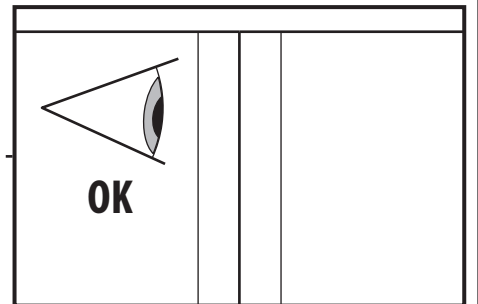
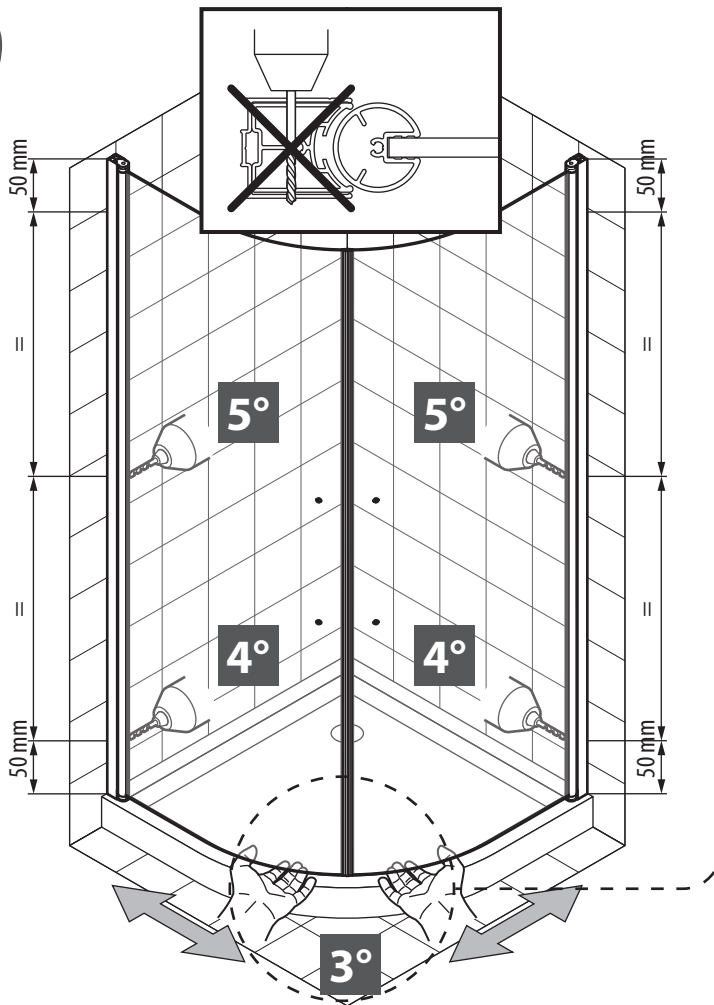
8



9

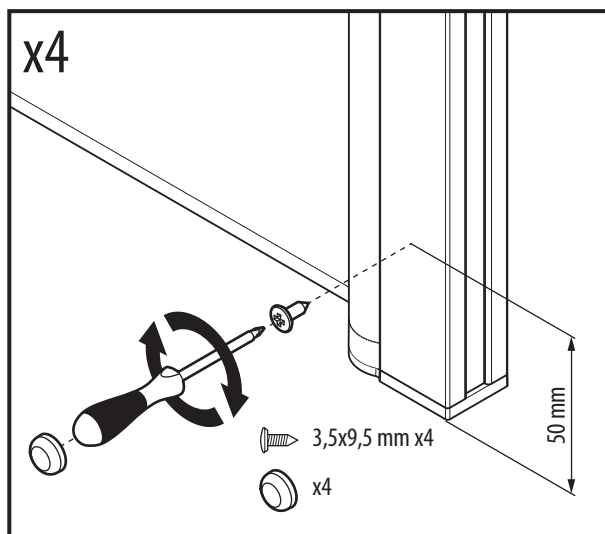
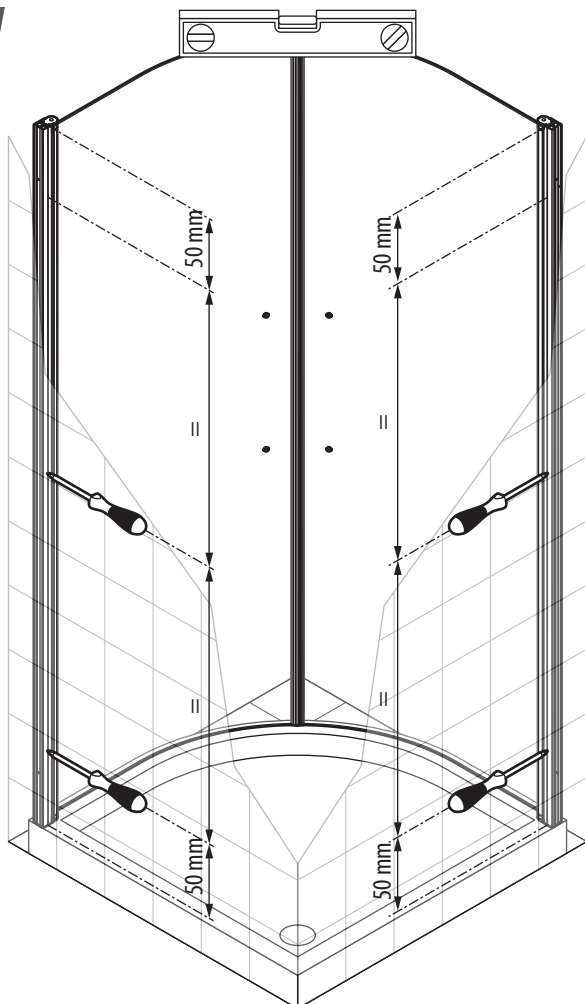


10

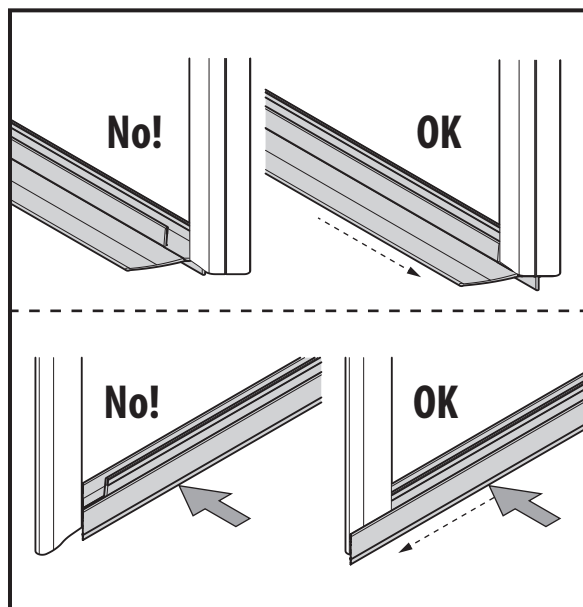
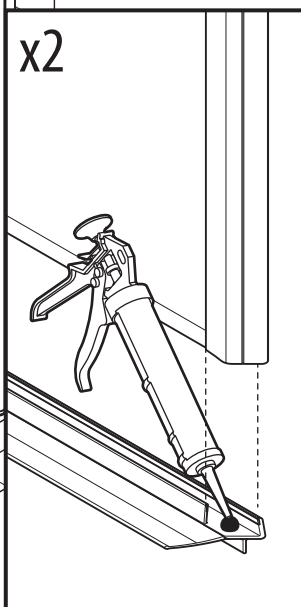
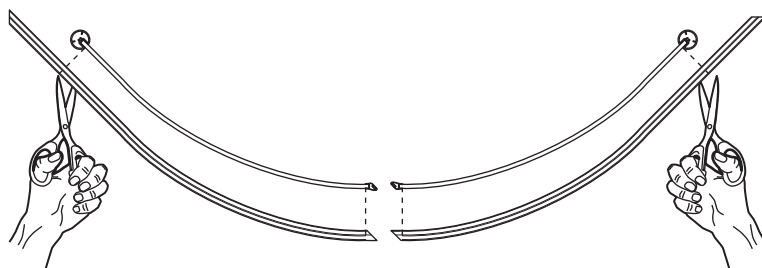
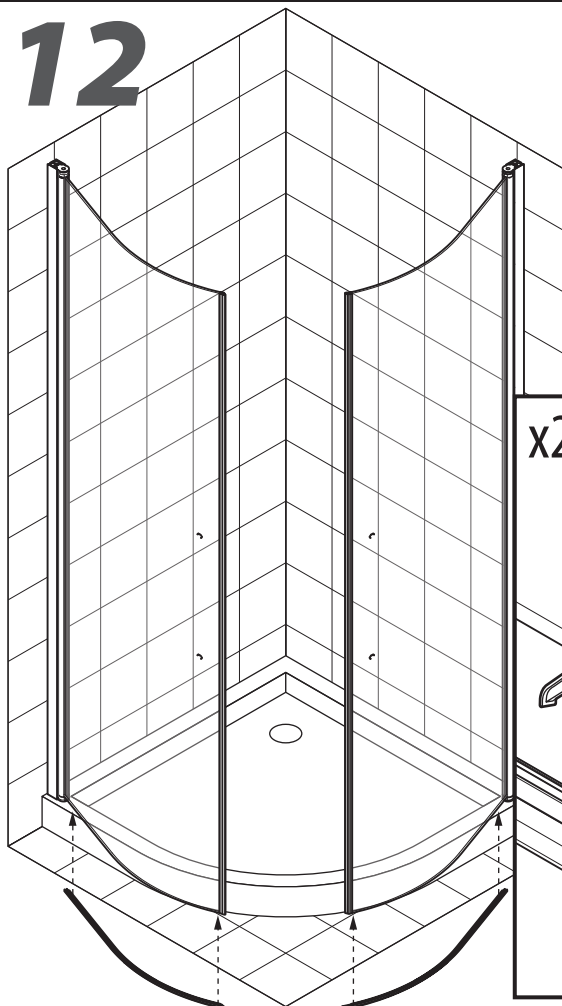


8

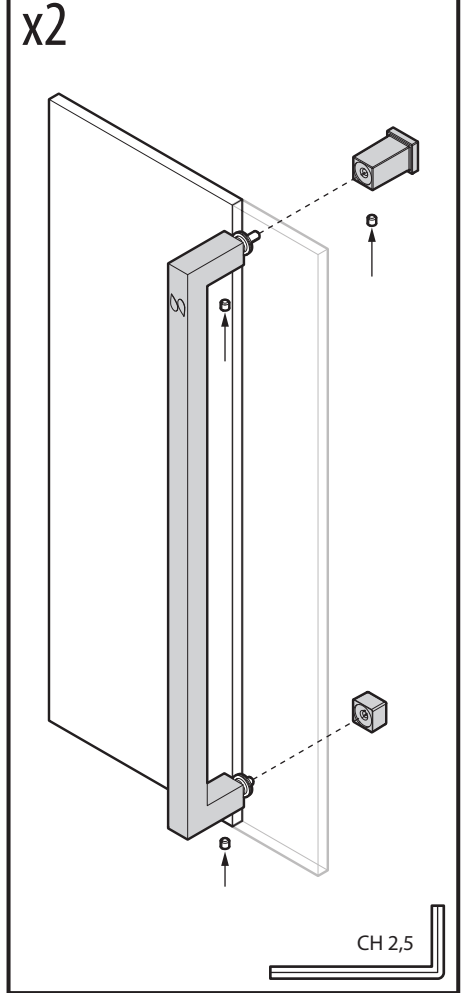
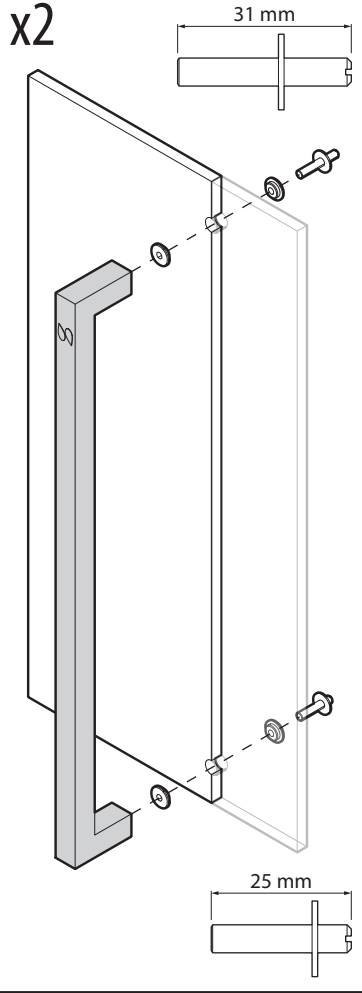
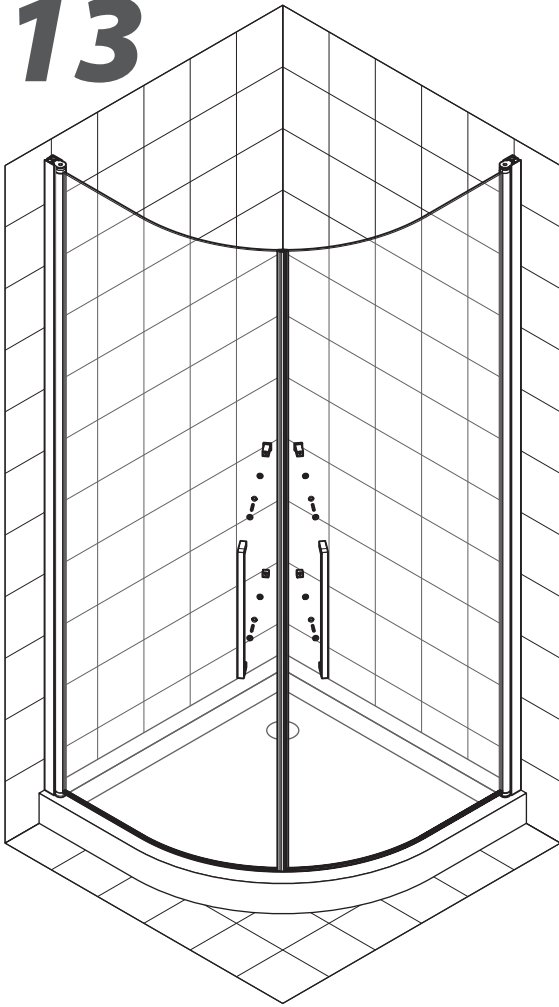
11



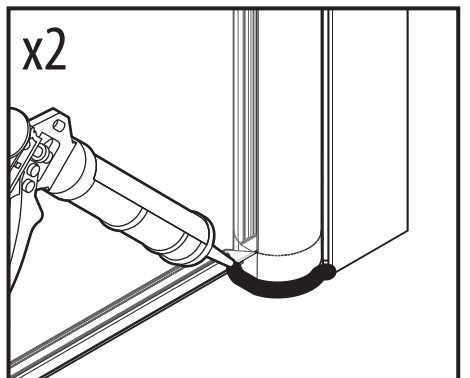
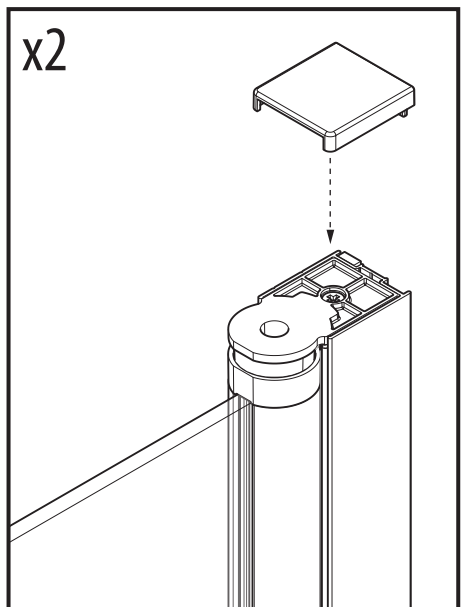
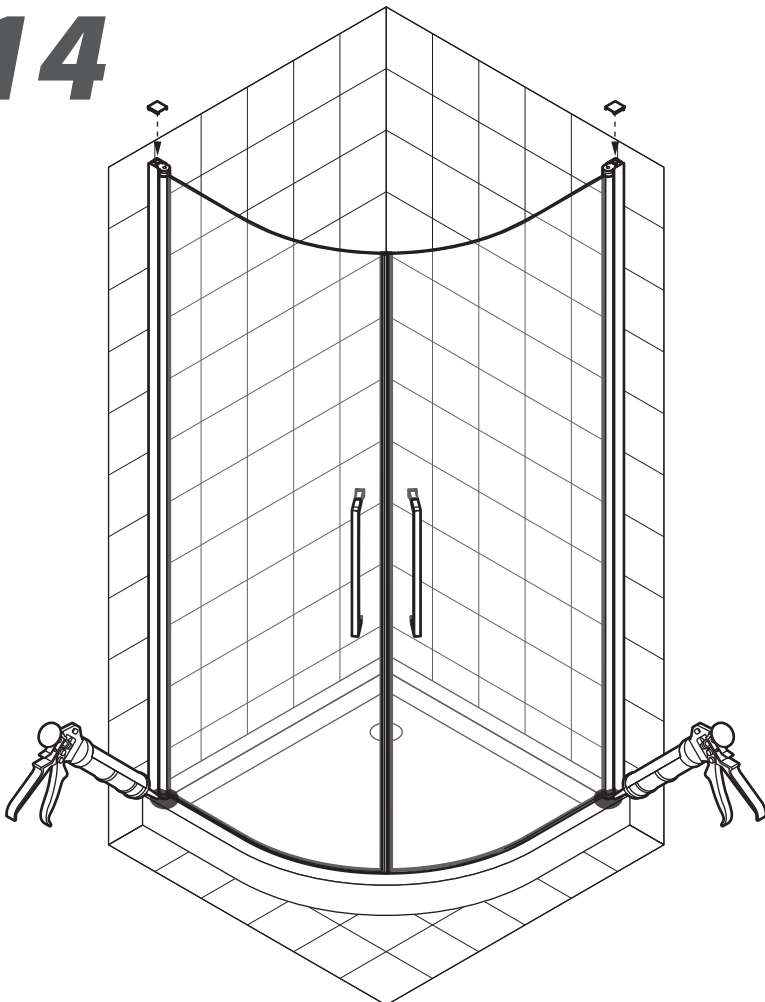
12



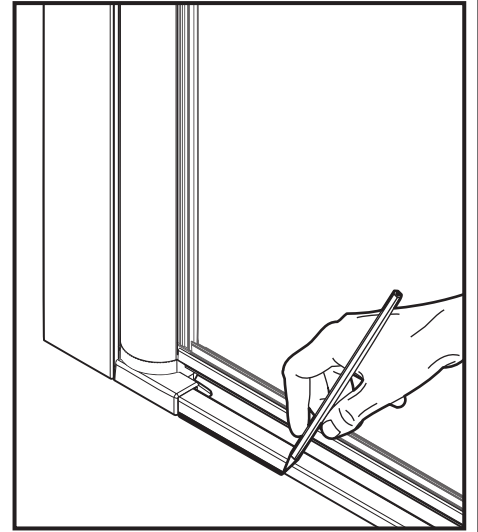
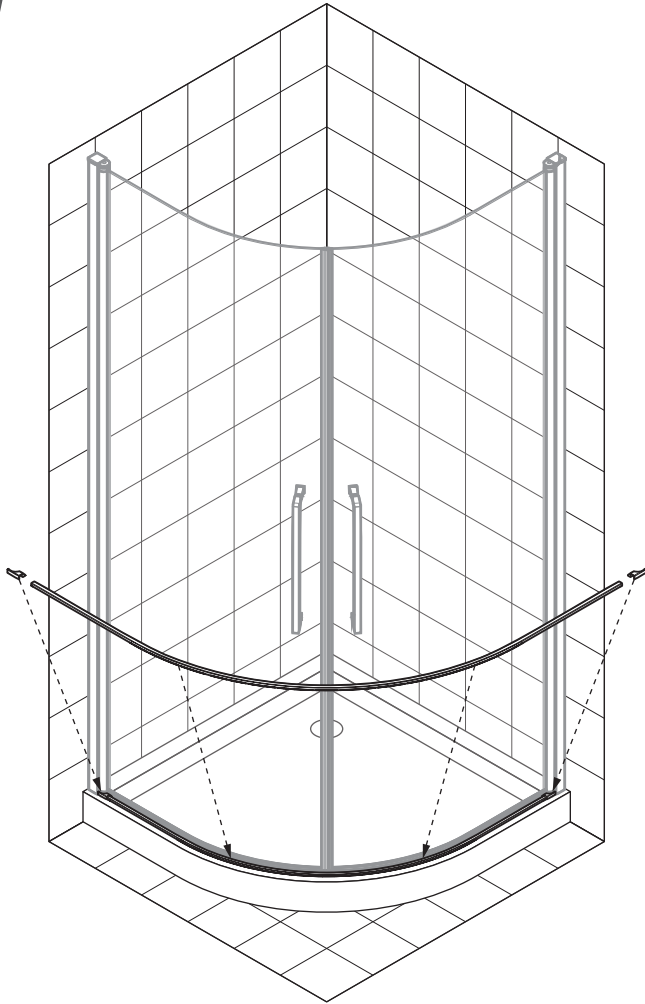
13



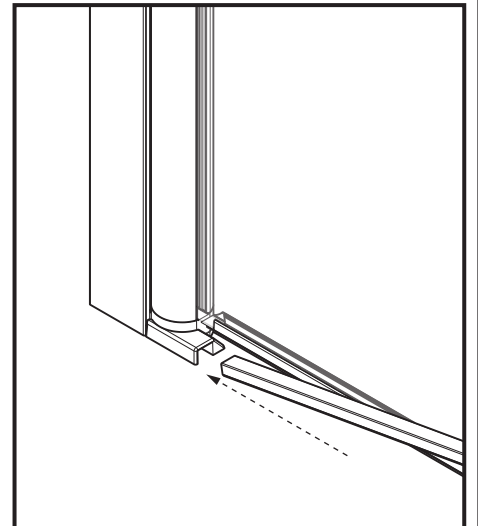
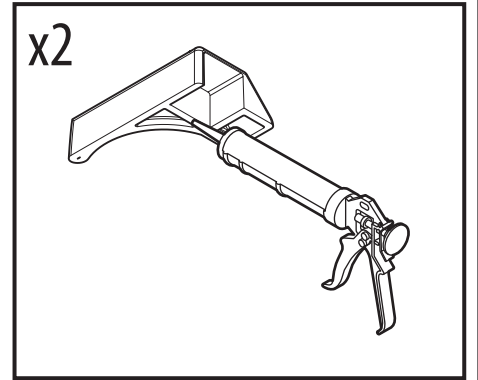
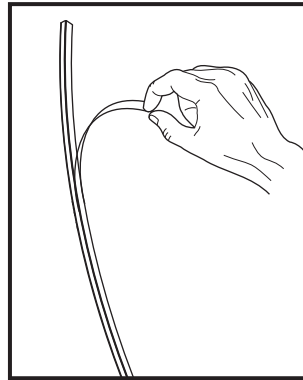
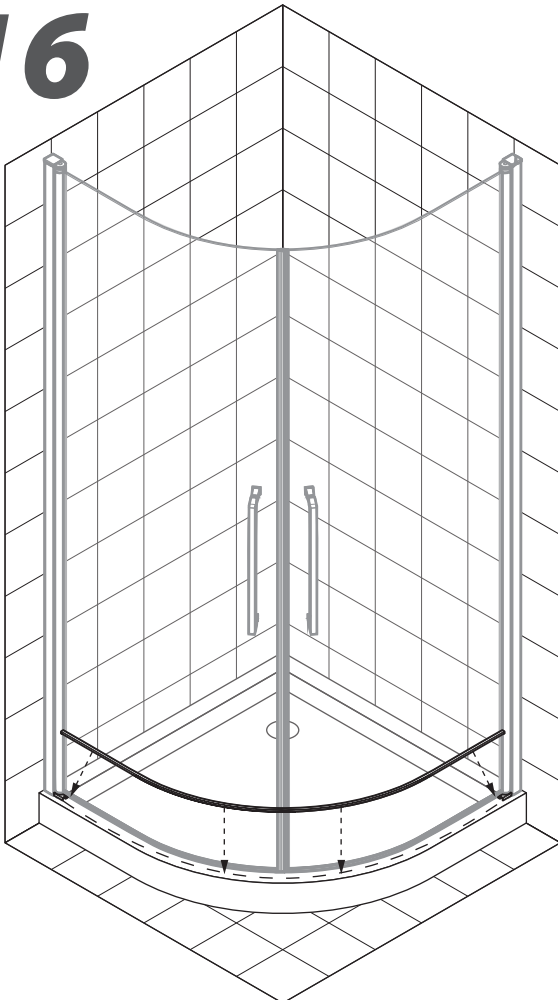
14



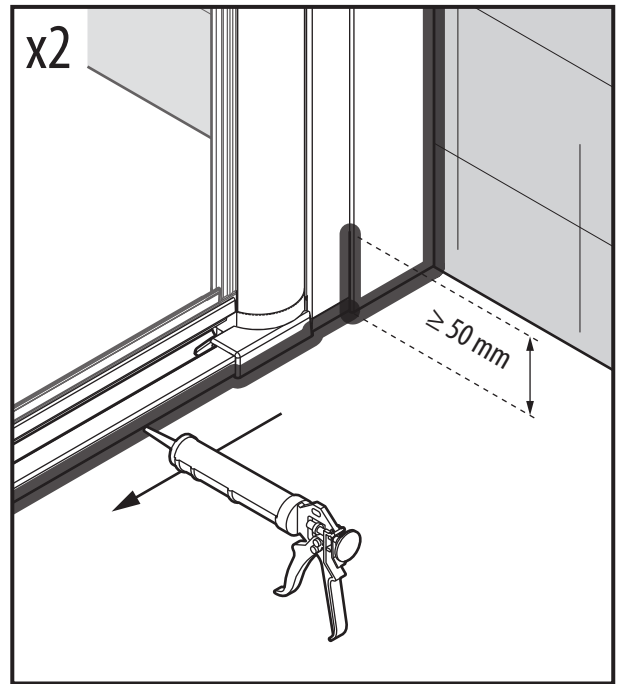
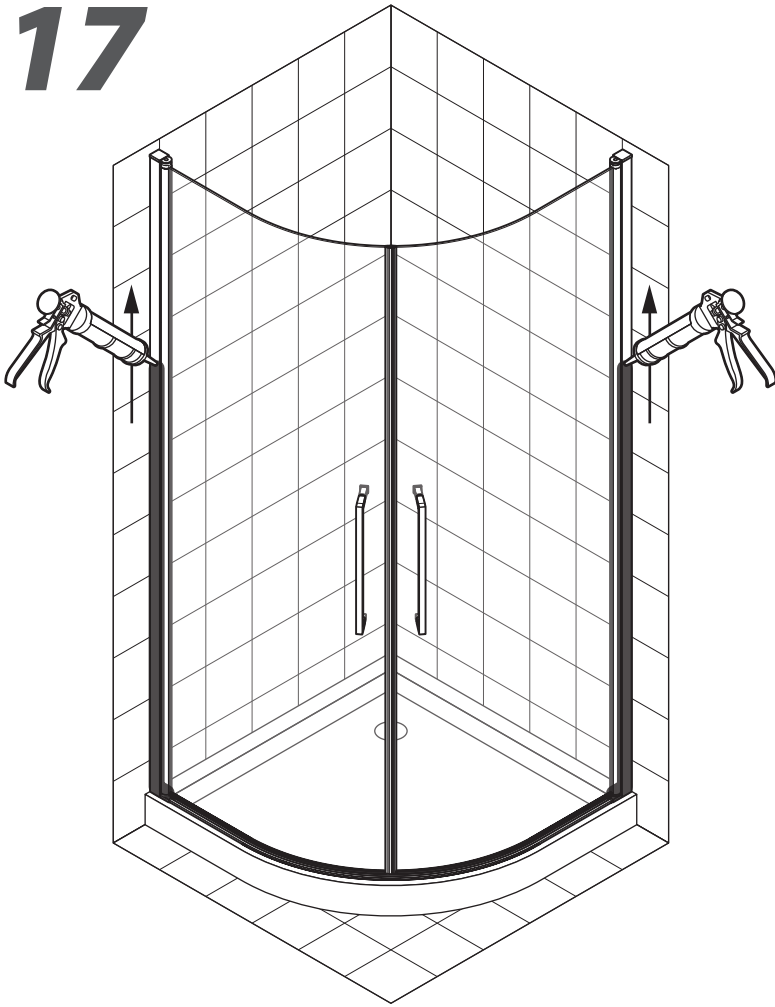
15



16



17



18

