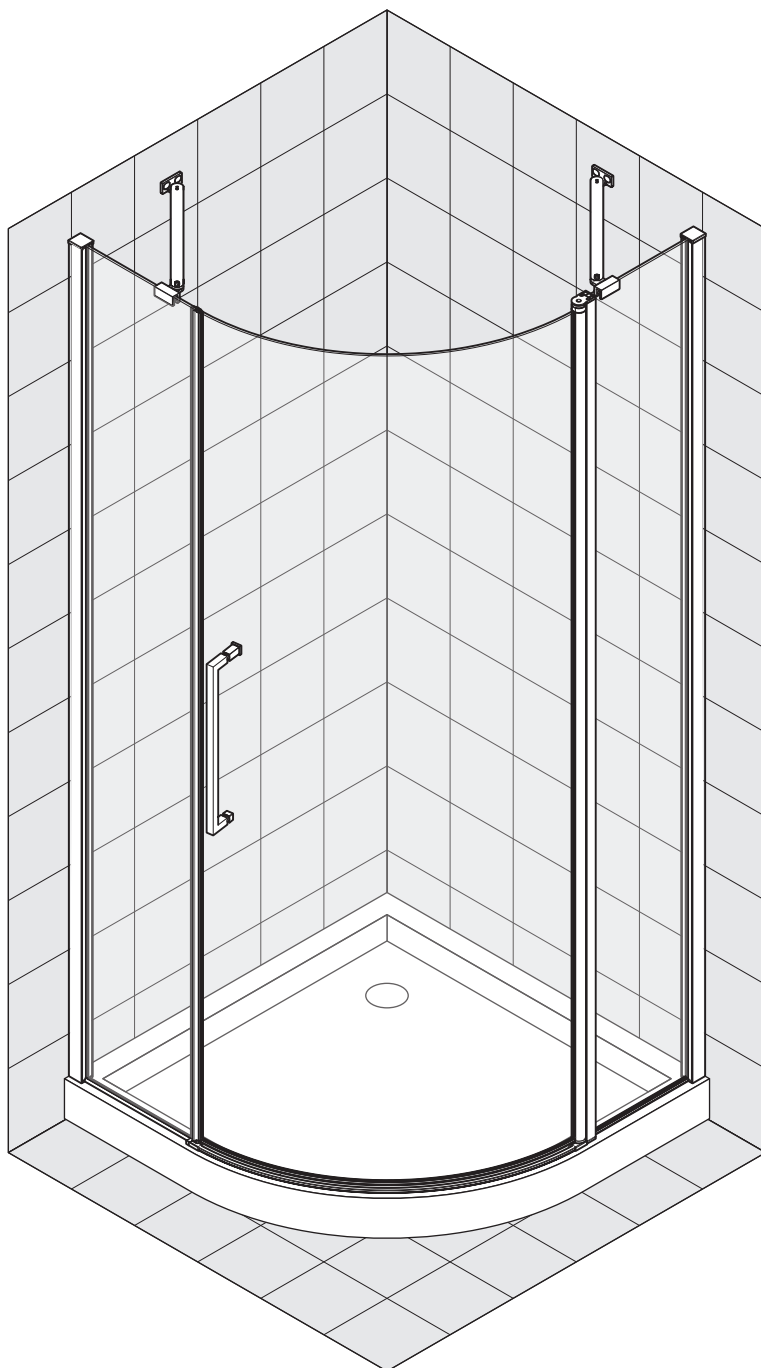
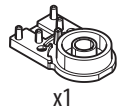
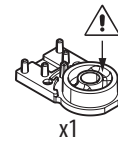
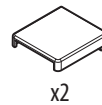
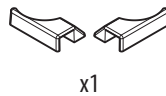
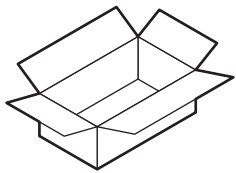
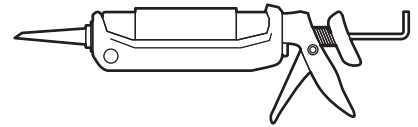
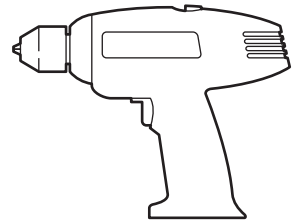
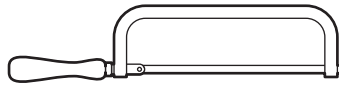
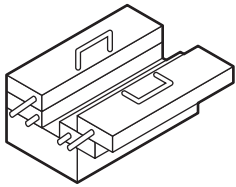
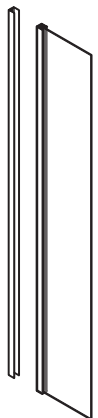


R1

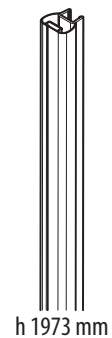
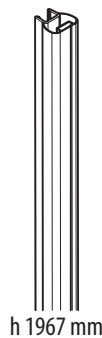
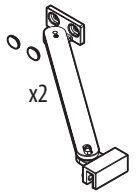
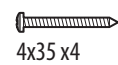
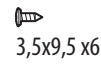
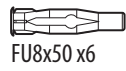




h 1984



h 2000



R1	P	L mm
80	785-805	775-795
90	885-905	875-895
100	985-1005	975-995

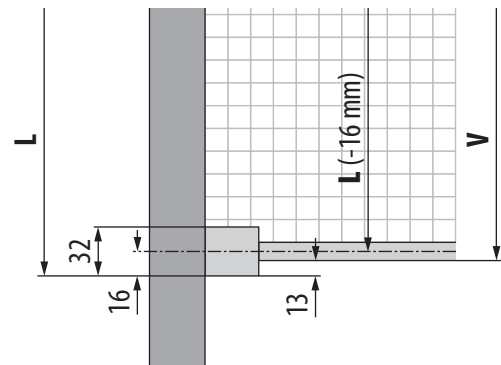
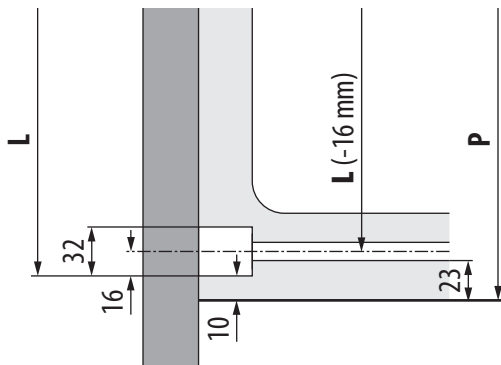
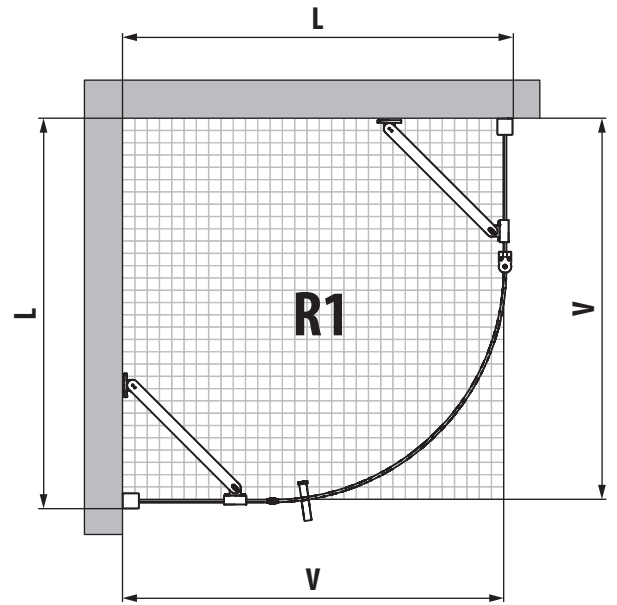
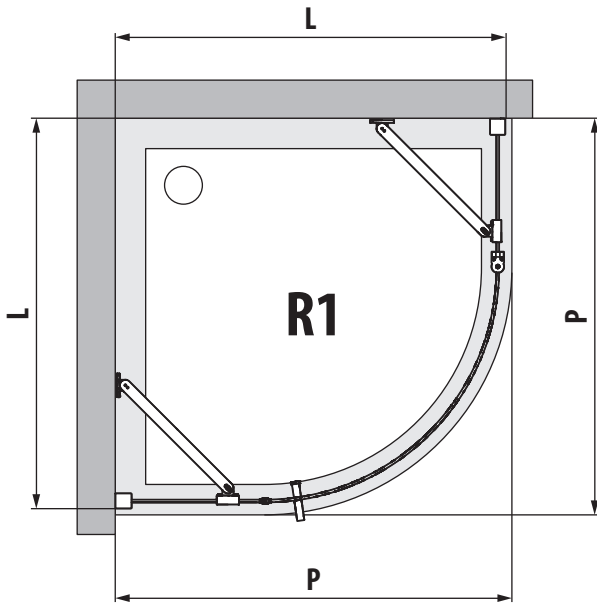
R1A	P	L mm
80x90	785-805 x 885-905	775-795 x 875-895
80x100	785-806 x 985-1005	775-796 x 975-995
90x100	885-905 x 985-1005	875-895 x 975-995
80x120	785-805 x 1185-1205	775-795 x 1175-1195
90x120	885-905 x 1185-1205	875-895 x 1175-1195

R	P	L mm
70x90	685-705 x 885-905	675-695 x 875-895
80x100	785-805 x 985-1005	775-795 x 975-995
80x120	785-805 x 1185-1205	775-795 x 1175-1195

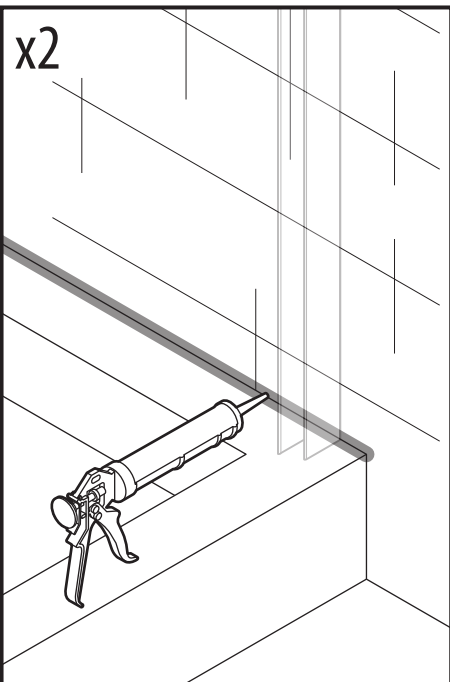
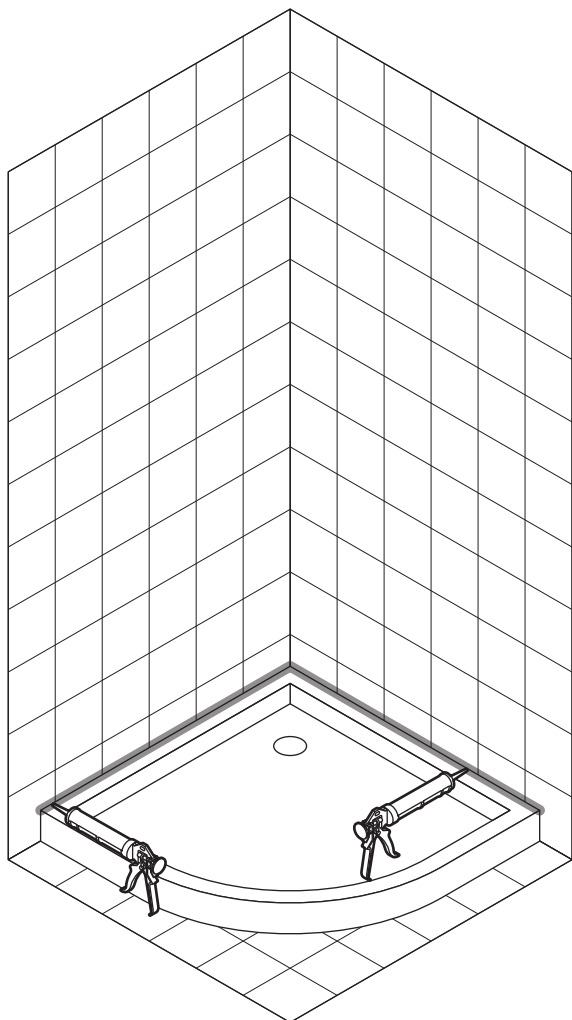
R1	V	L mm
80	762-782	775-795
90	862-882	875-895
100	962-982	975-995

R1A	V	L mm
80x90	762-782 x 862-882	775-795 x 875-895
80x100	762-783 x 962-982	775-796 x 975-995
90x100	862-882 x 962-982	875-895 x 975-995
80x120	762-782 x 1162-1182	775-795 x 1175-1195
90x120	862-882 x 1162-1182	875-895 x 1175-1195

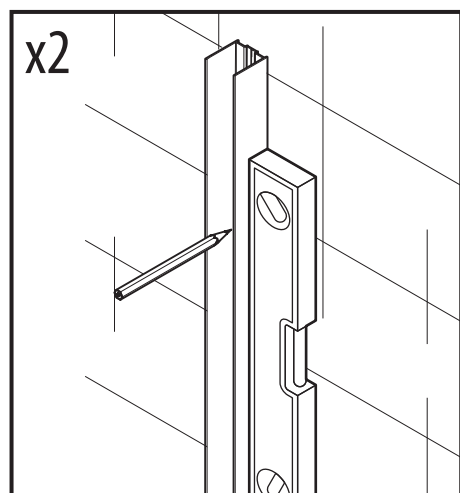
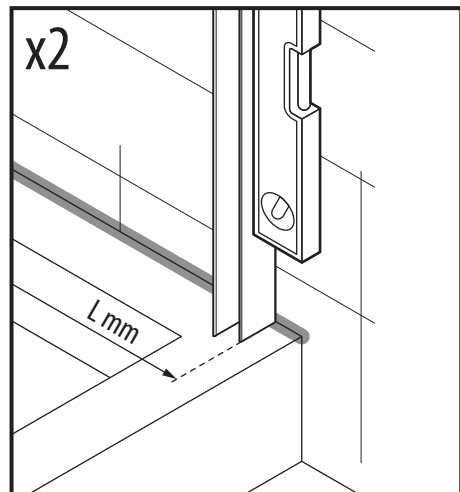
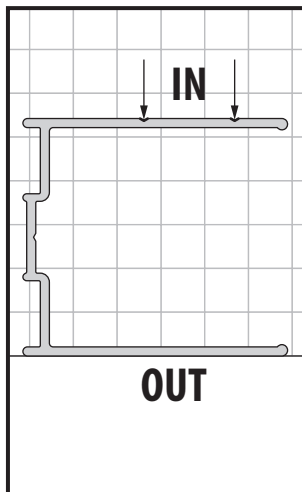
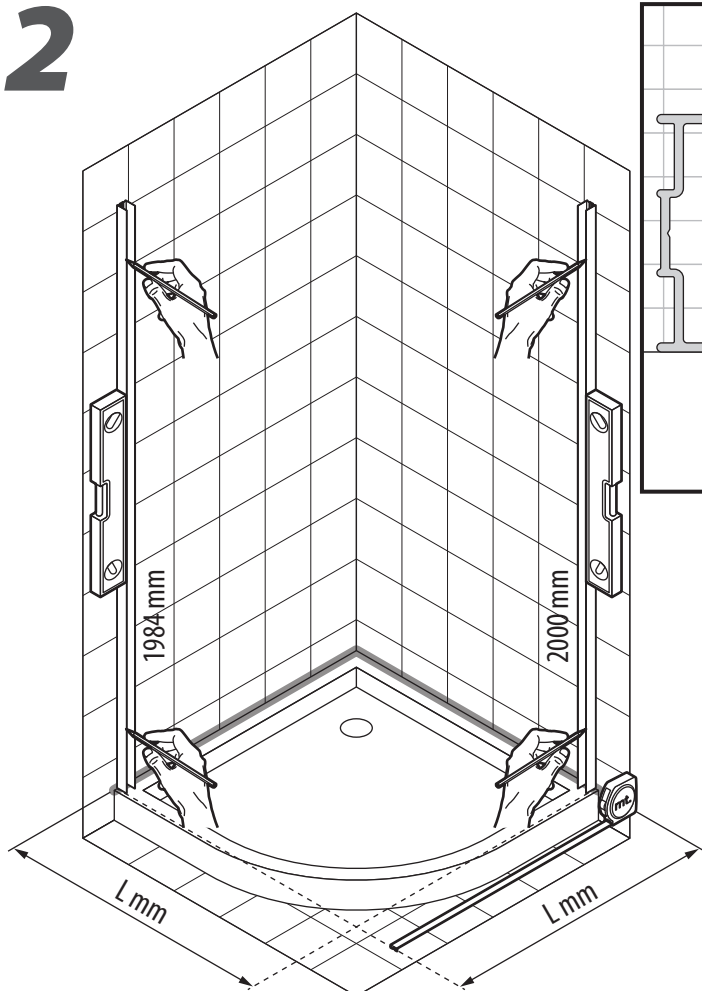
R	V	L mm
70x90	662-682 x 862-882	675-695 x 875-895
80x100	762-782 x 962-982	775-795 x 975-995
80x120	762-782 x 1162-1182	775-795 x 1175-1195



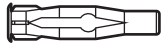
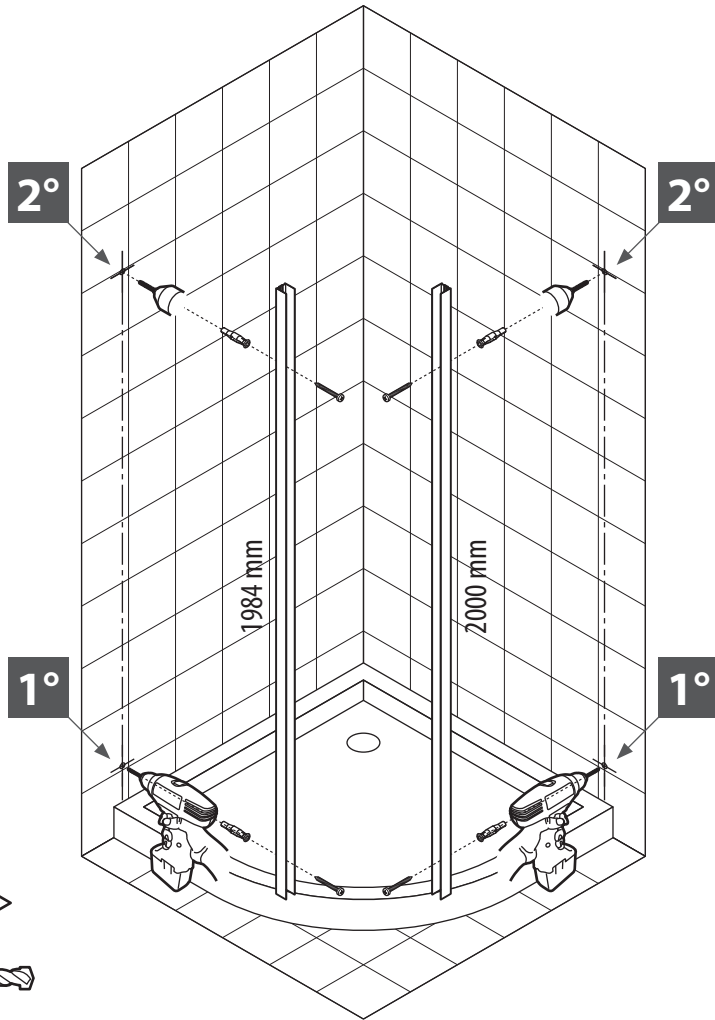
1



2



3



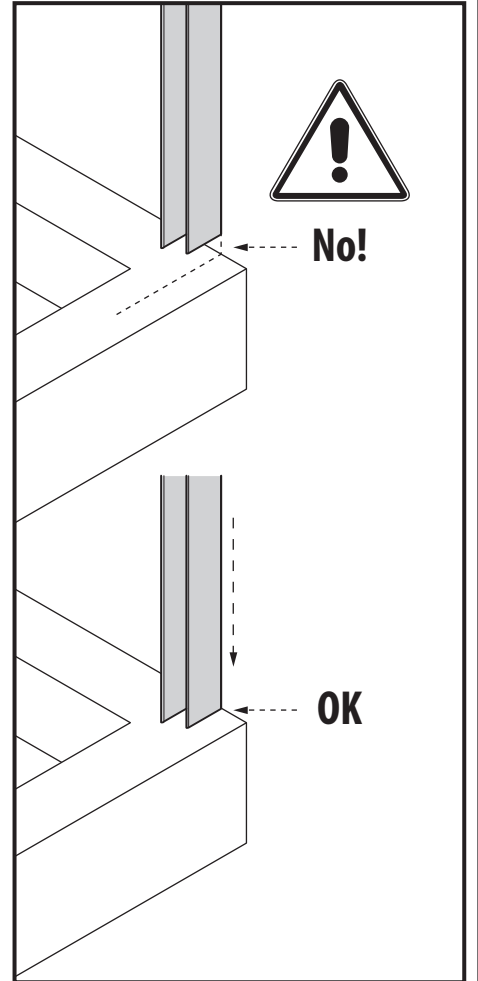
FU8x50 x4



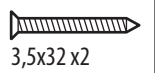
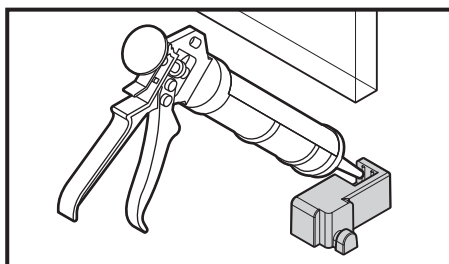
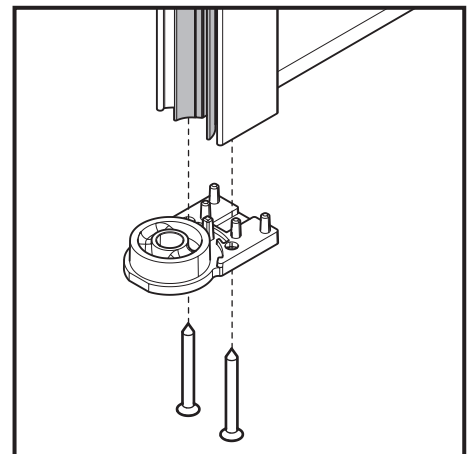
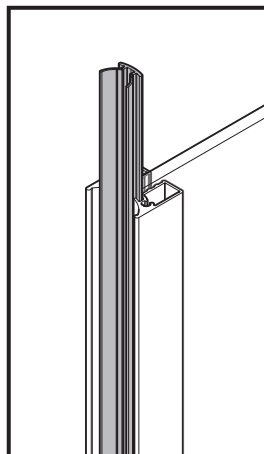
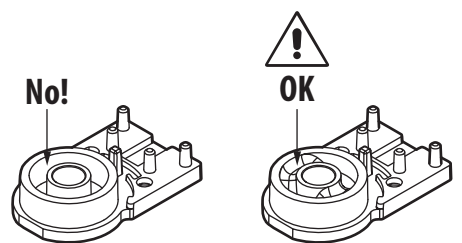
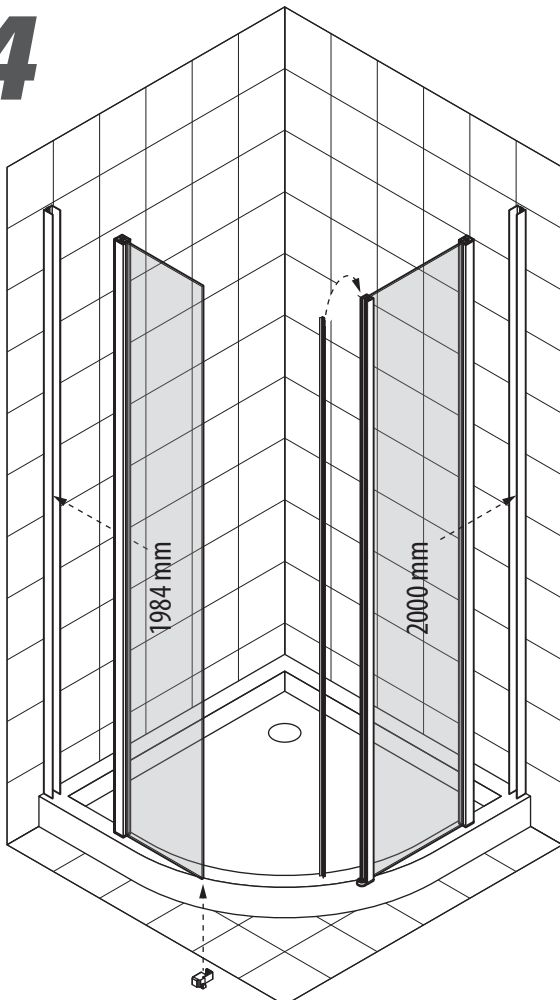
4,5x60 x4



ø8 mm



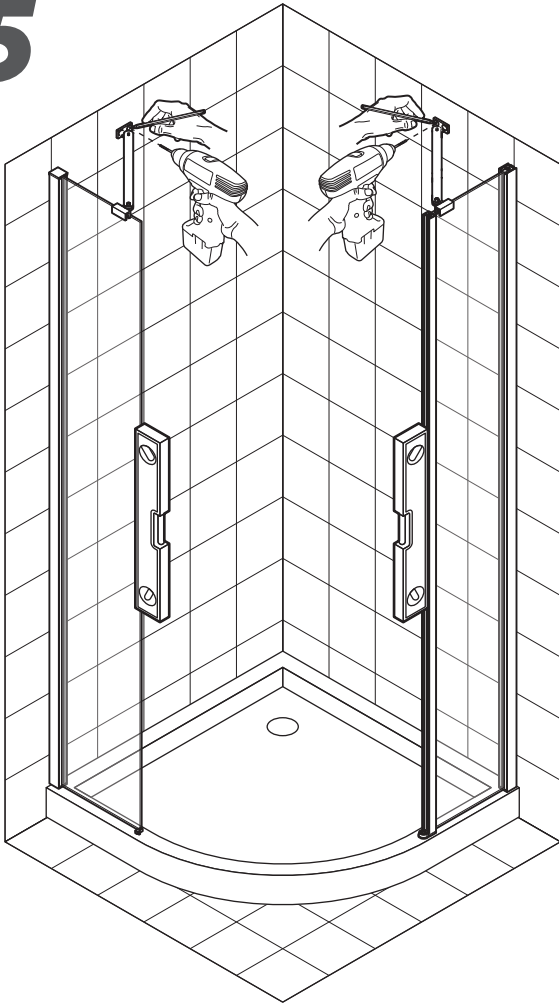
4




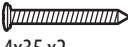
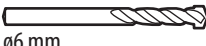
3,5x32 x2

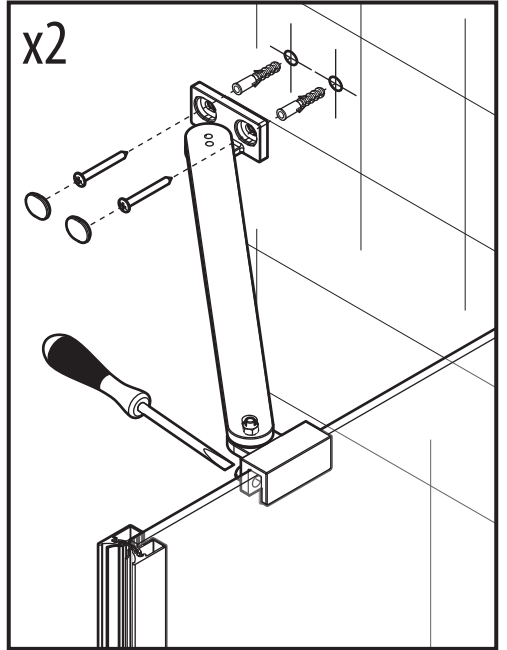
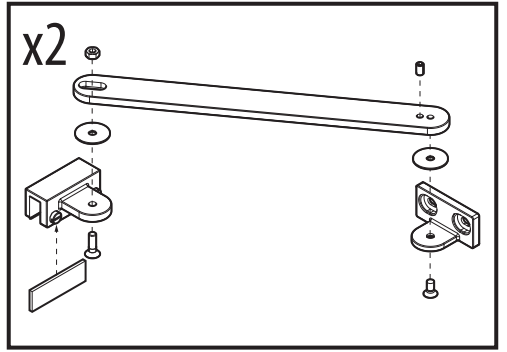
5

5

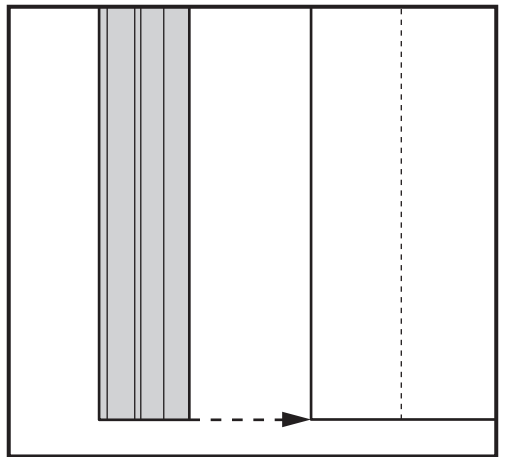
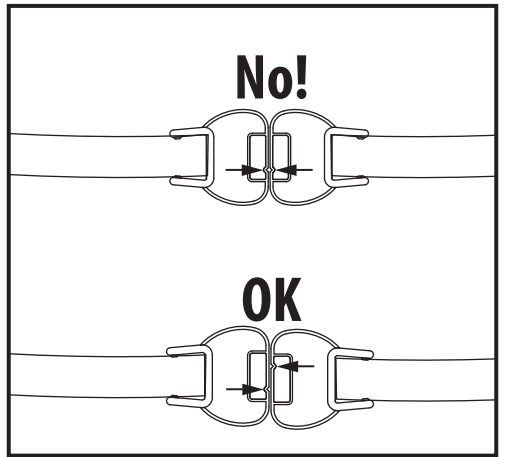
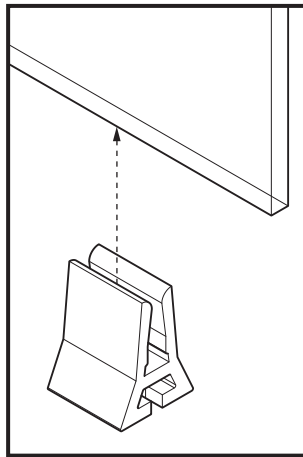
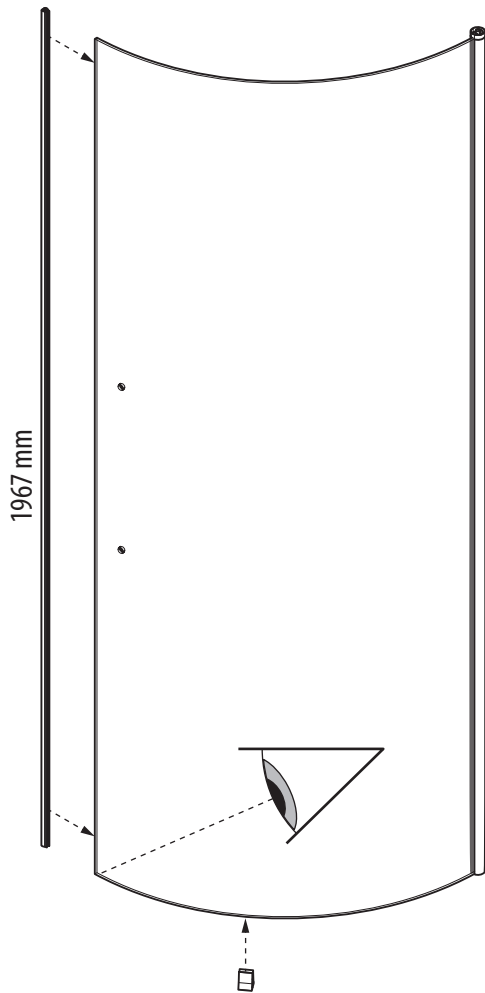


-  M5 x2
-  M5x8 x2
-  M5x10 x2
-  M5x16 x2

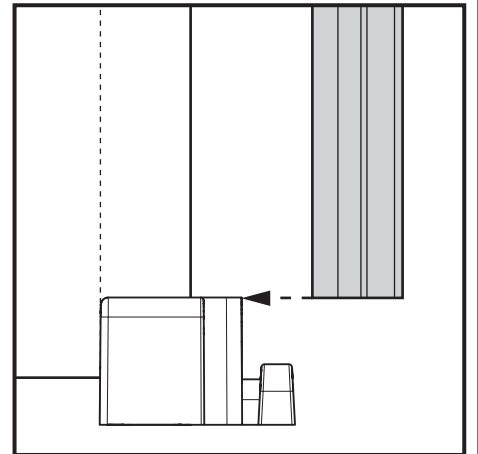
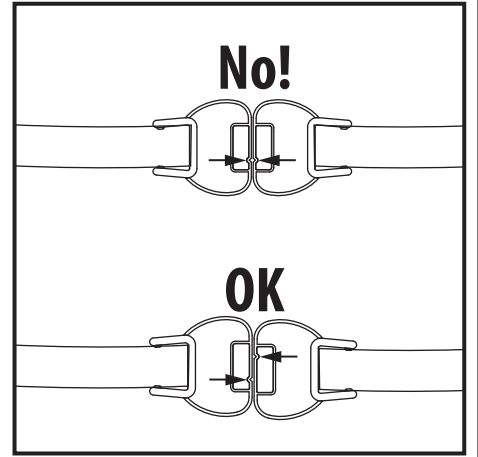
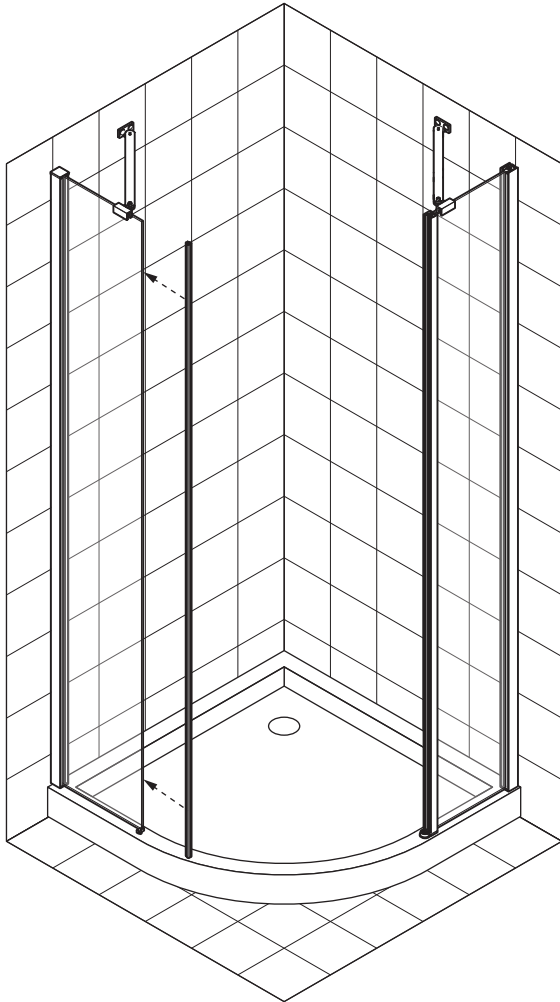
-  S6 x2
-  4x35 x2
-  ø6 mm



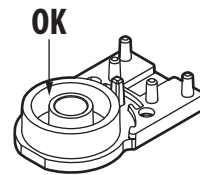
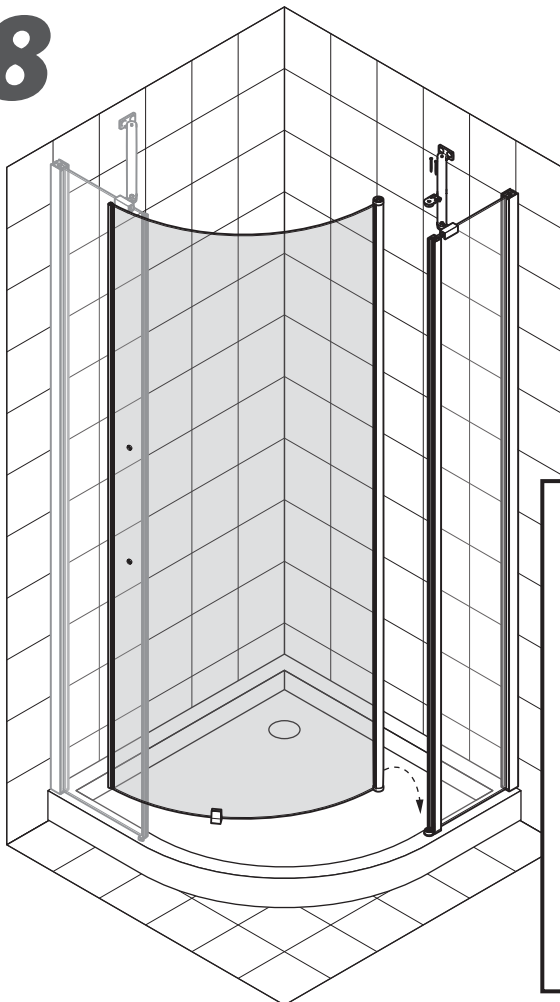
6



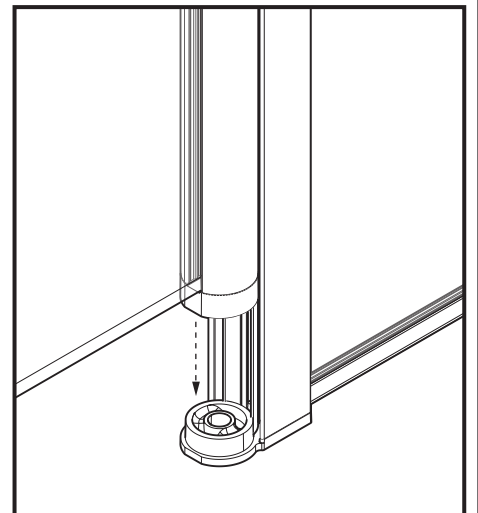
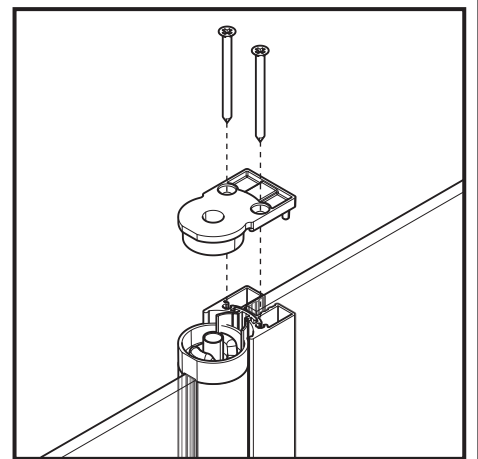
7



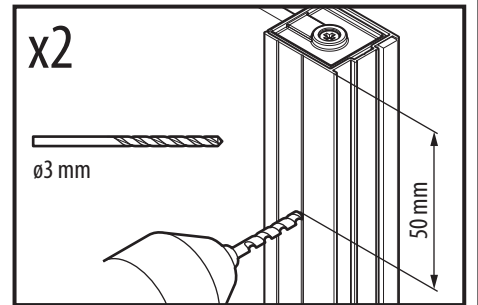
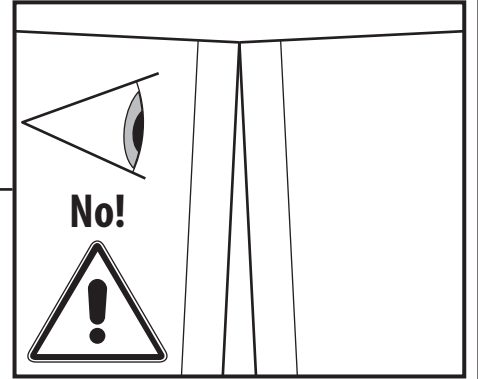
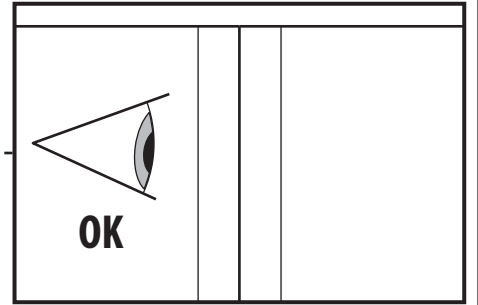
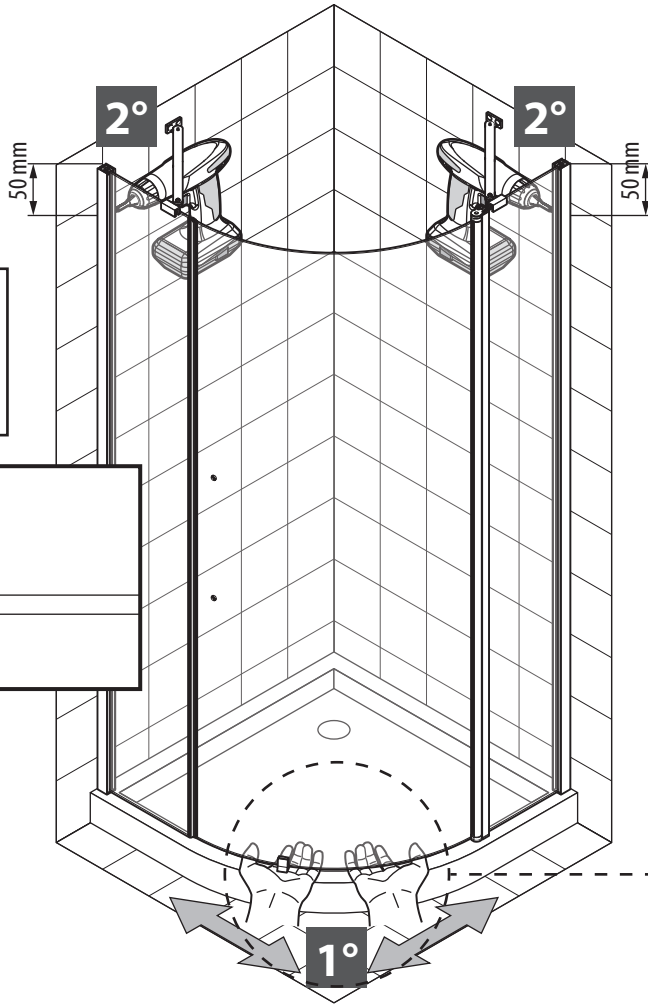
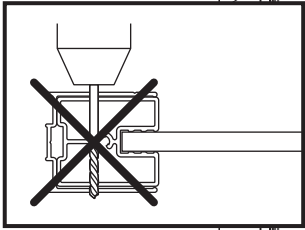
8



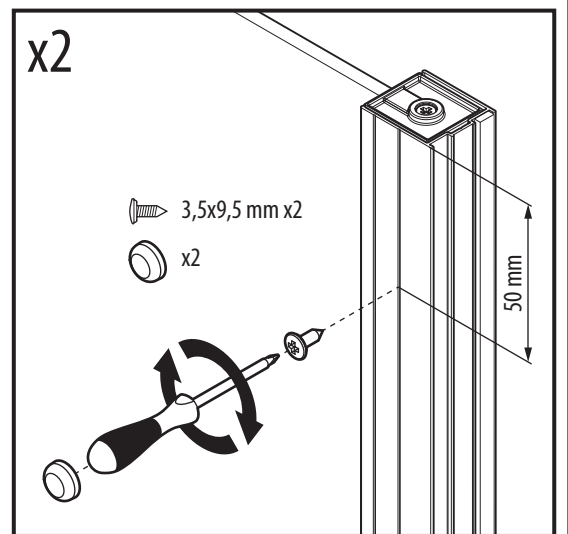
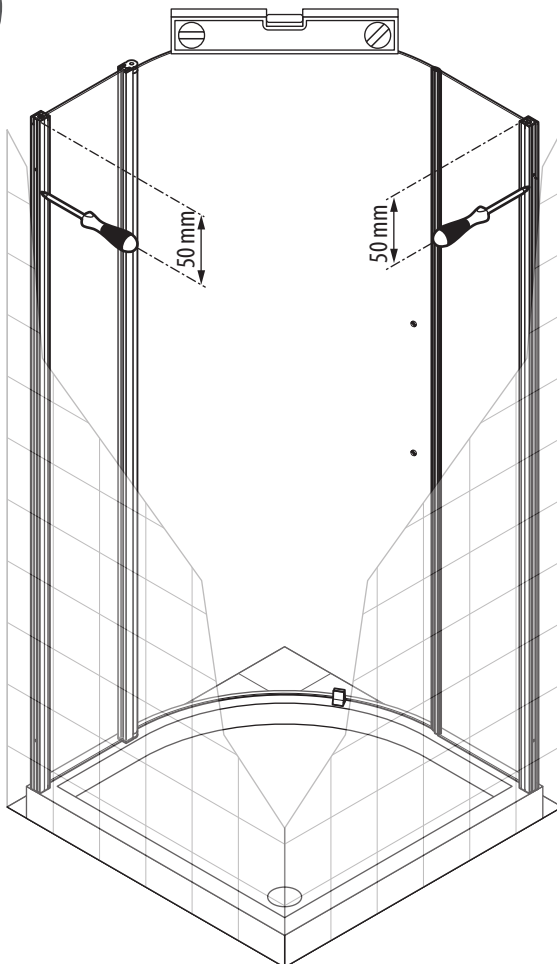
3,5x32 x2



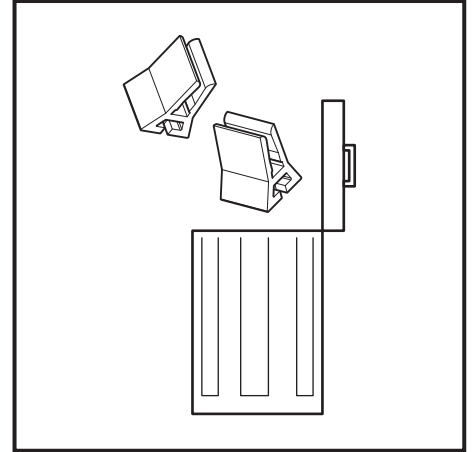
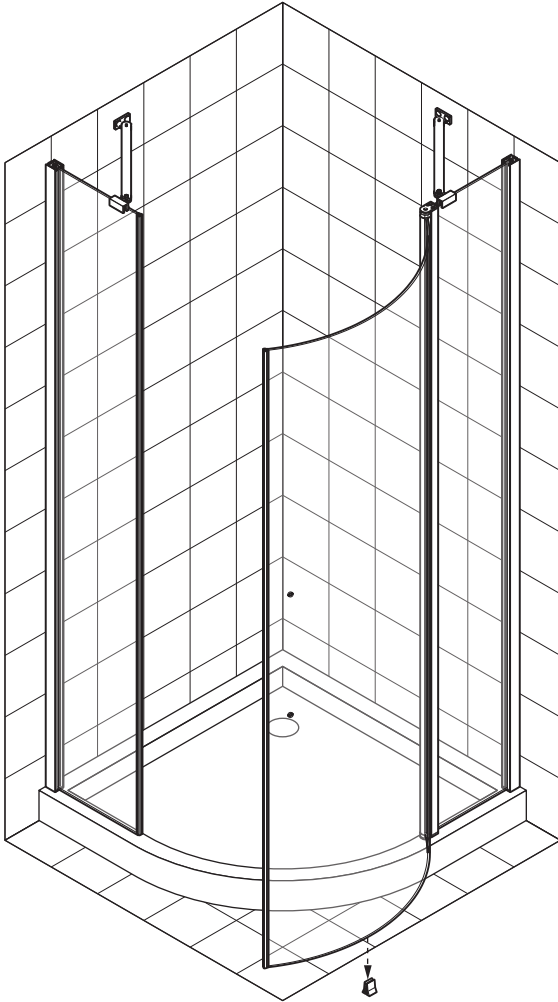
9



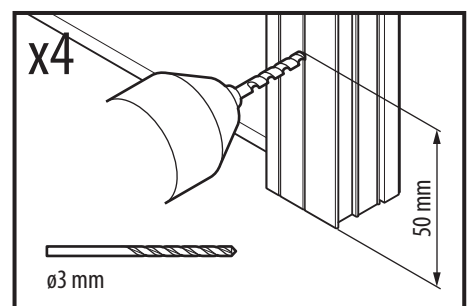
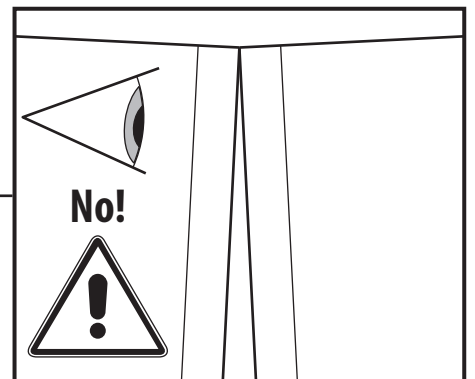
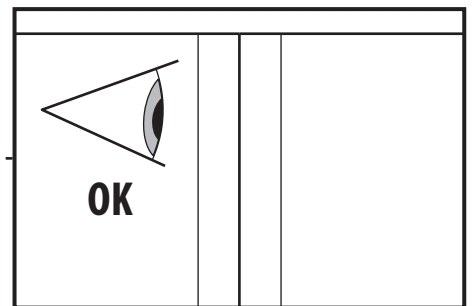
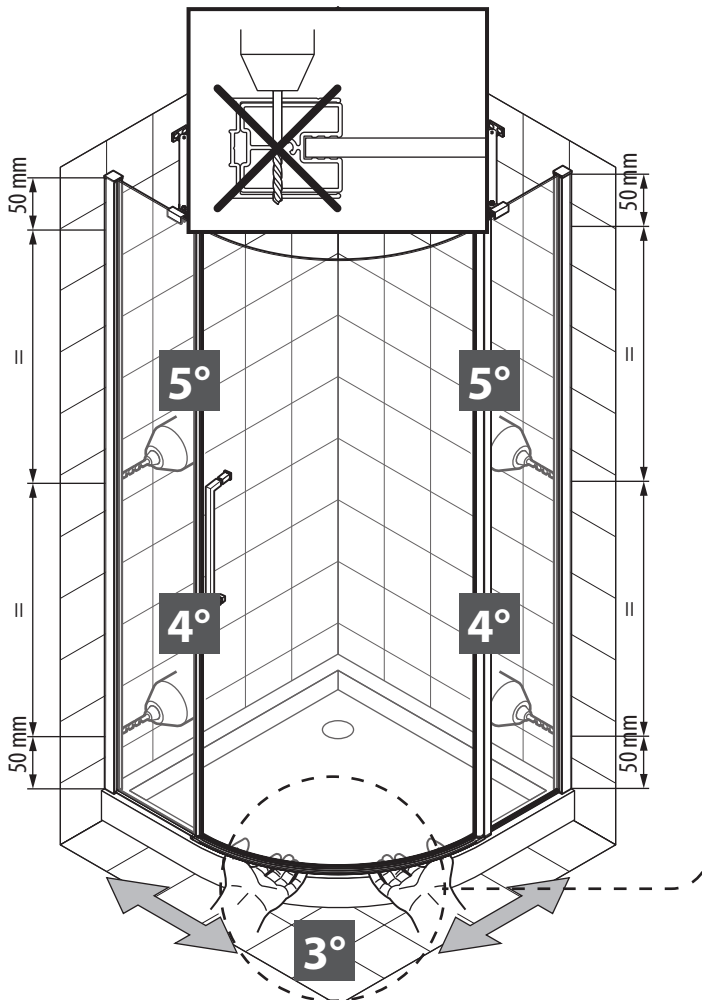
10



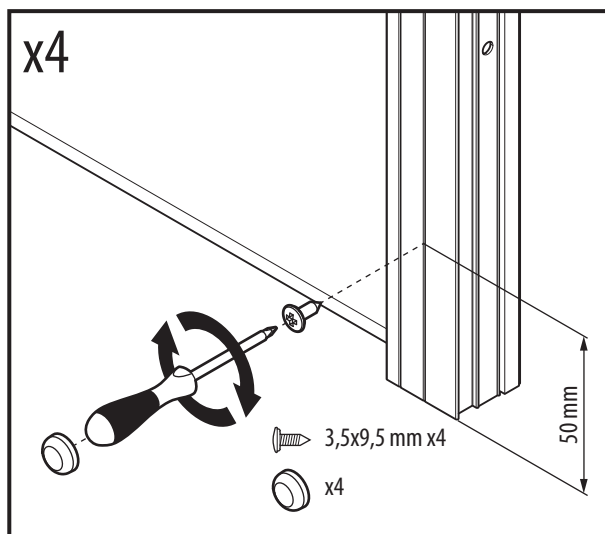
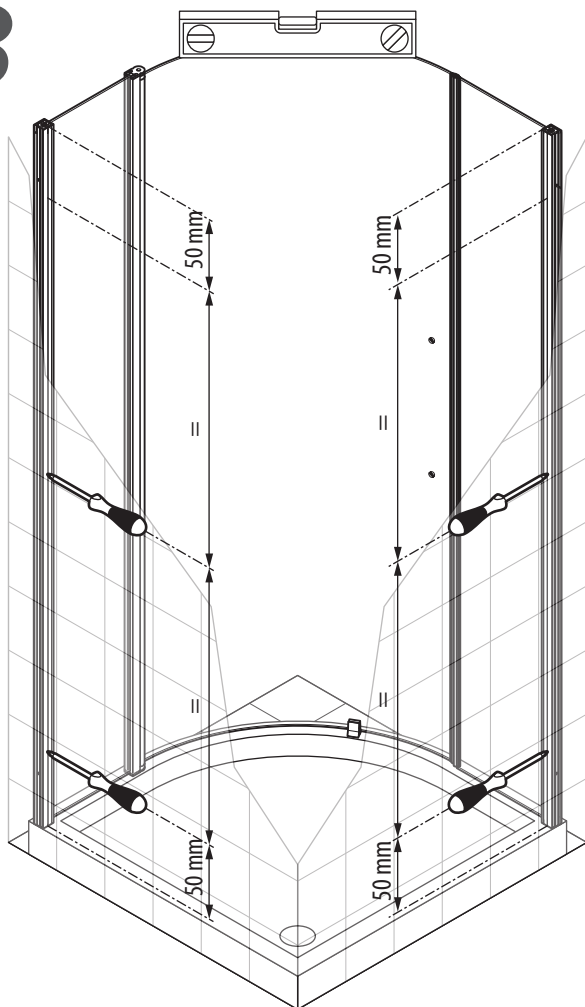
11



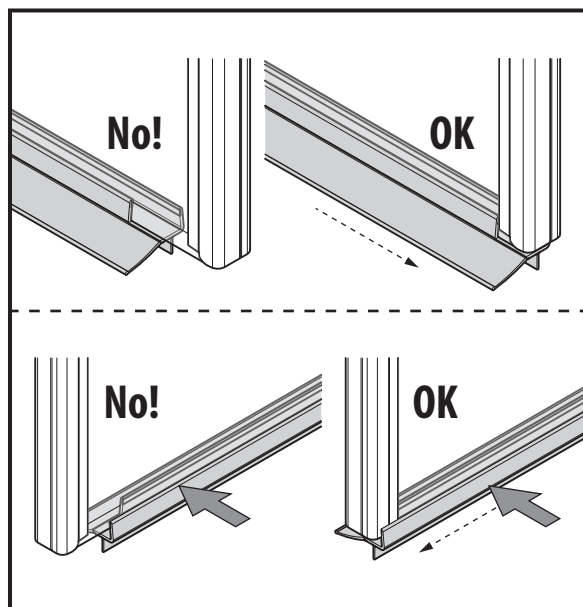
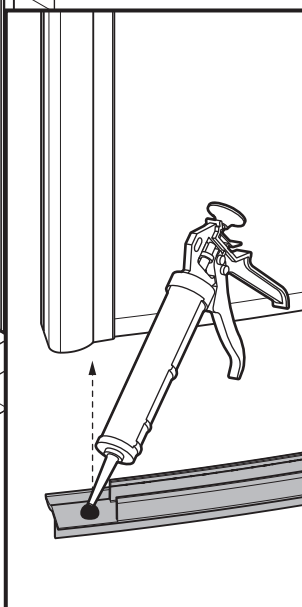
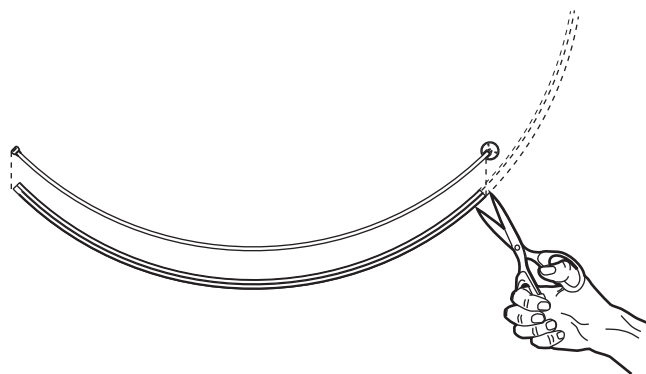
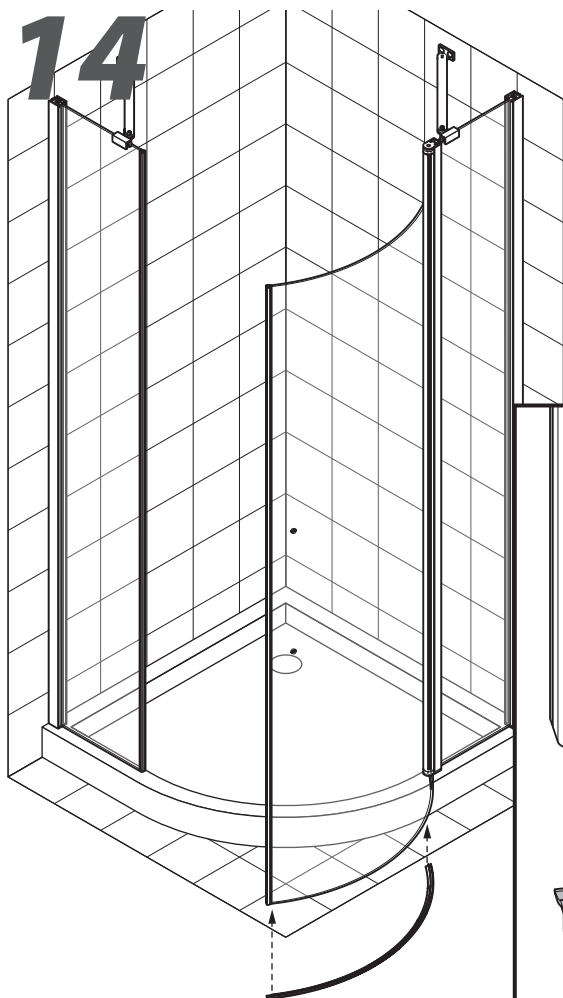
12



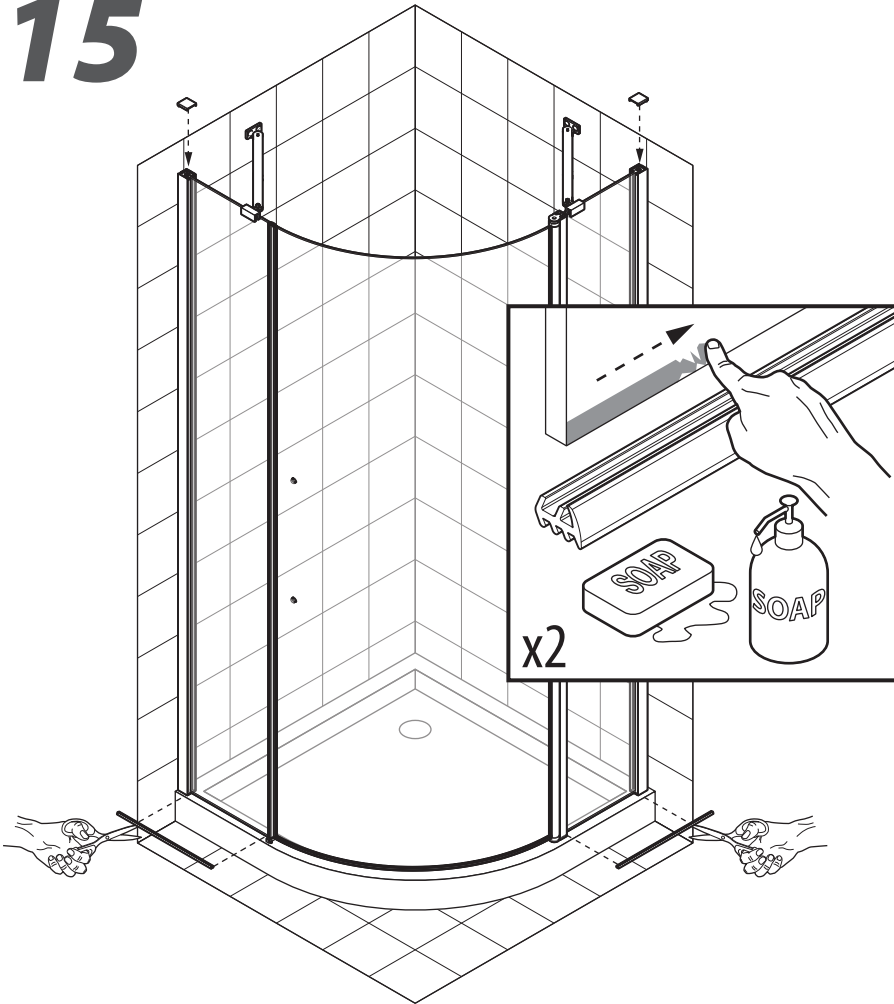
13



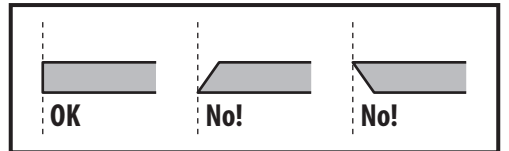
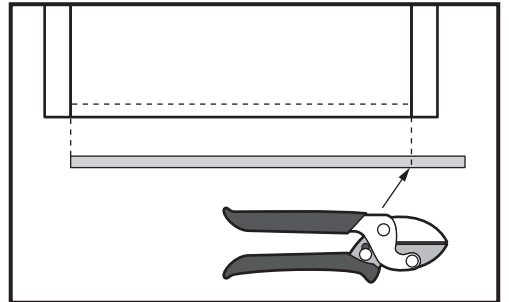
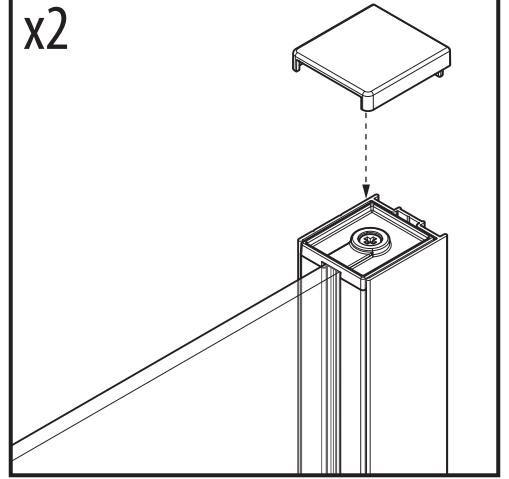
14



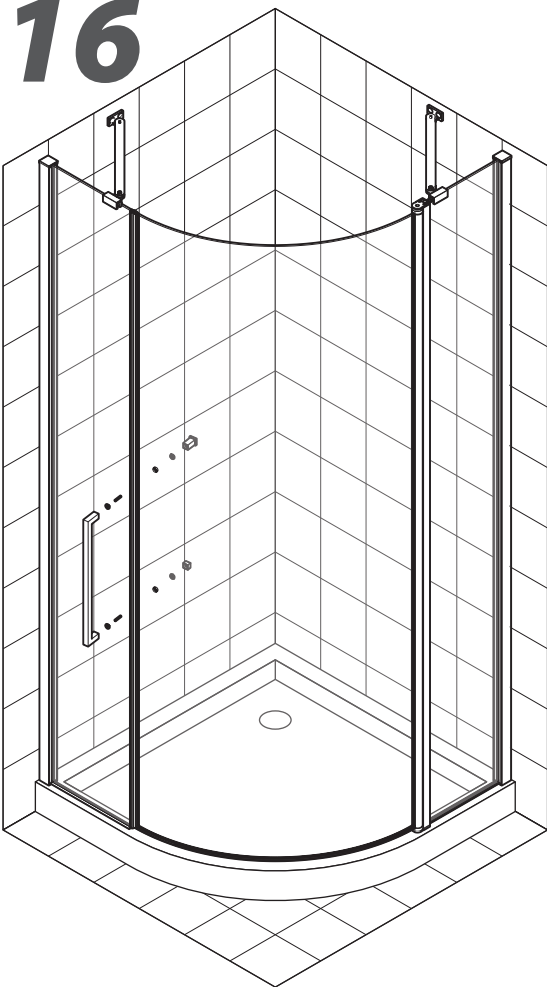
15



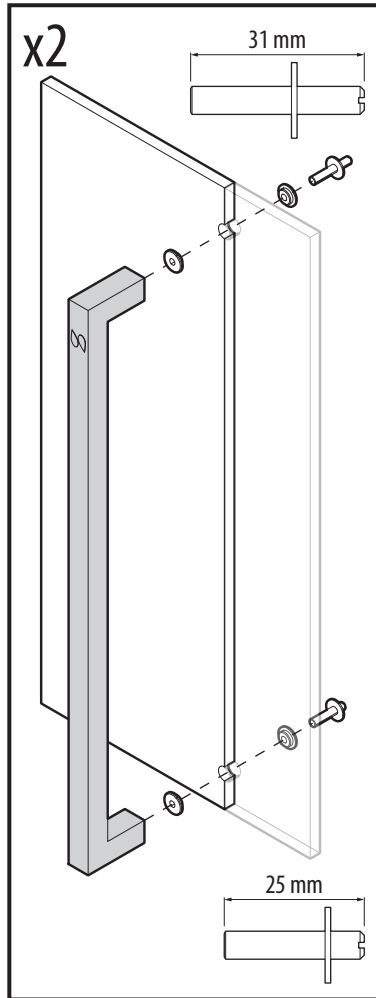
x2



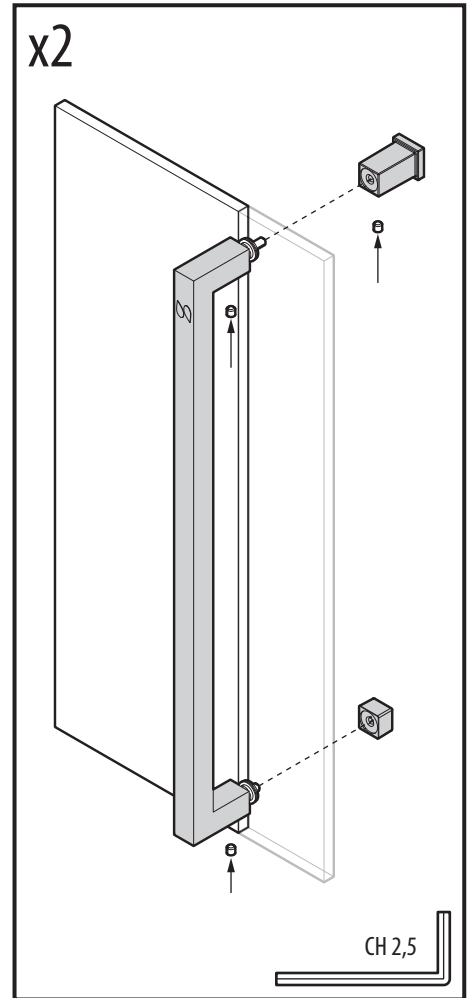
16



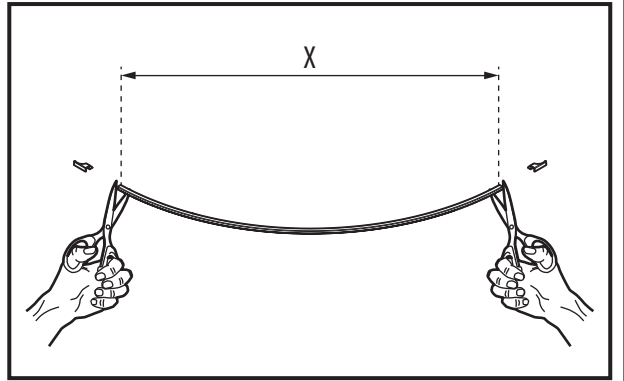
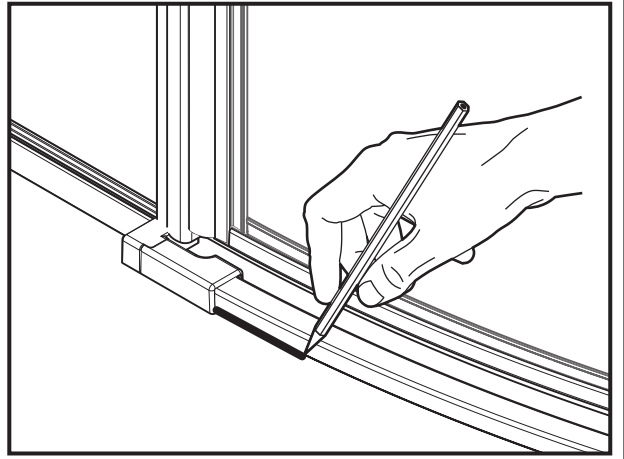
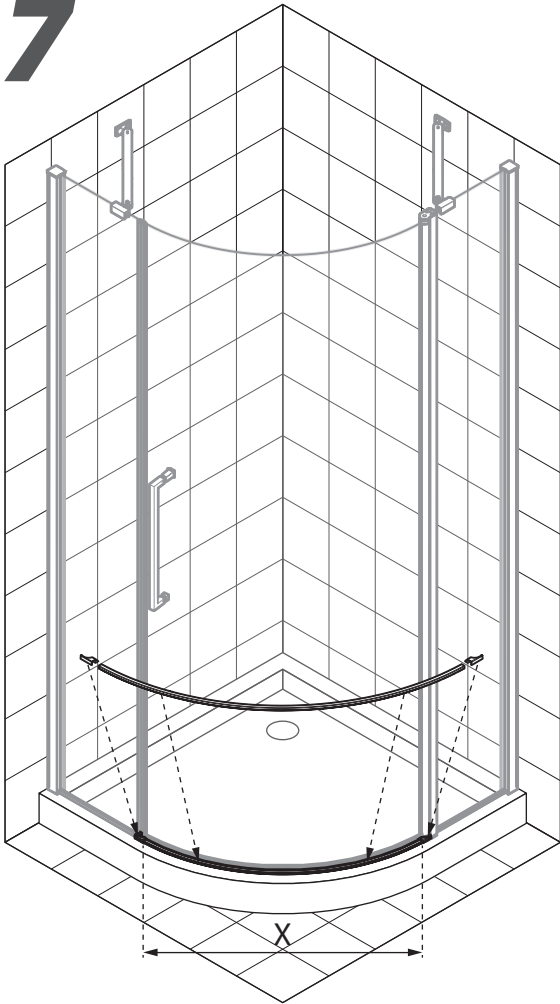
x2



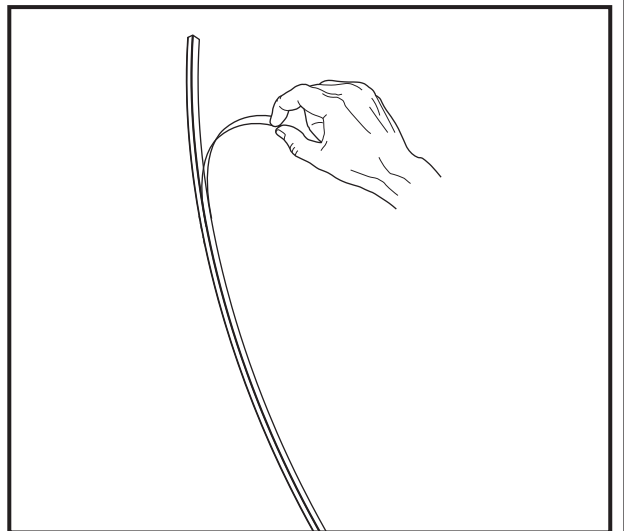
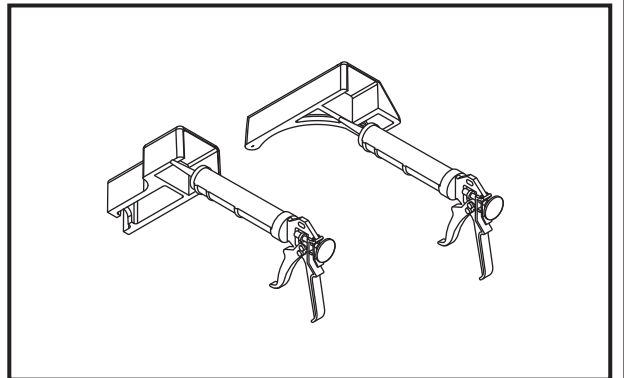
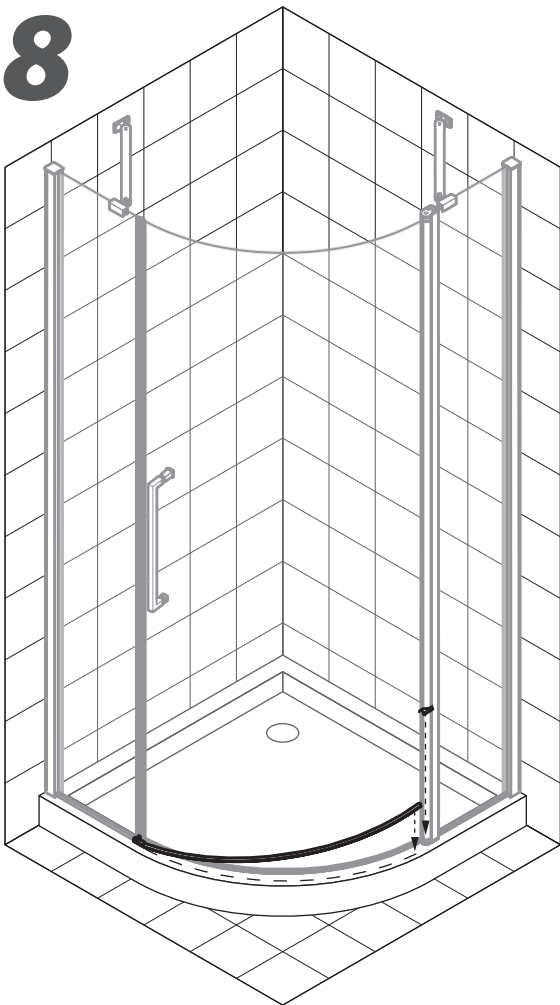
x2



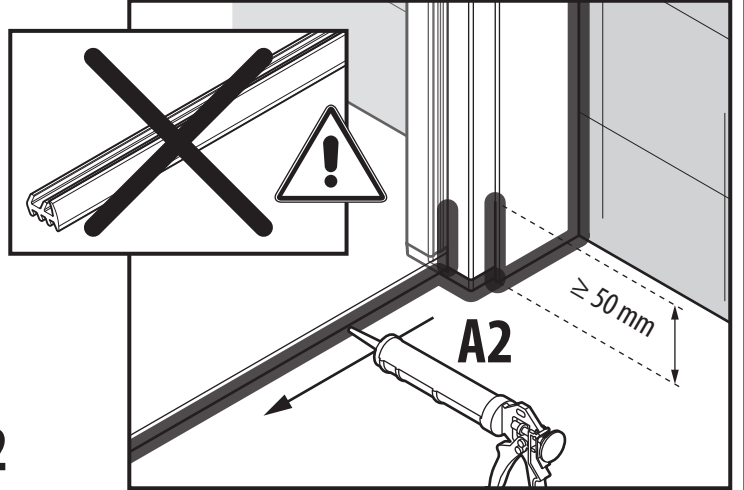
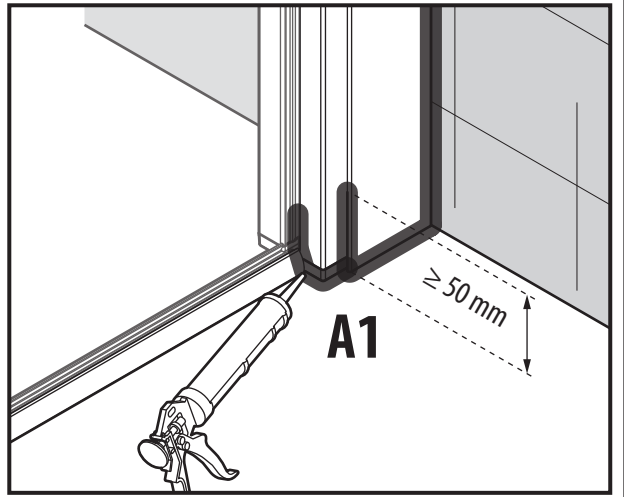
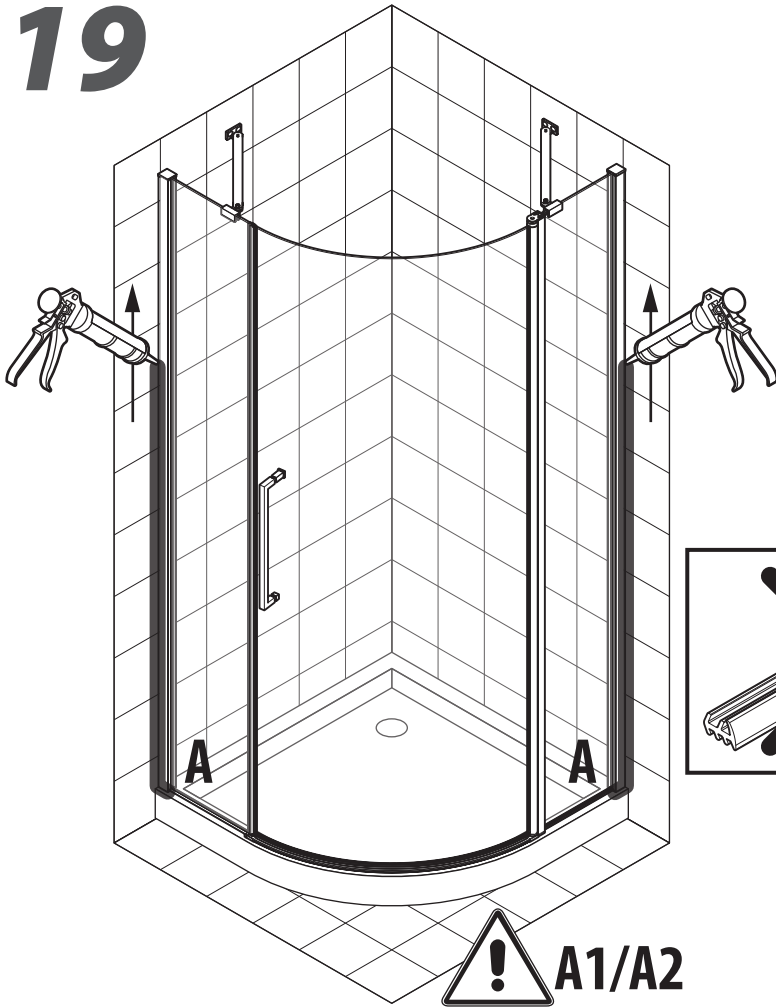
17



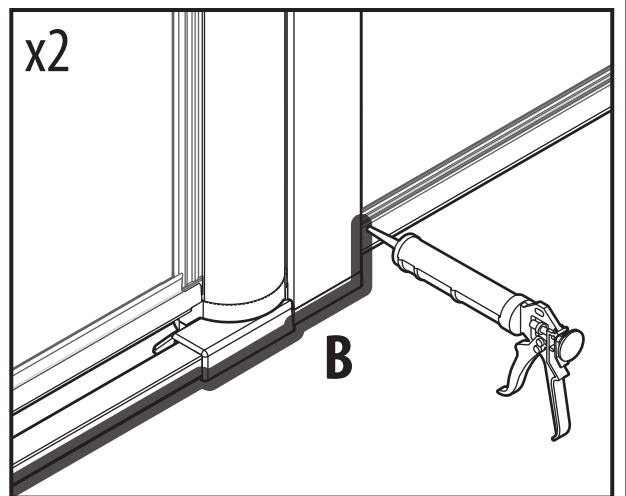
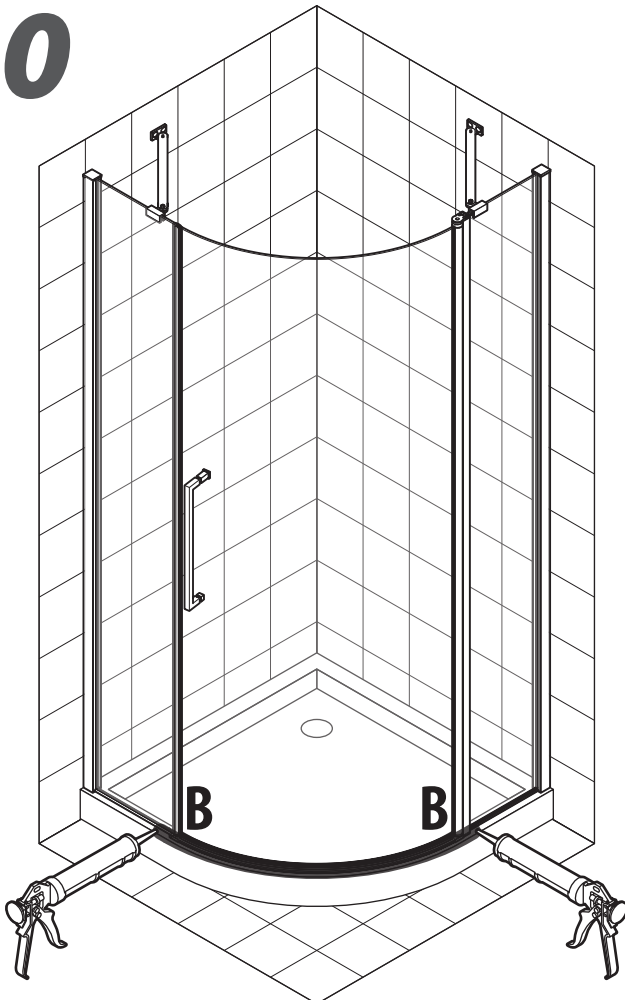
18



19



20



21

