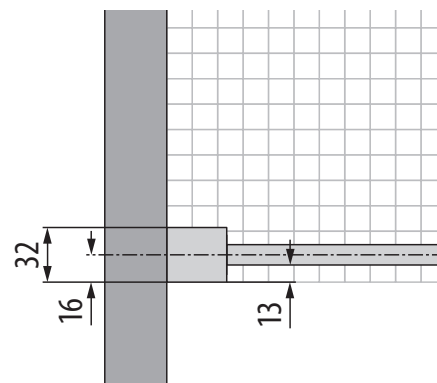
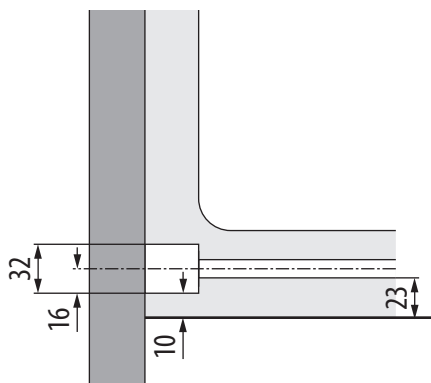
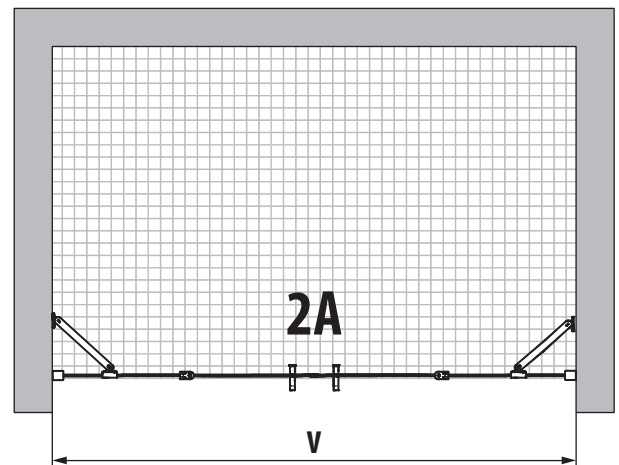
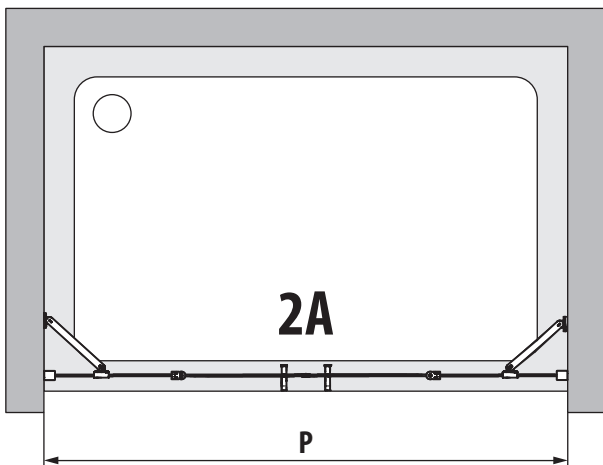


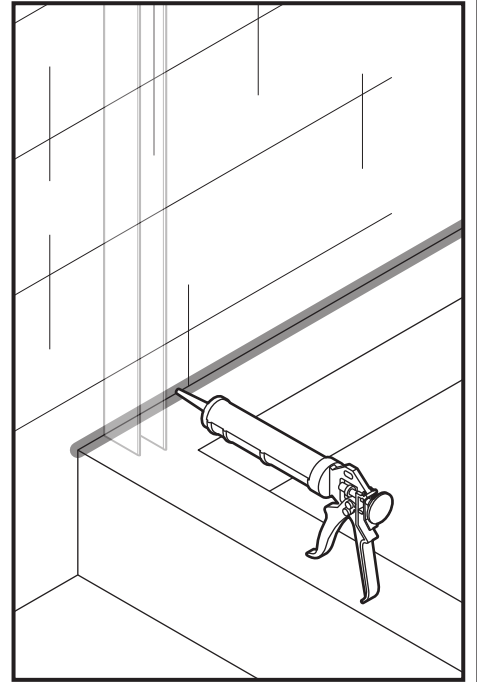
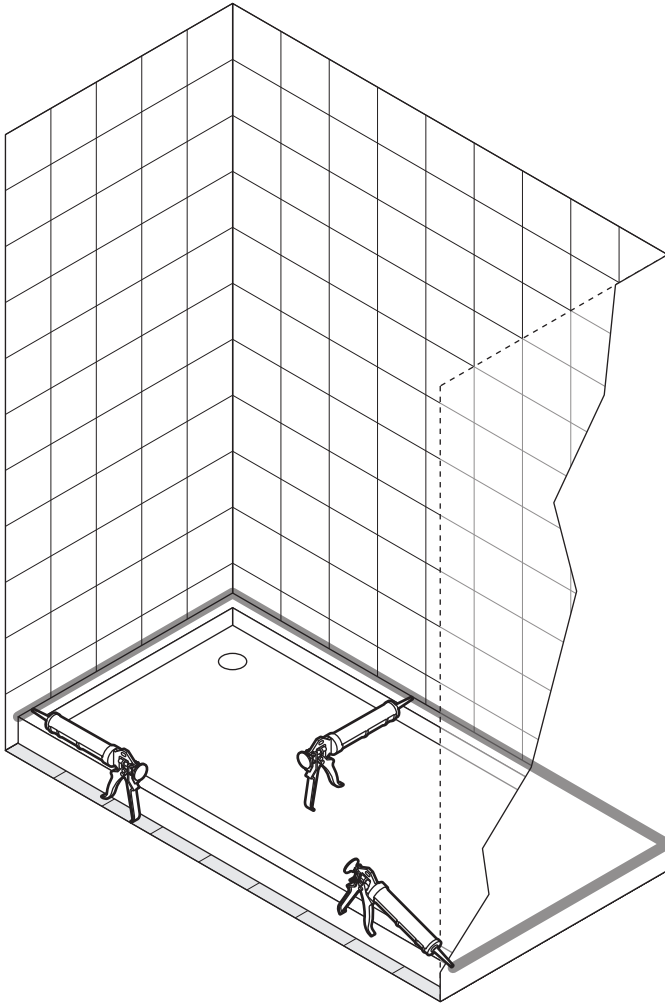



2A	P mm
97	970-1010
117	1170-1210
137	1370-1410
147	1470-1510
157	1570-1610
167	1670-1710
177	1770-1810

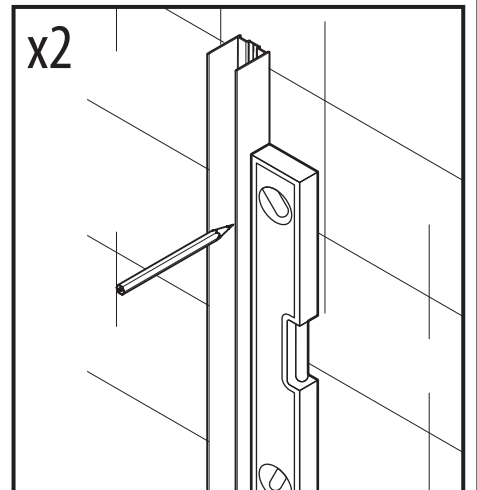
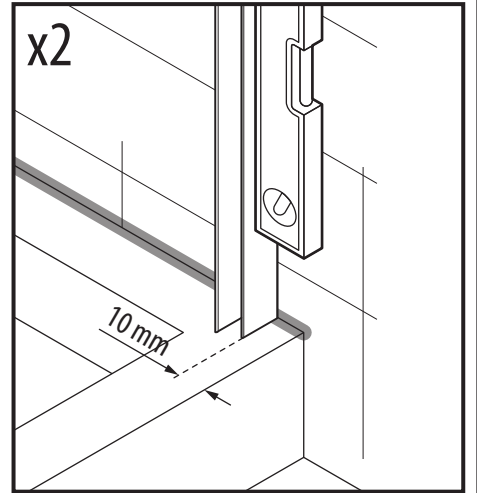
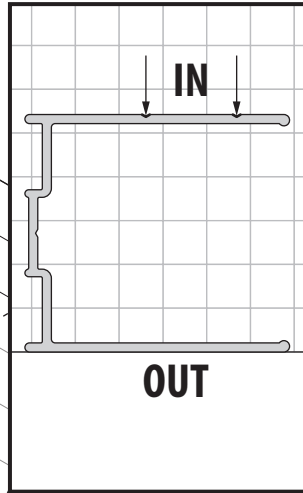
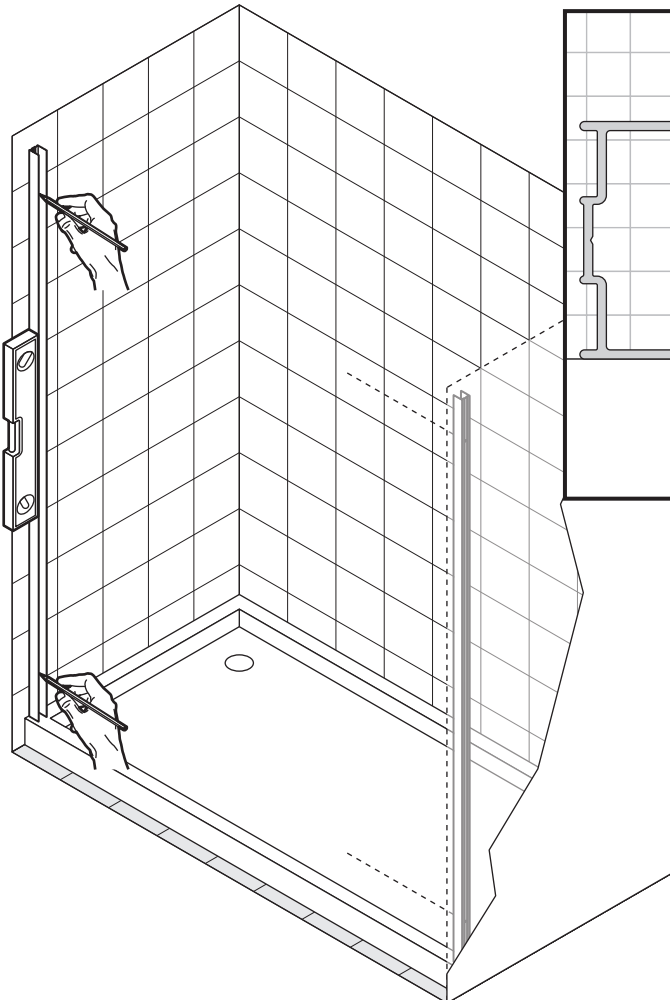
2A	V mm
97	970-1010
117	1170-1210
137	1370-1410
147	1470-1510
157	1570-1610
167	1670-1710
177	1770-1810



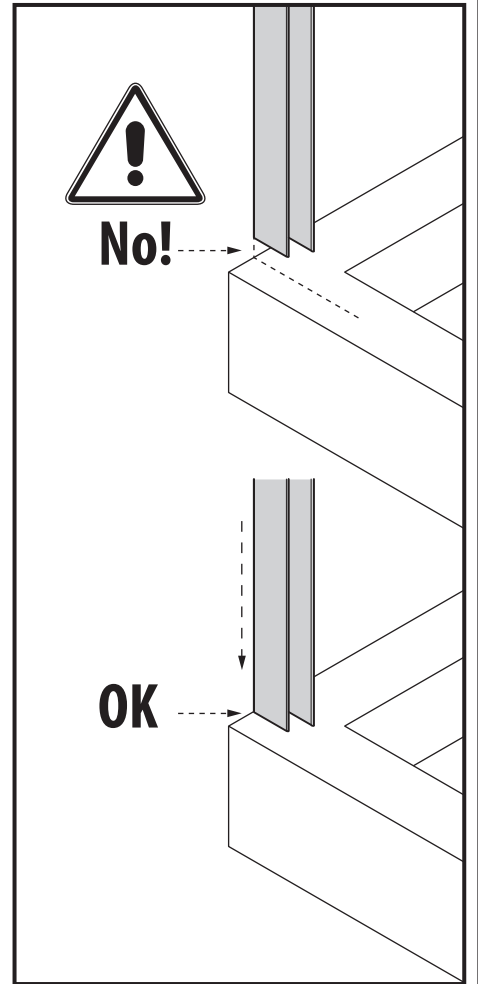
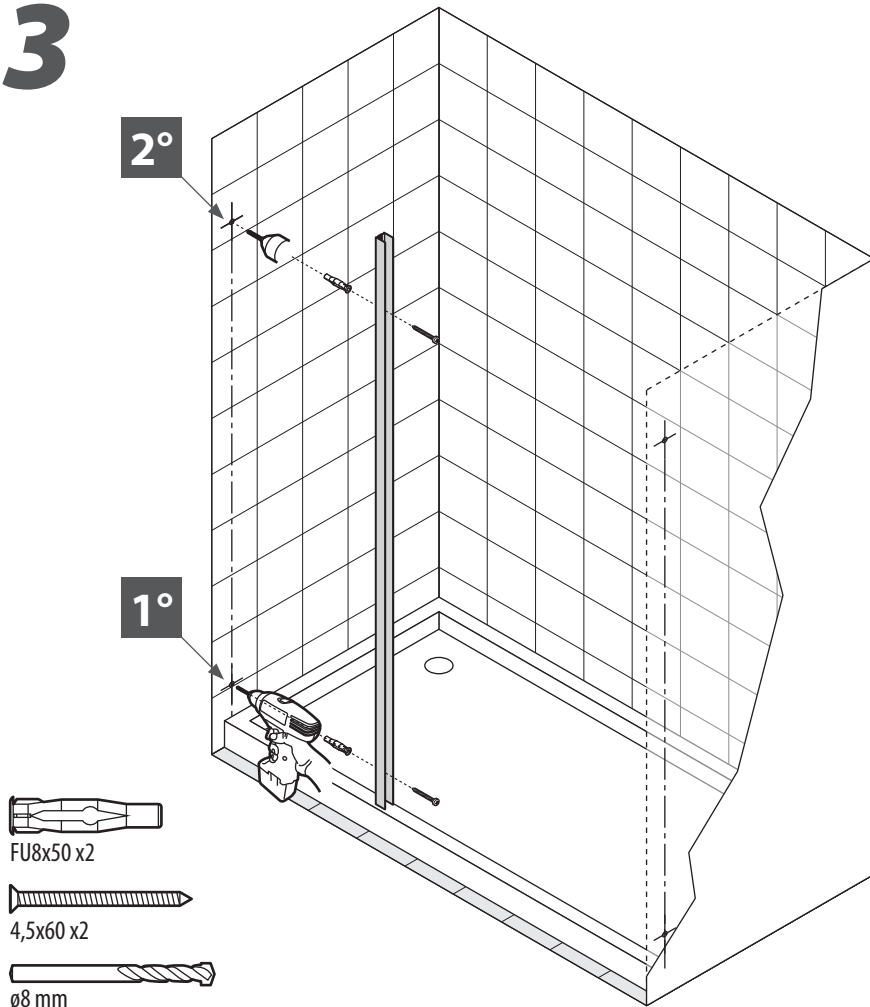
# 1



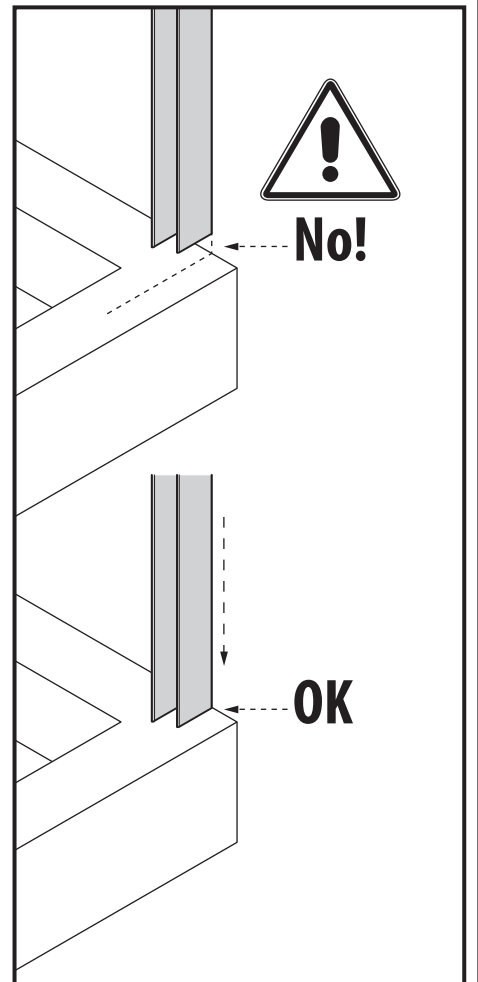
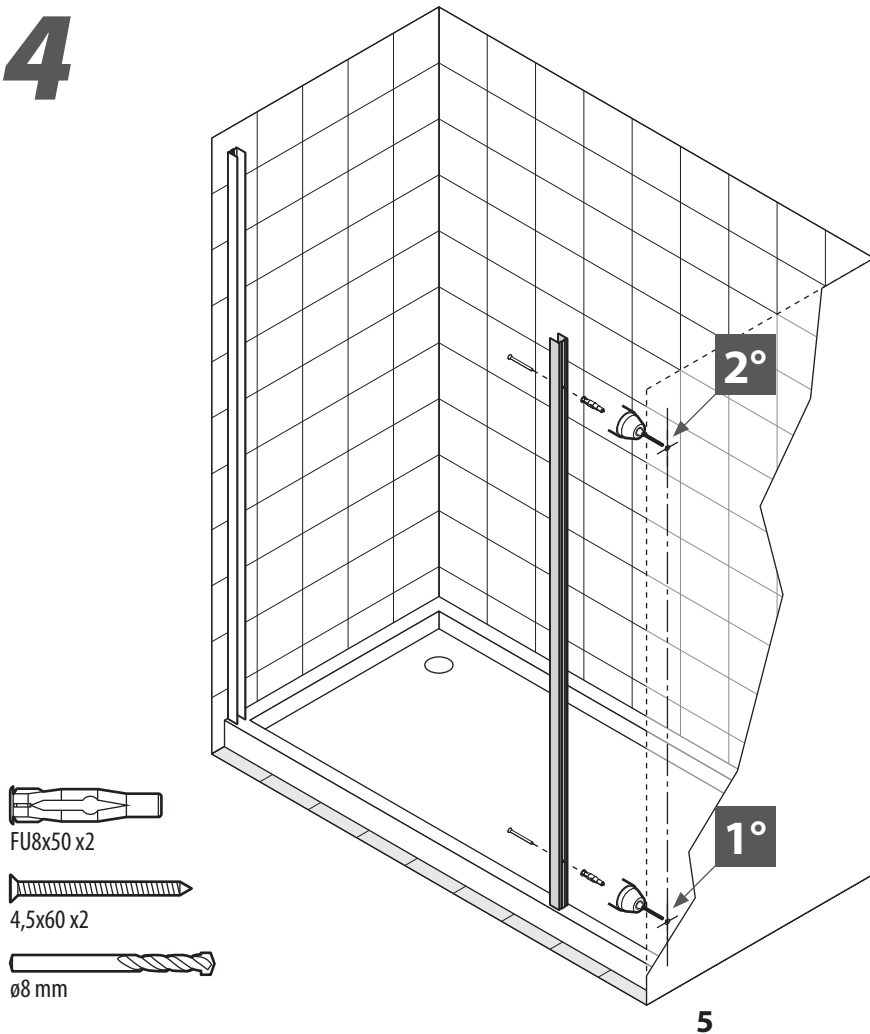
# 2



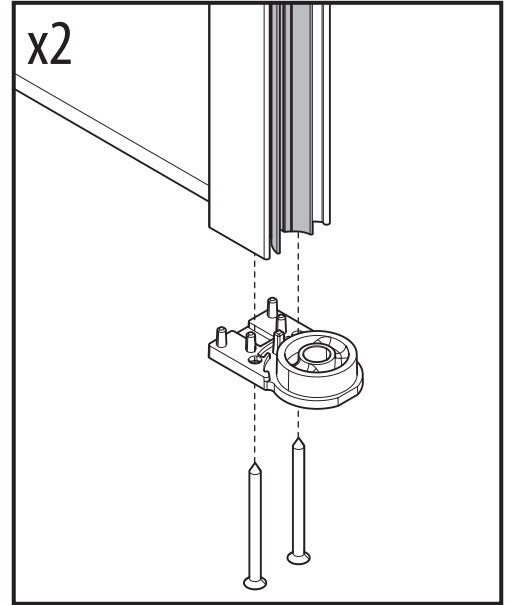
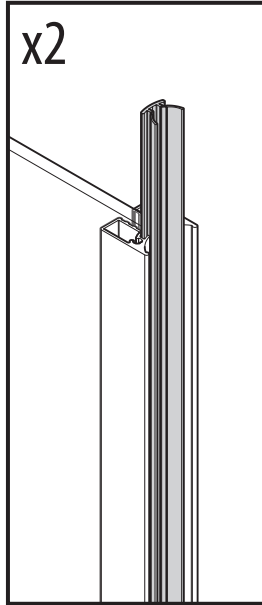
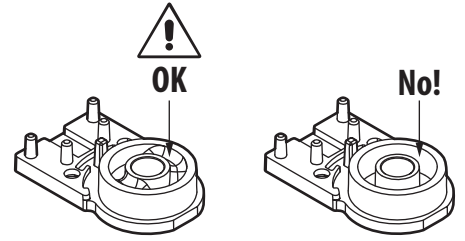
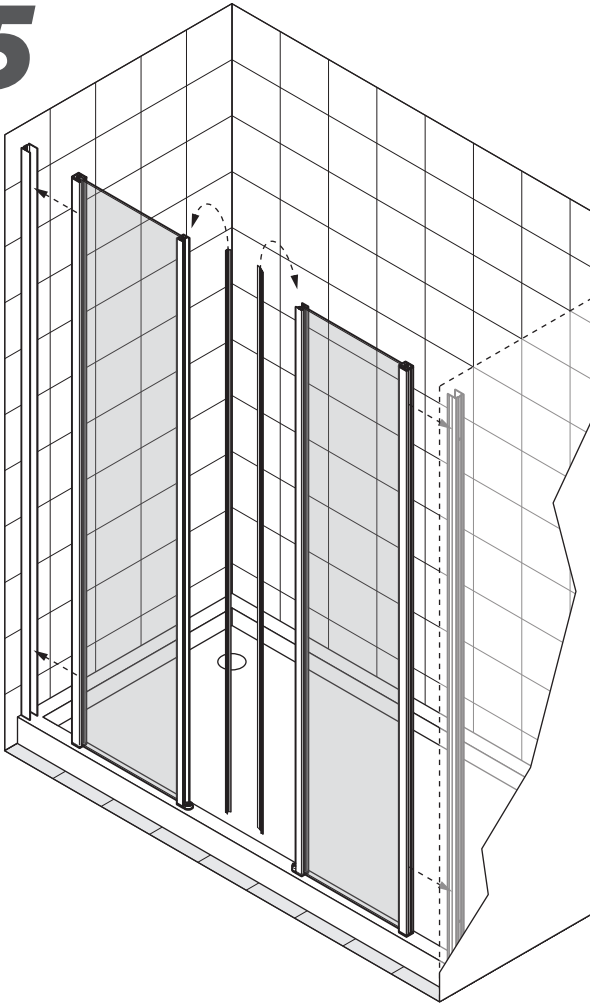
# 3




# 4

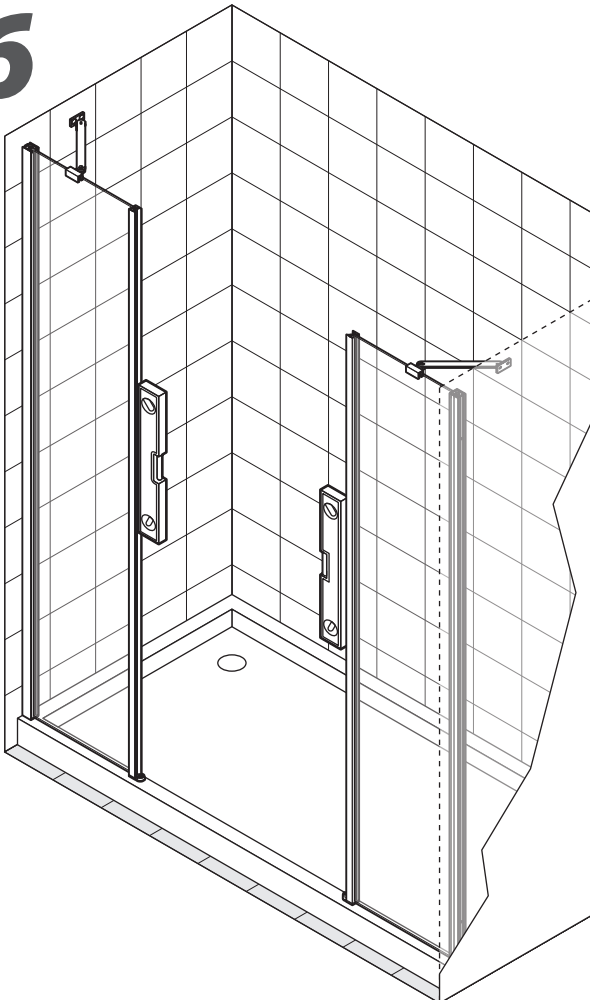


# 5

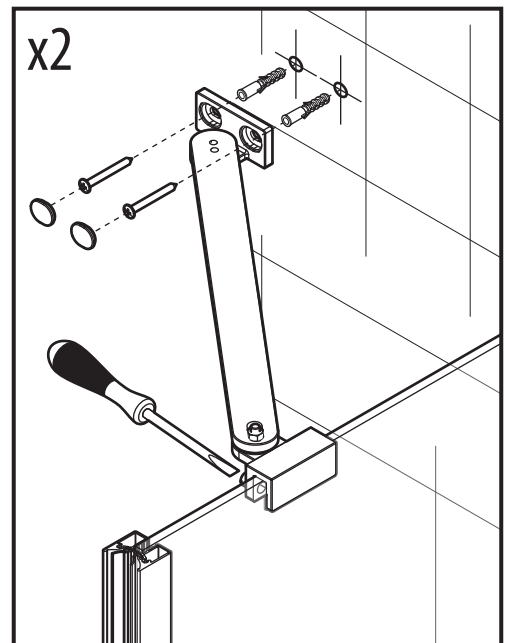
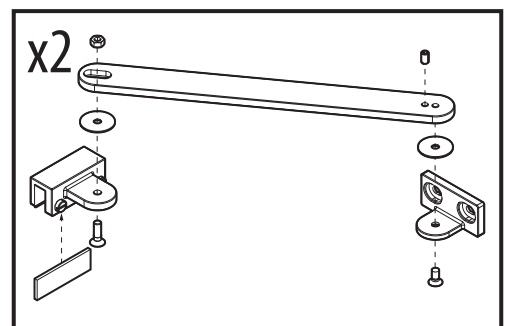



 3,5x32 x4


# 6




-  M5 x2
-  M5x8 x2
-  M5x10 x2
-  M5x16 x2

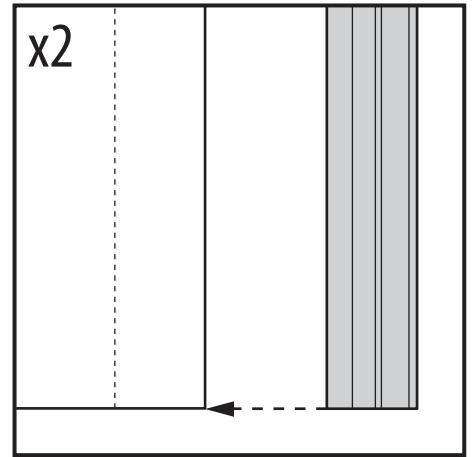
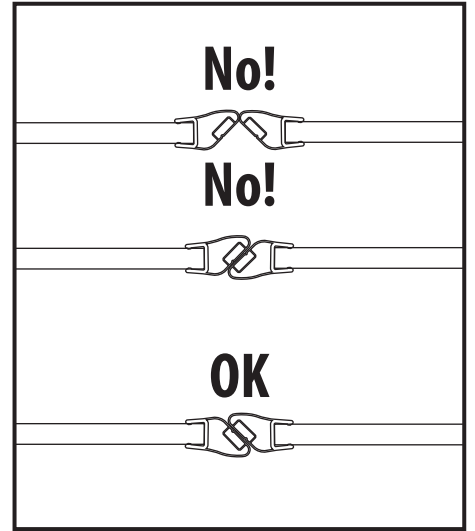
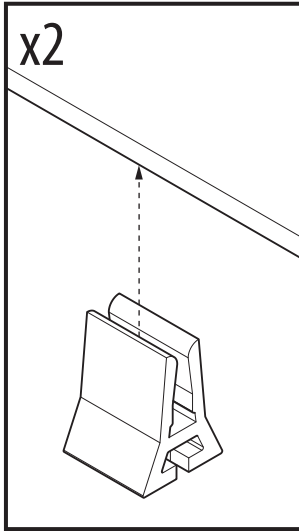
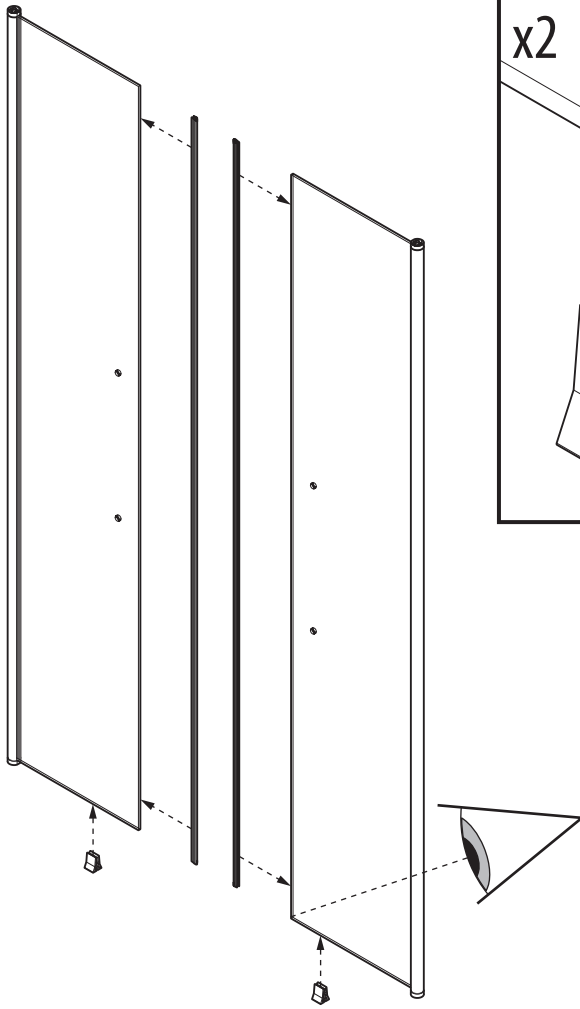


 S6 x4

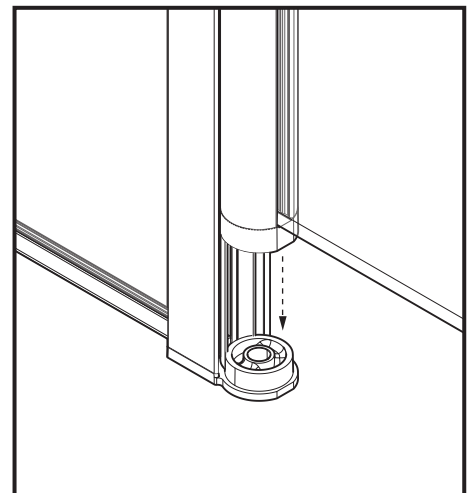
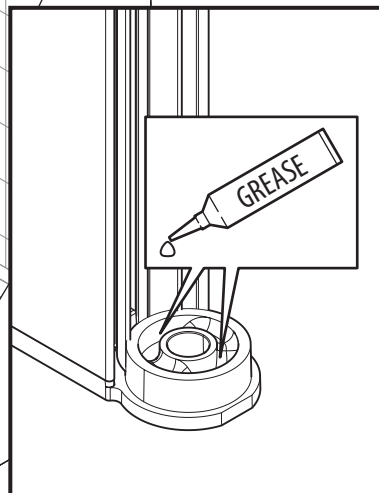
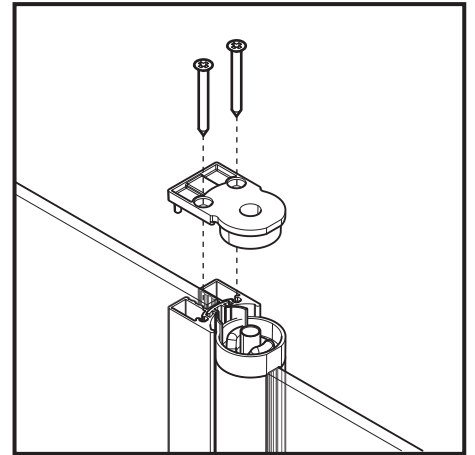
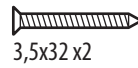
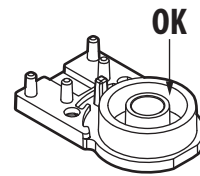
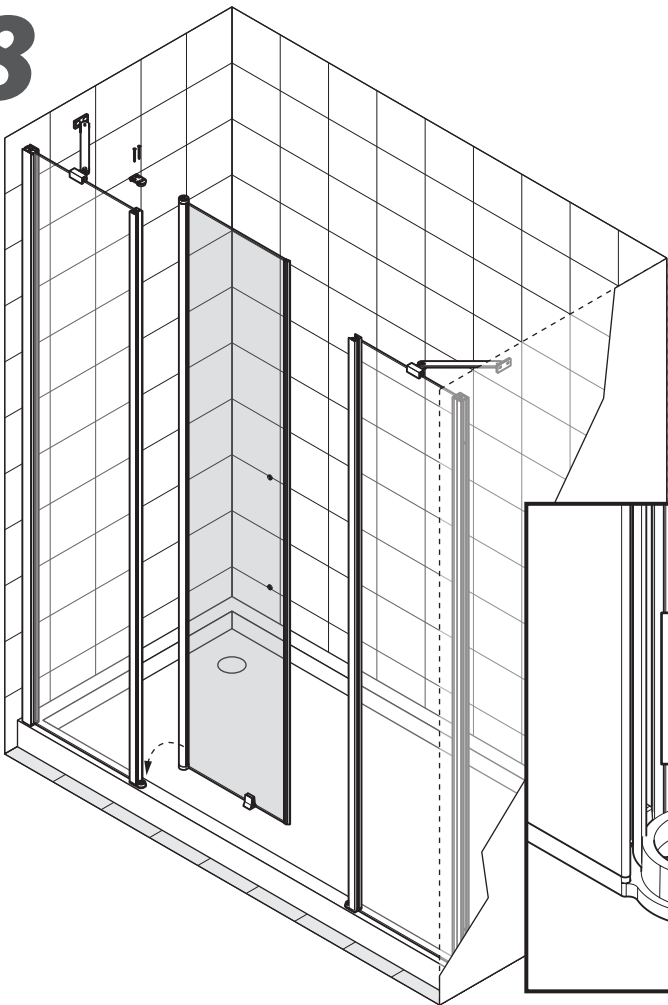
 4x35 x4

 ø6 mm  
**6**

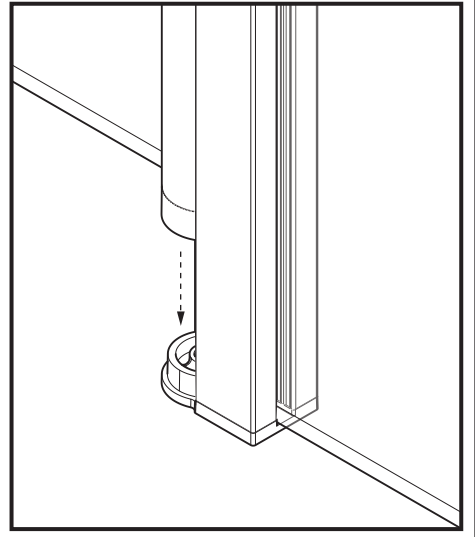
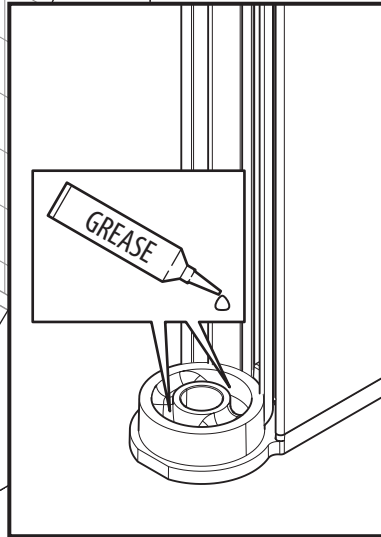
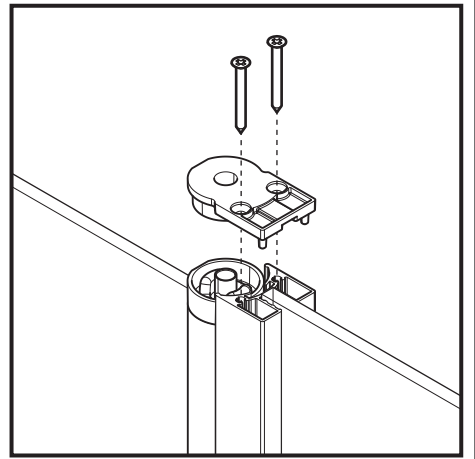
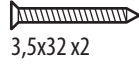
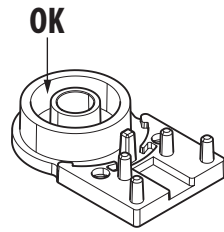
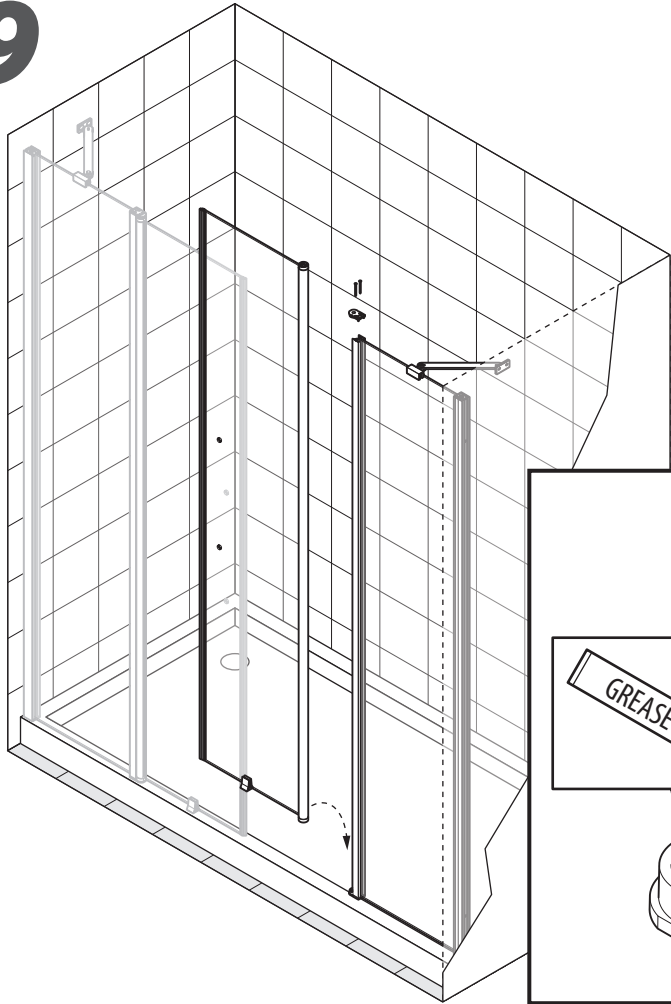
7



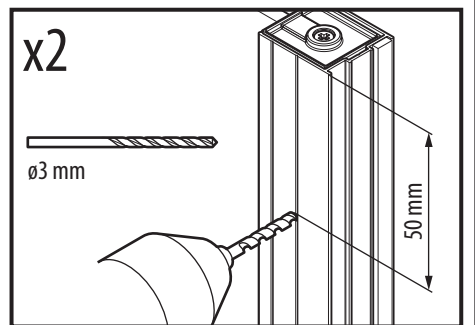
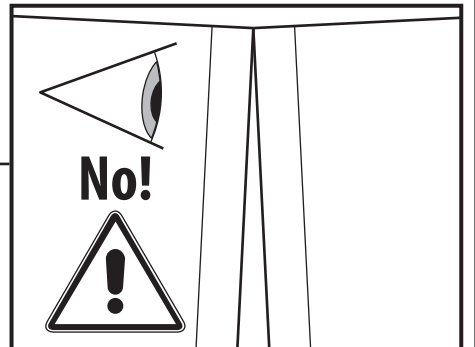
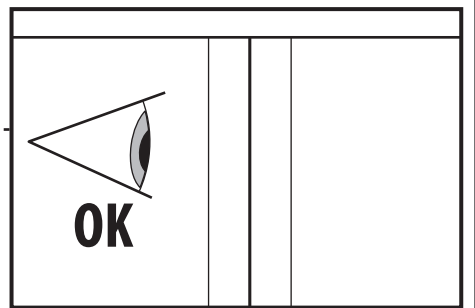
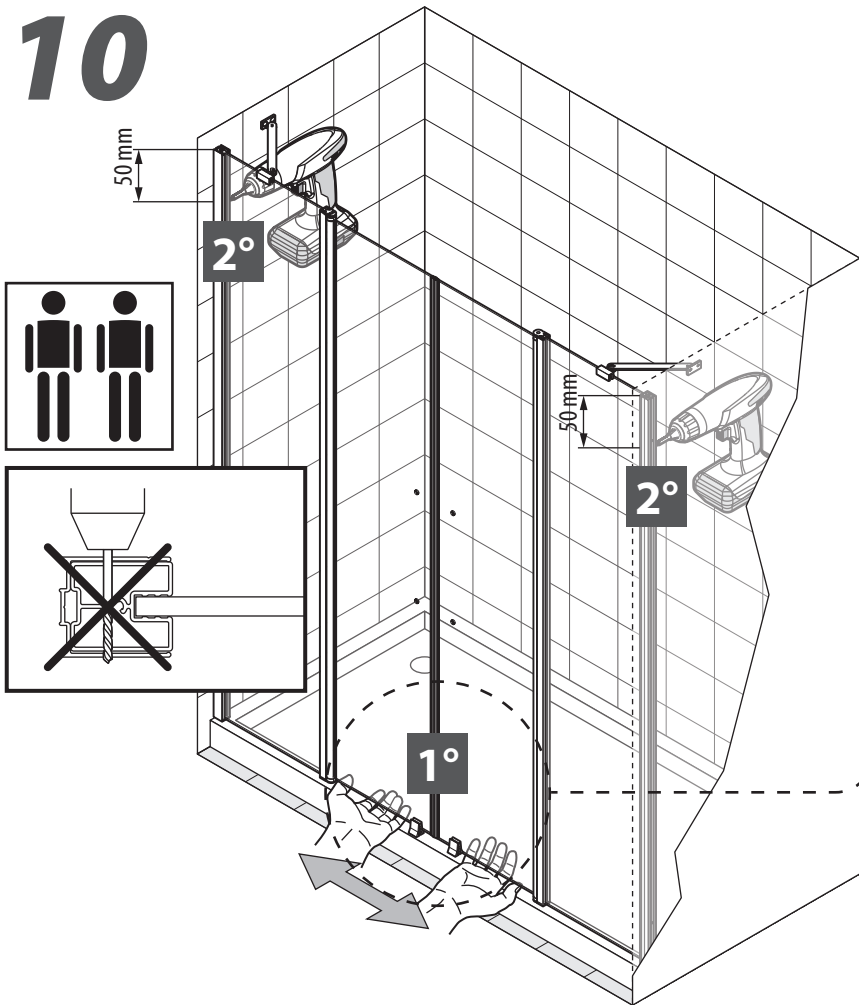
8



# 9

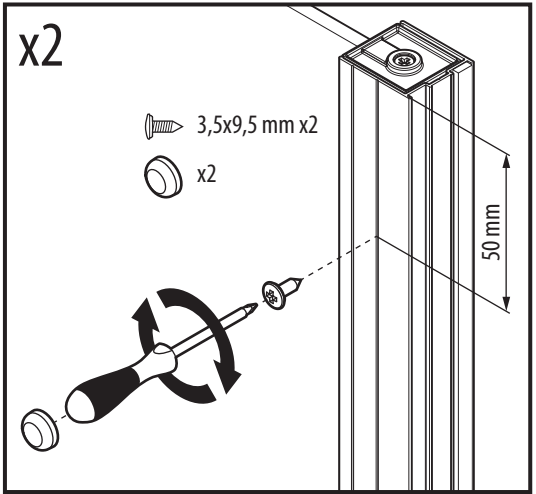


# 10

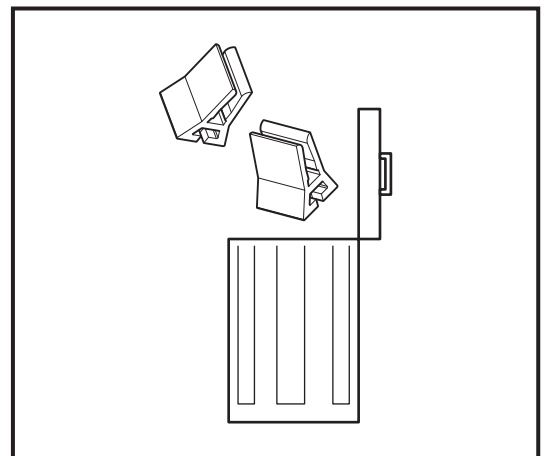
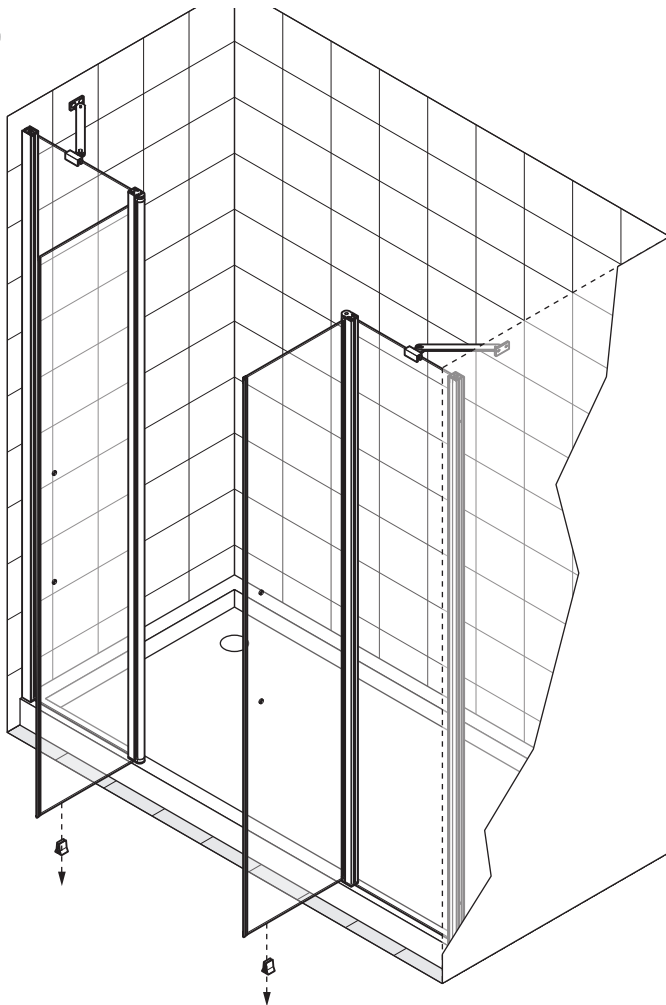




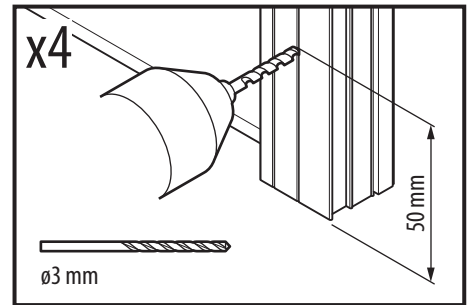
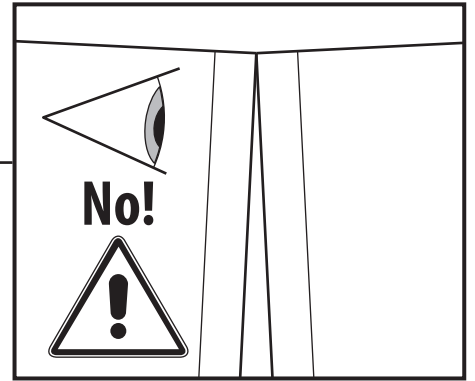
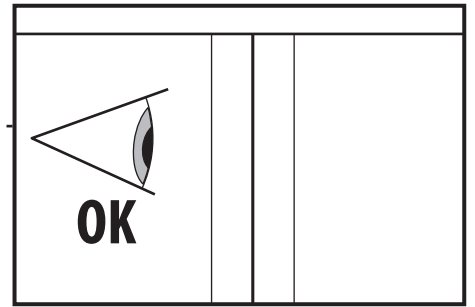
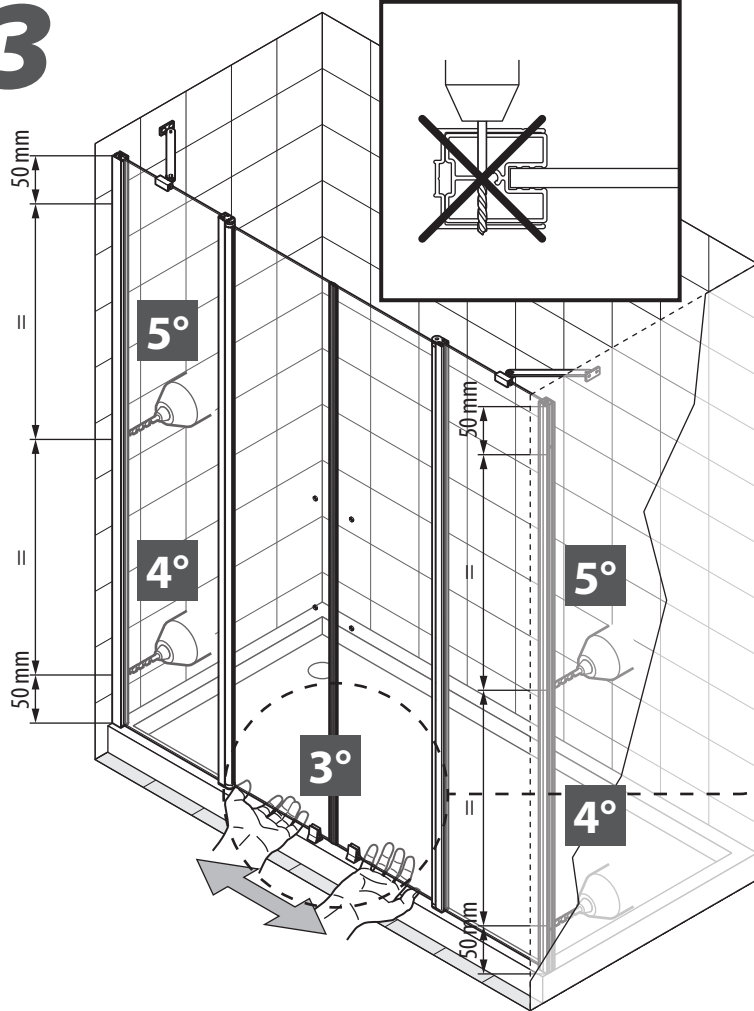
# 11



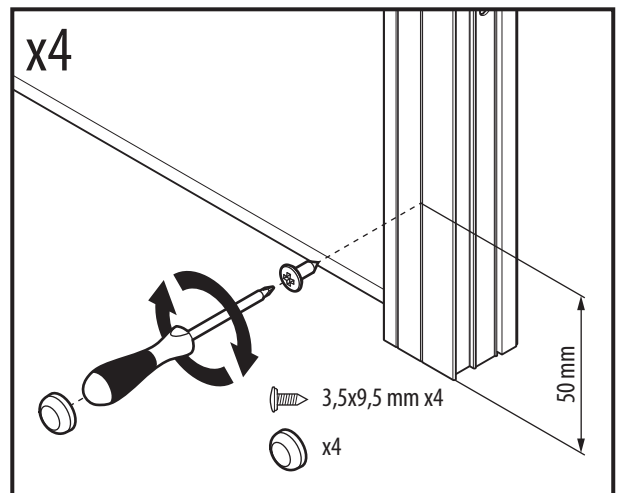
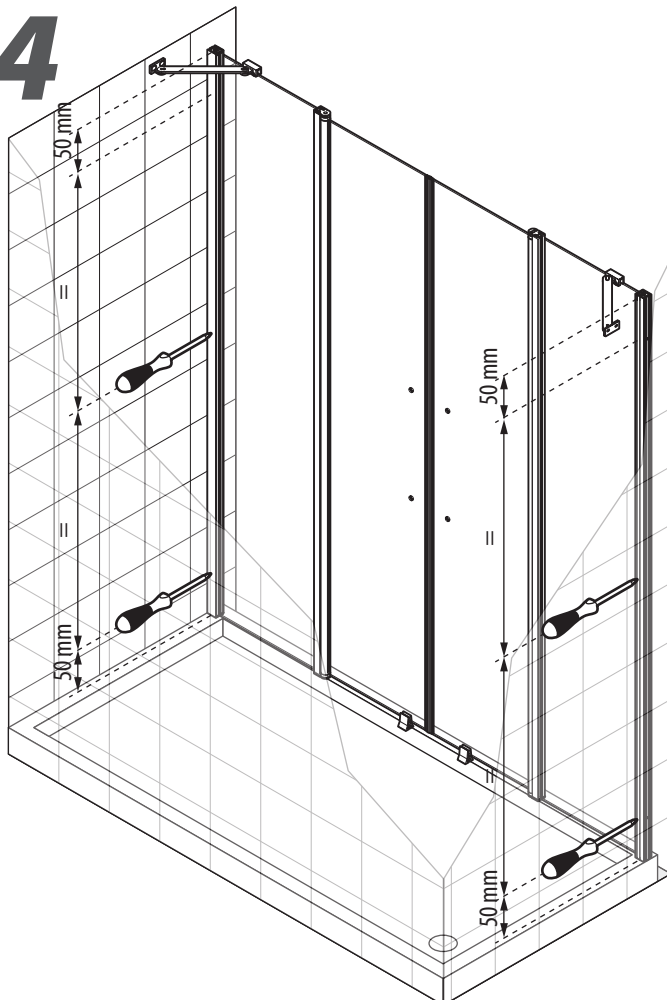
# 12



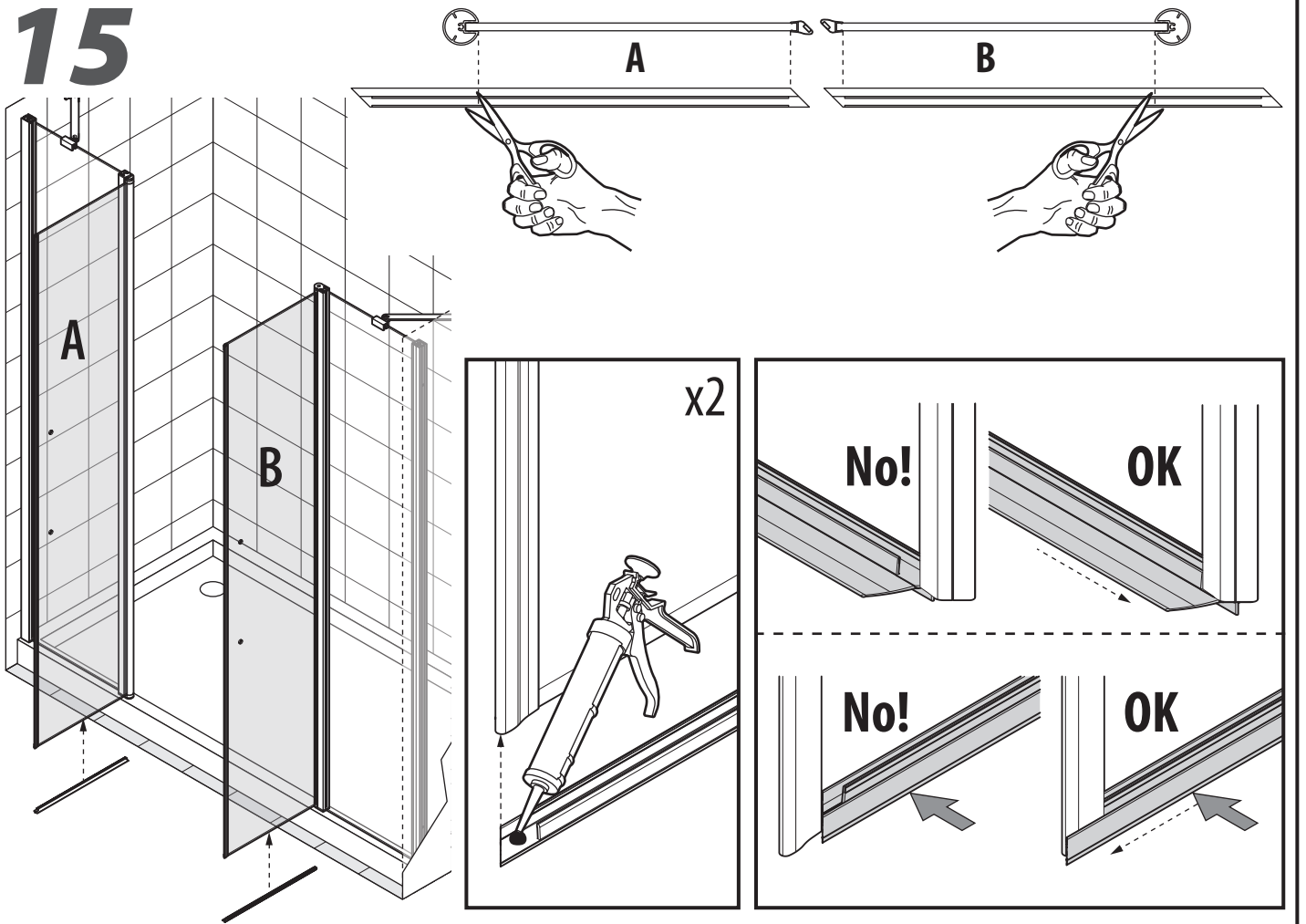
# 13



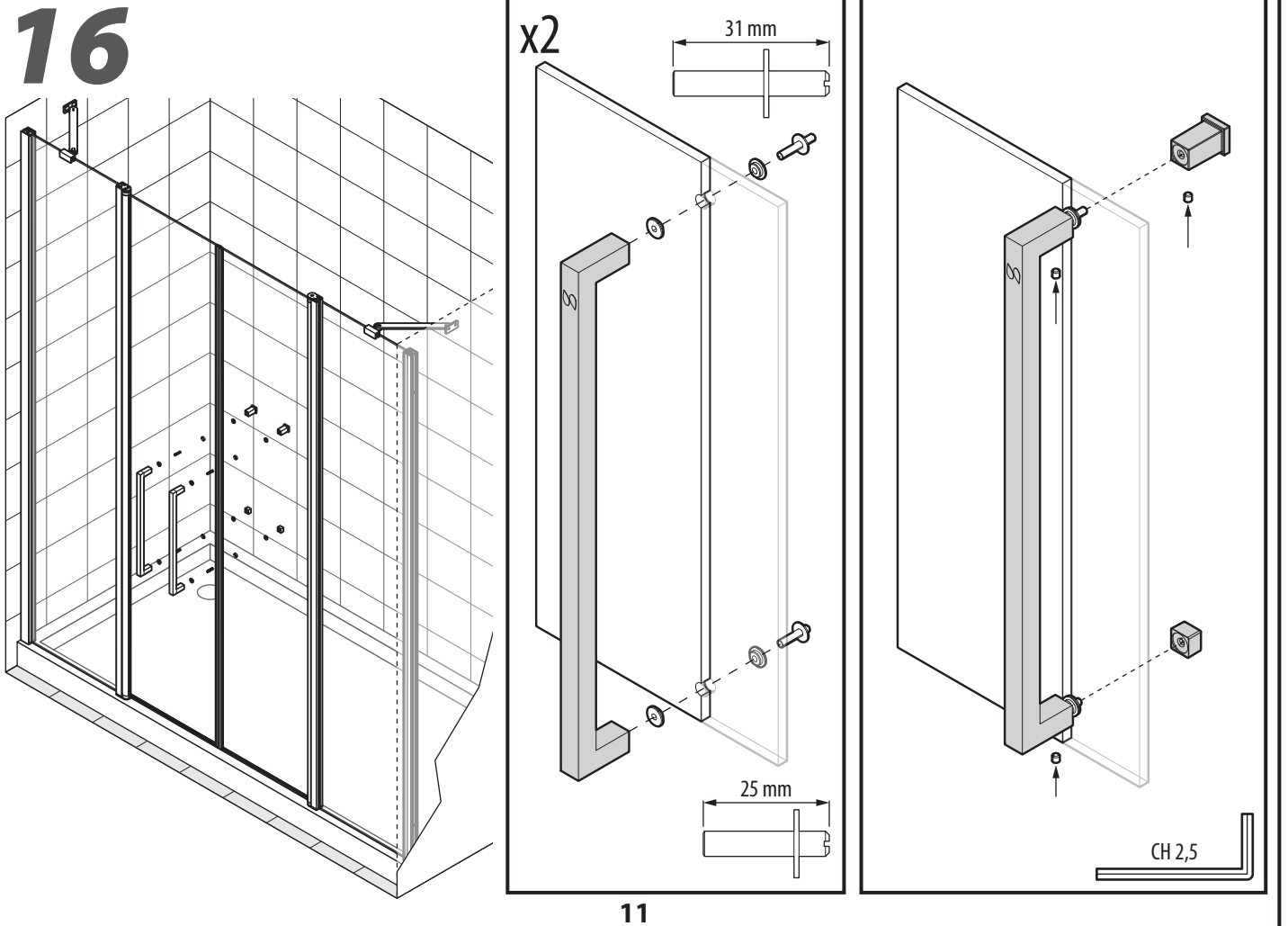
# 14



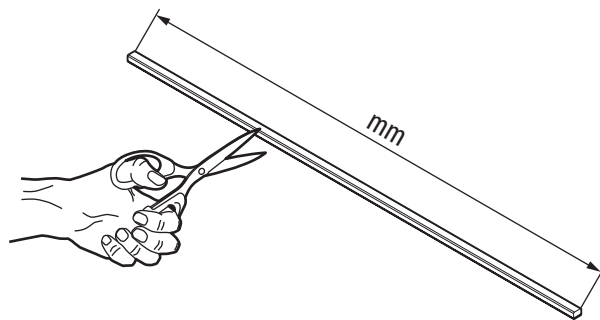
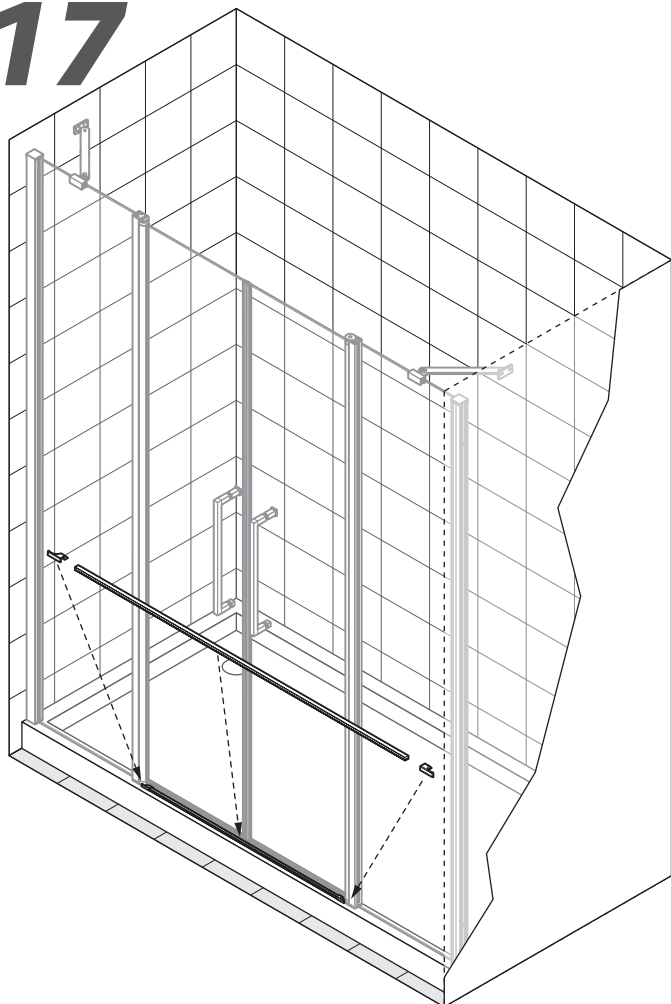
# 15



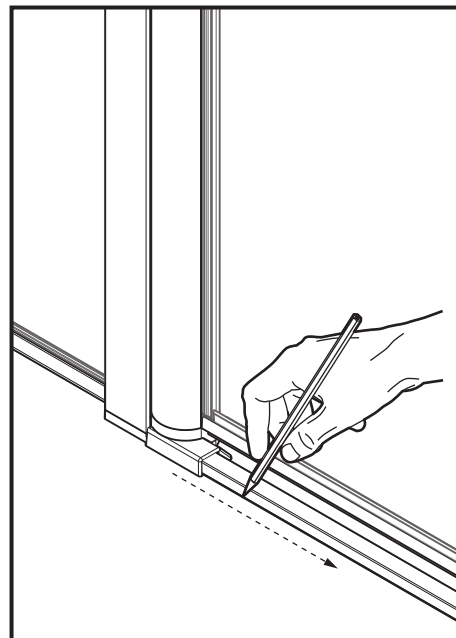
# 16



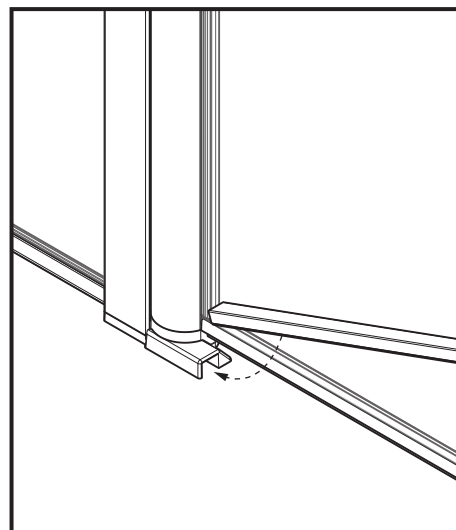
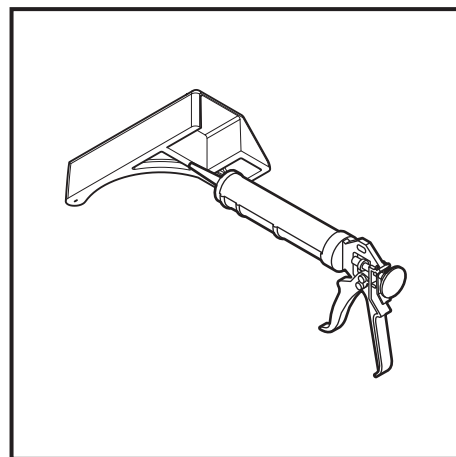
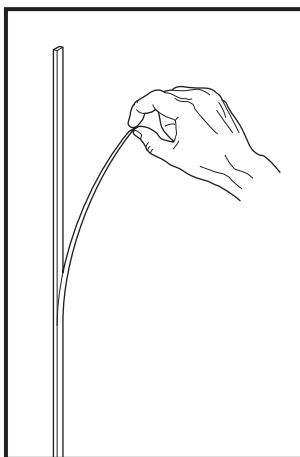
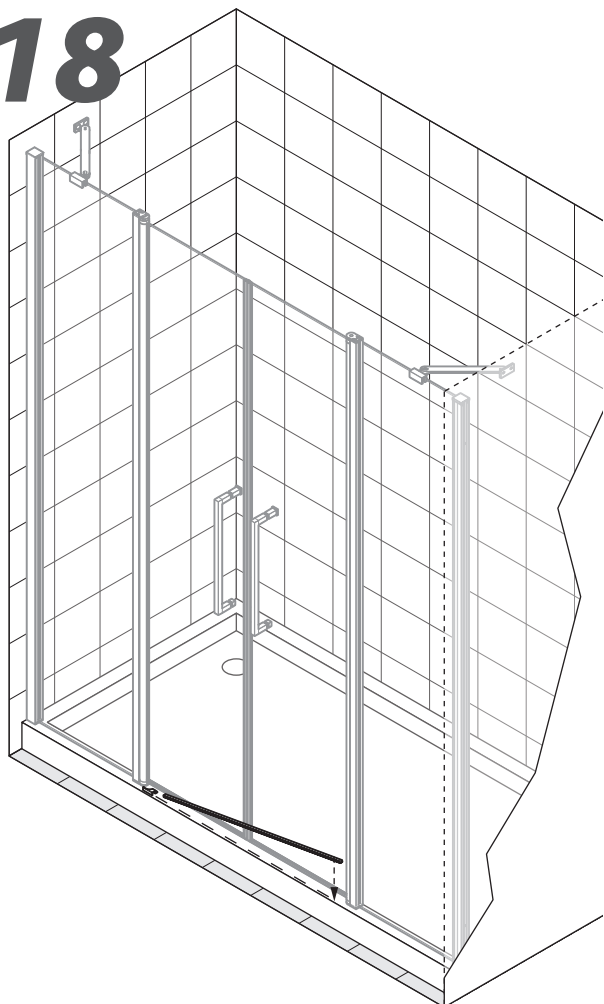
# 17



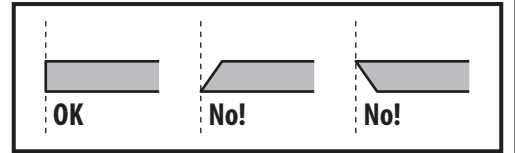
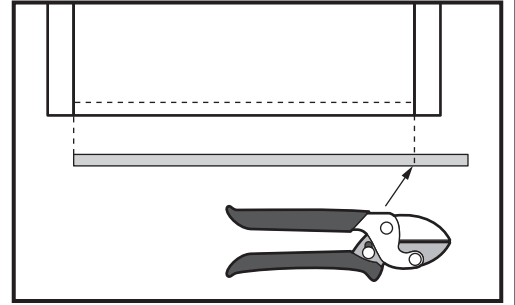
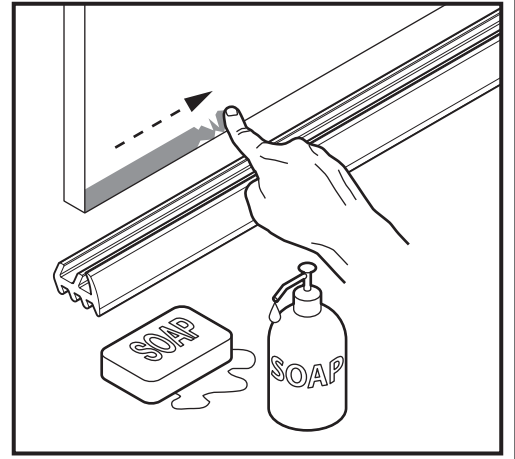
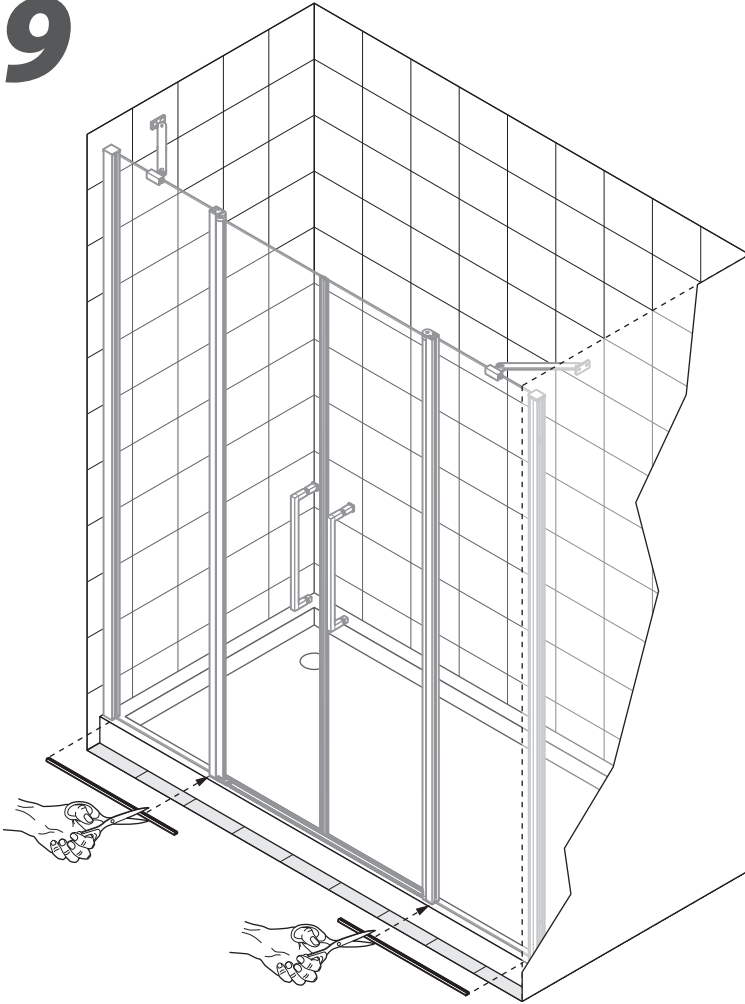
mod. 2A	mm
97	422
117	528
137	608
147	688
157	728
167	768
177	808



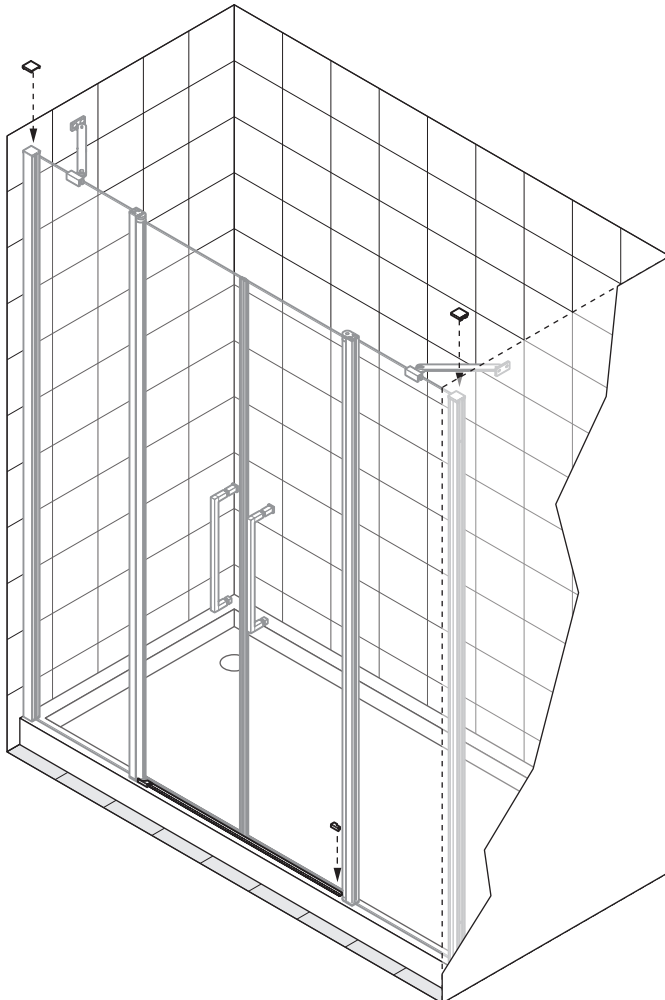
# 18



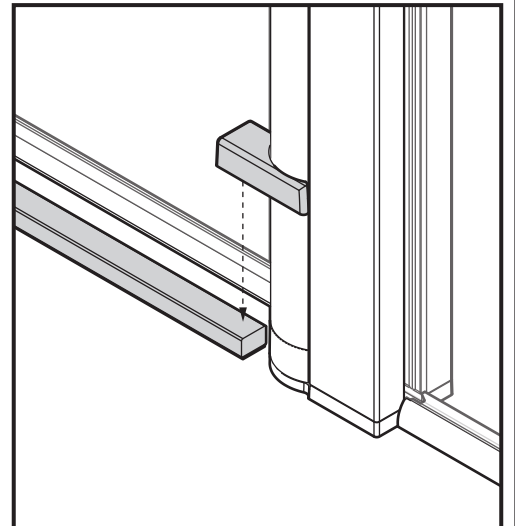
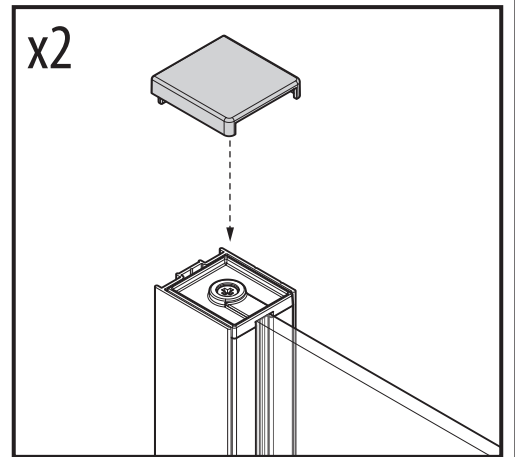
# 19



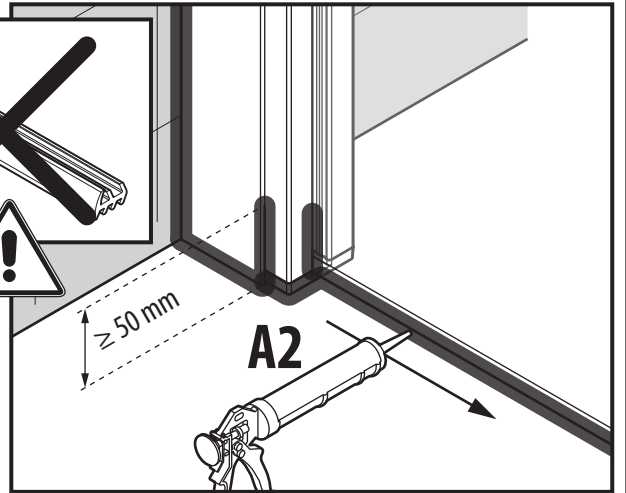
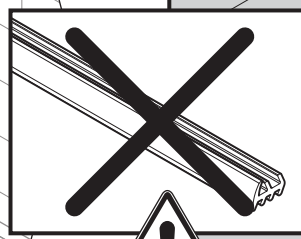
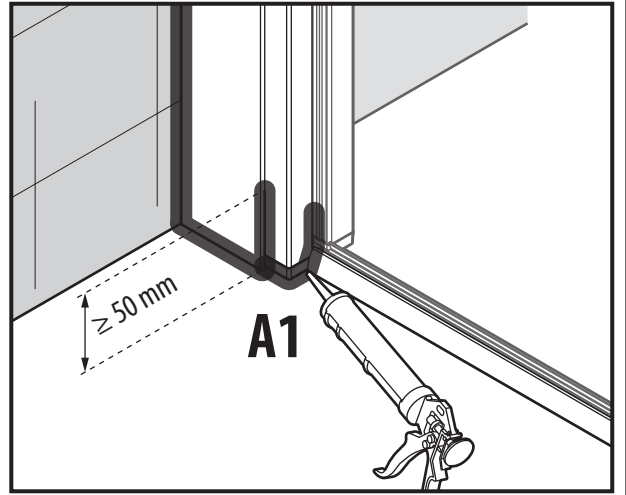
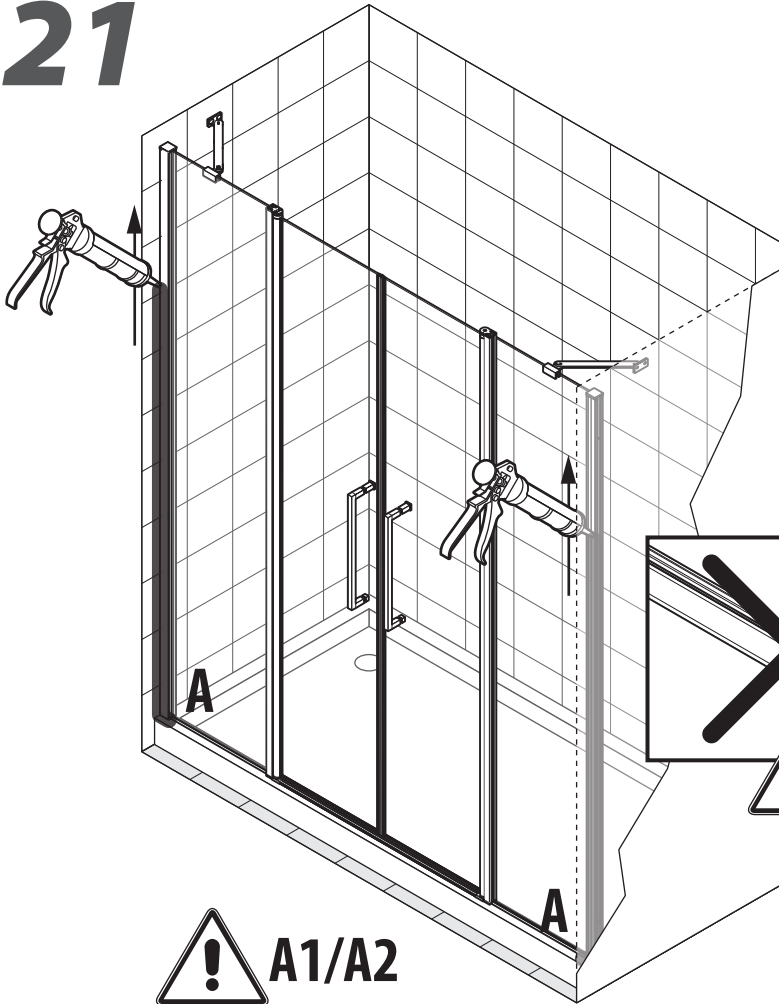
# 20



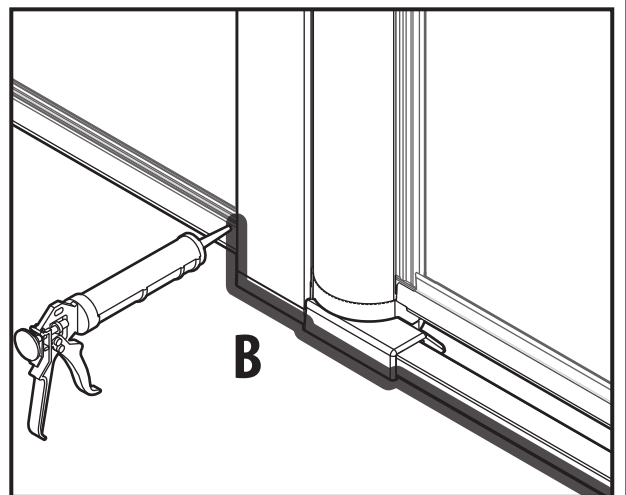
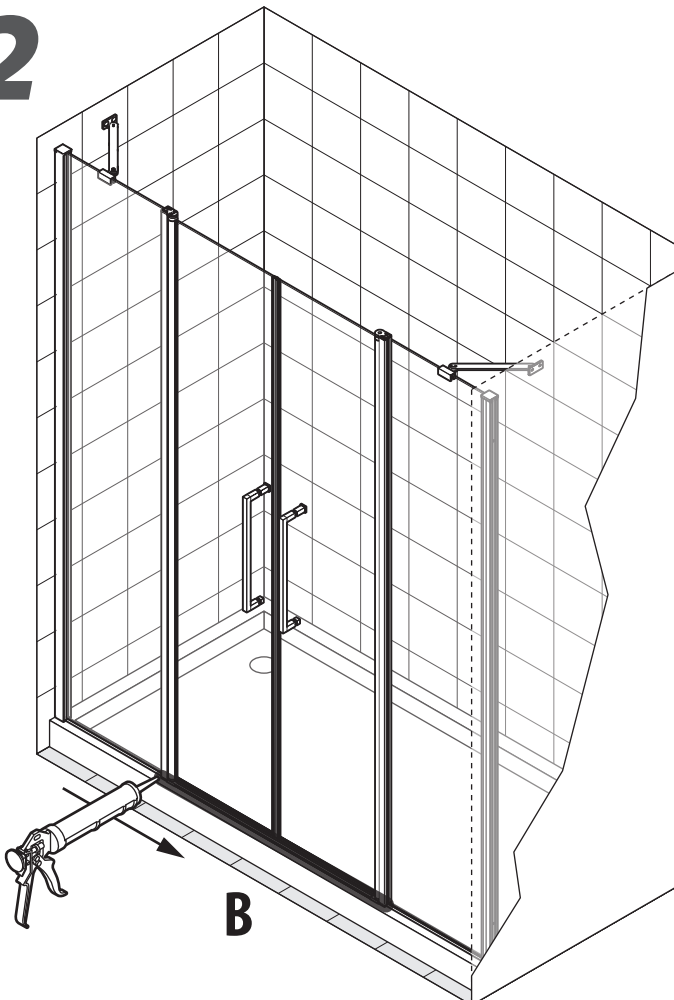
x2



# 21



# 22



23

