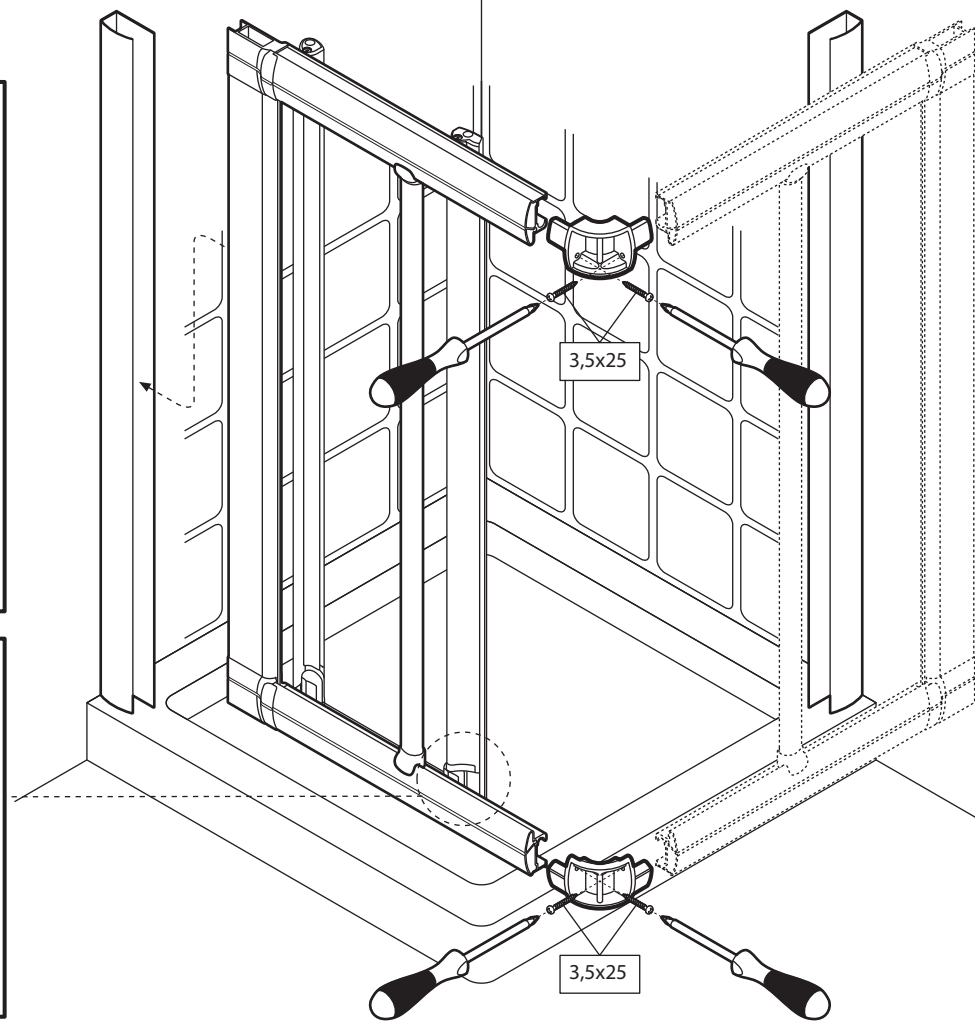
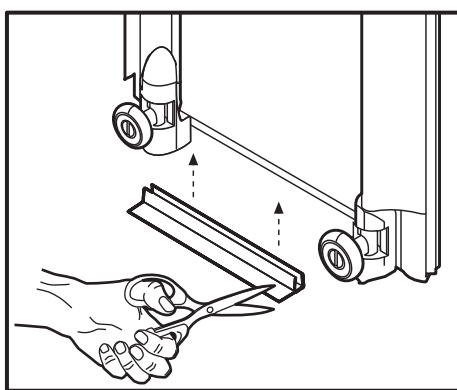
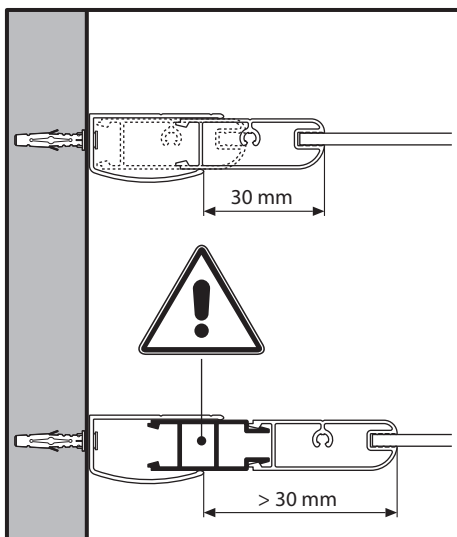
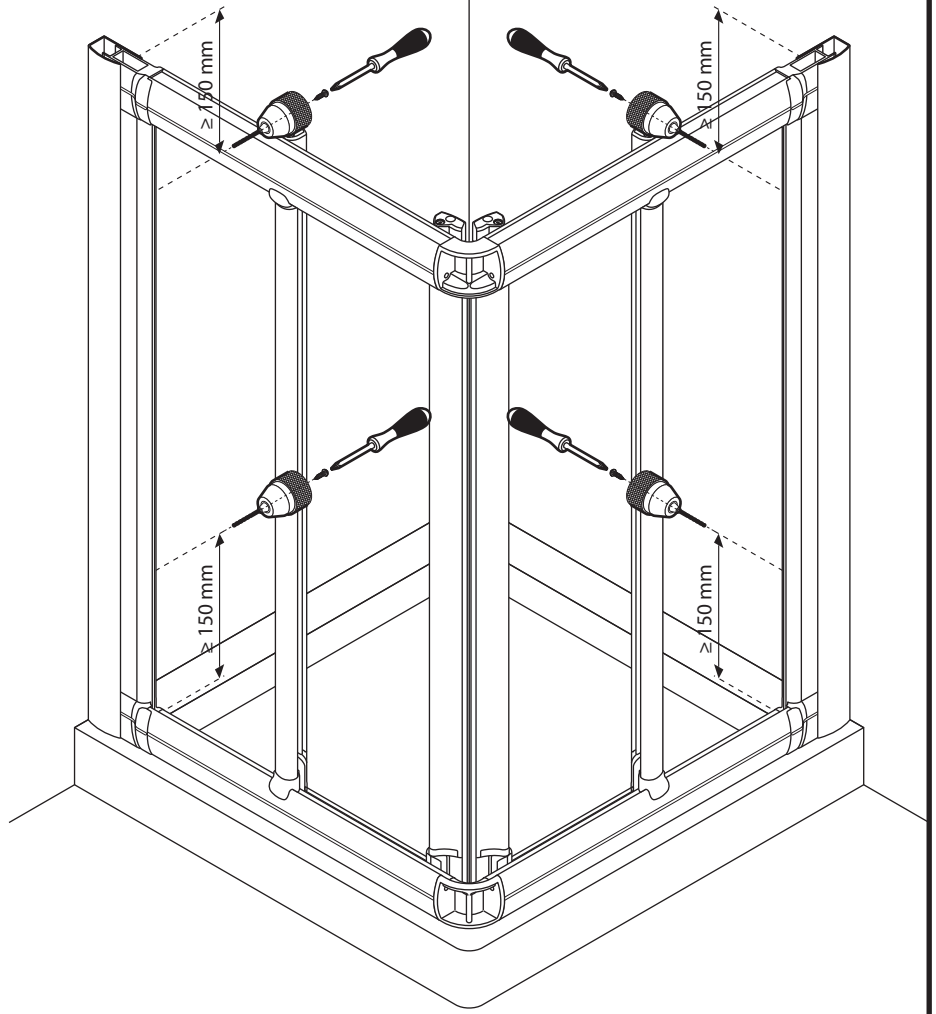
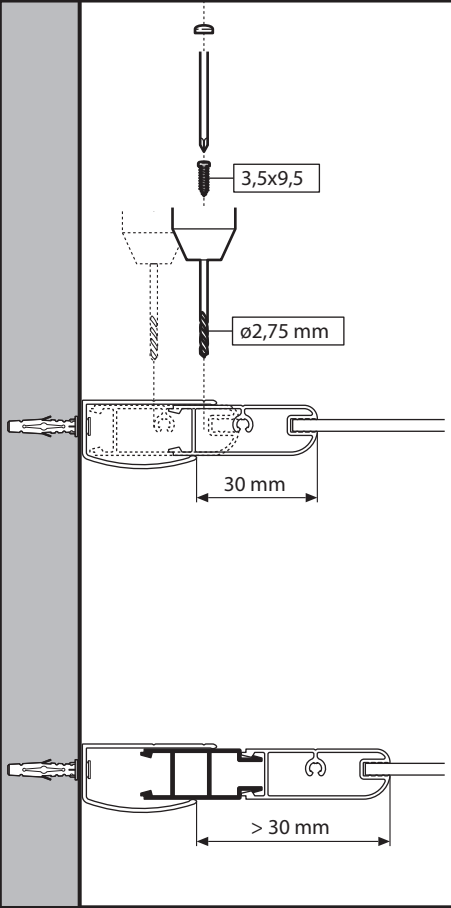


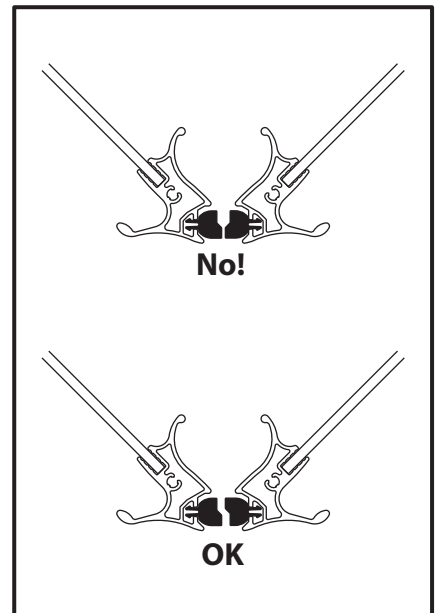
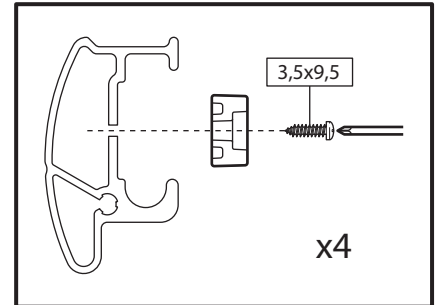
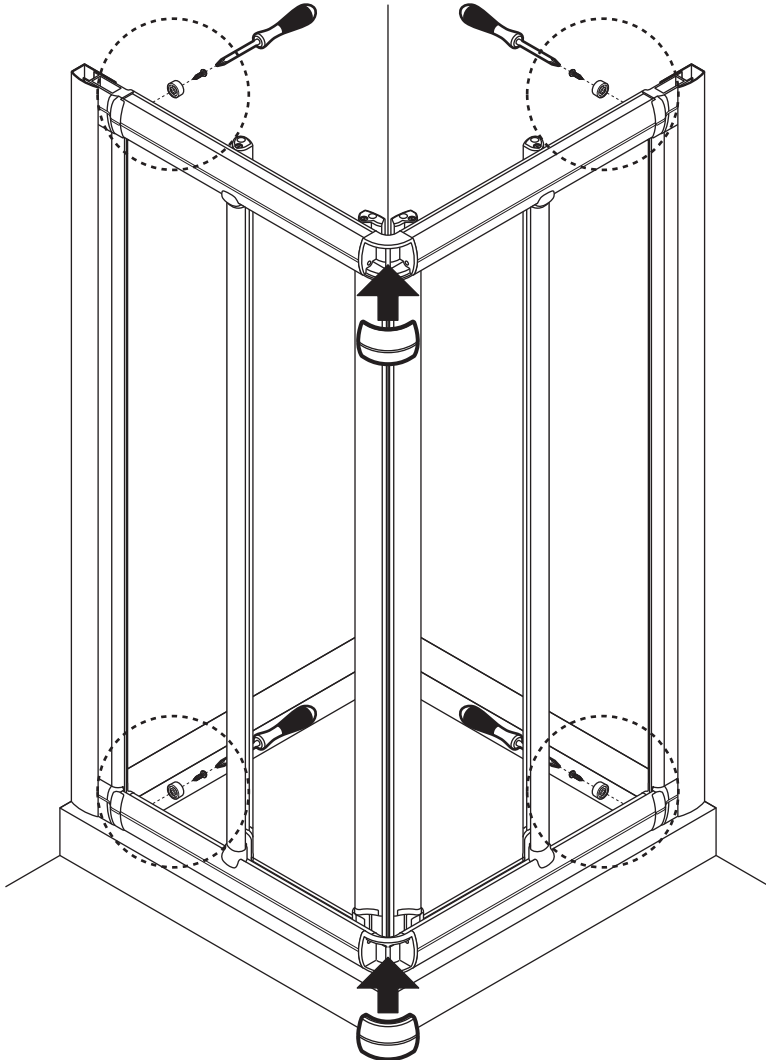
2



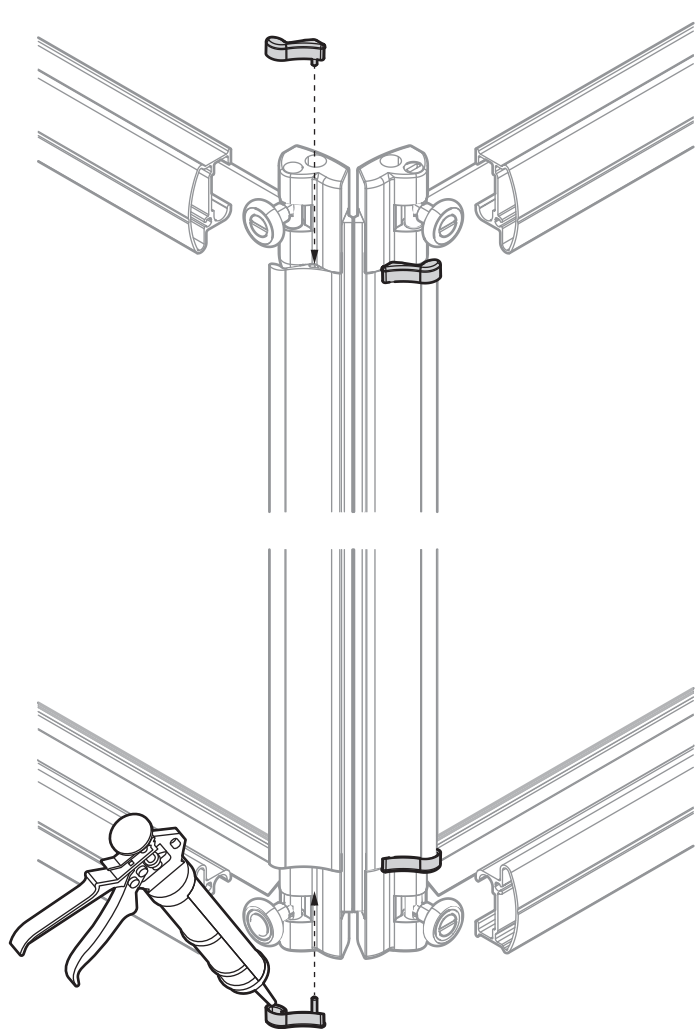
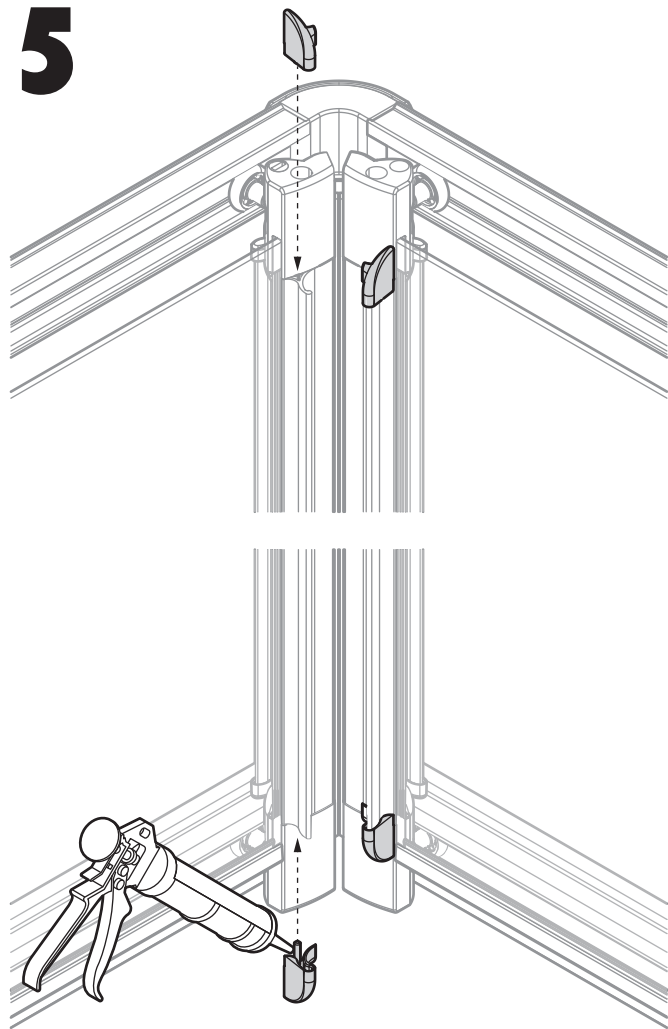
3



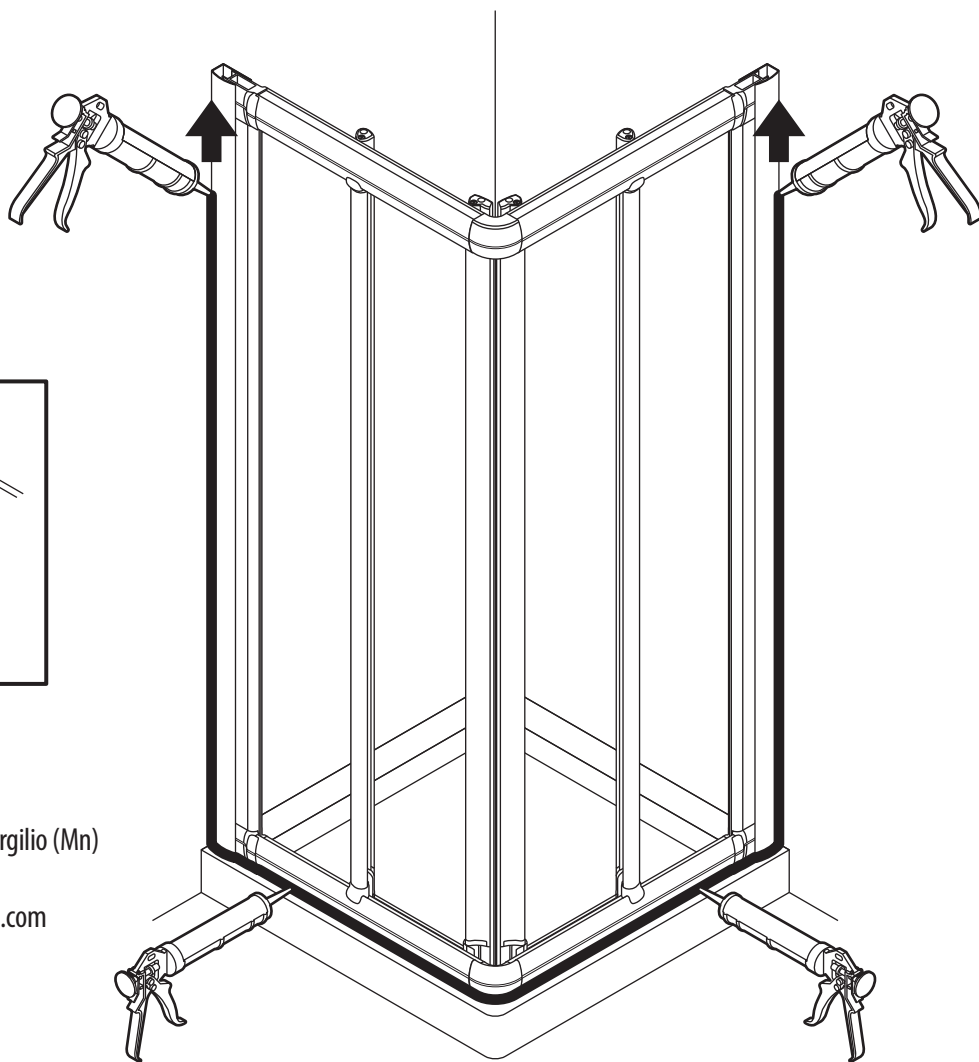
4



5



6



NOVELLINI S.p.A.

Via Mantova, 1023 - 46034 - Romanore di Borgo Virgilio (Mn)

Tel. +39 0376 6421

e-mail: info@novellini.com; safety@novellini.com

www.novellini.com

60091STAA_06 (07 2015)