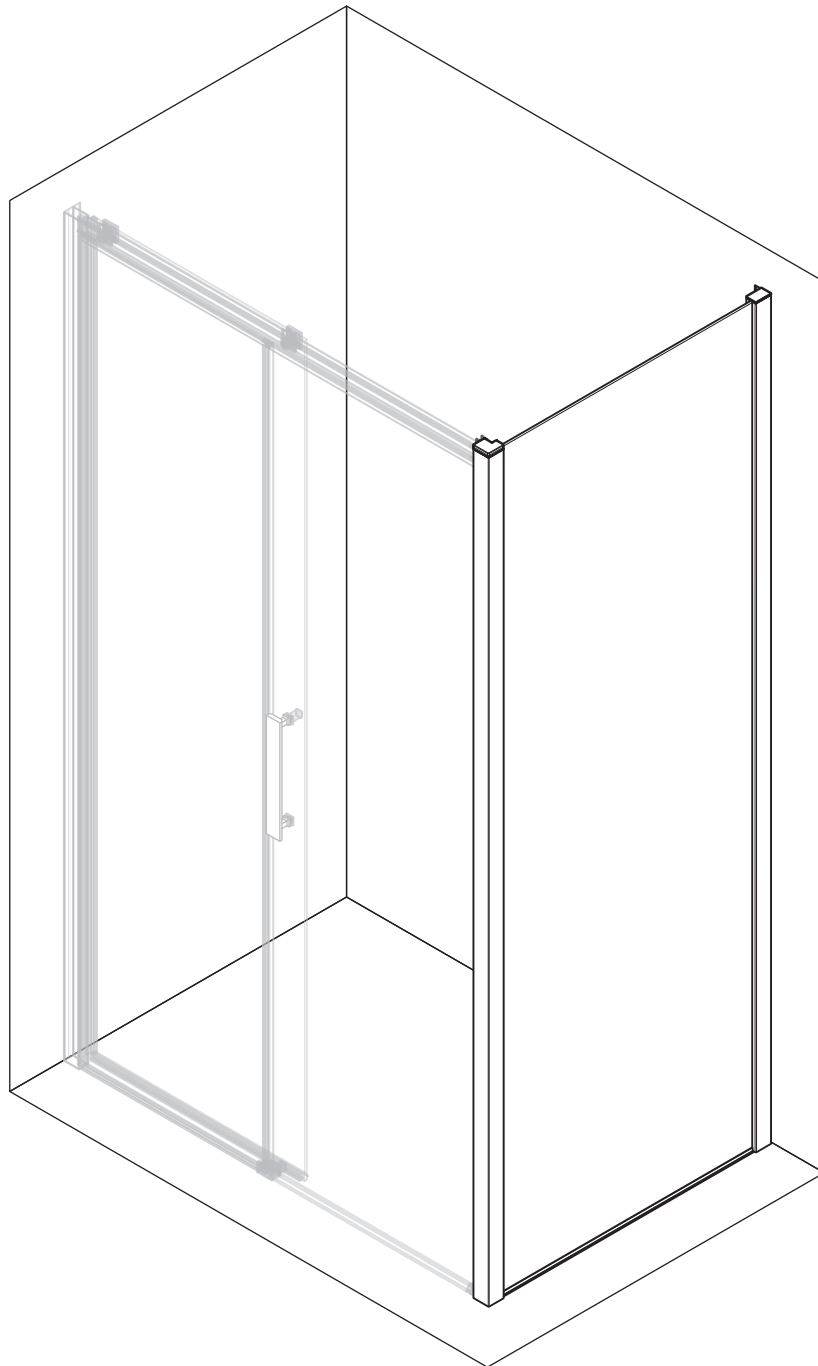
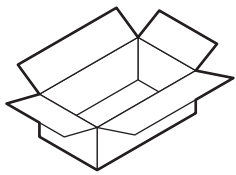
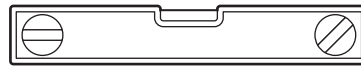
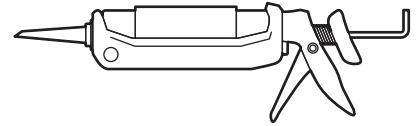
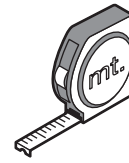
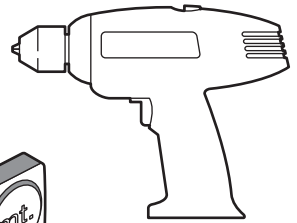
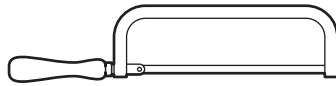
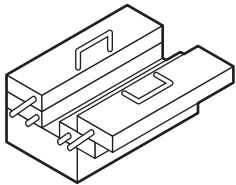


**ROSE ROSSE**

**F**



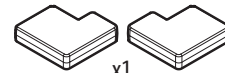
|                         |                         |
|-------------------------|-------------------------|
| <hr/> <hr/> <hr/> <hr/> | <hr/> <hr/> <hr/> <hr/> |
|-------------------------|-------------------------|



56 x 2



3,5x9,5 x 4



x1



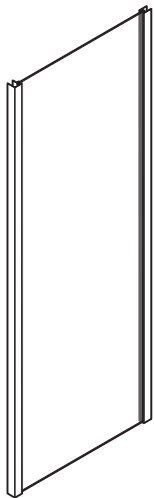
x2



4x35 x 2



x4

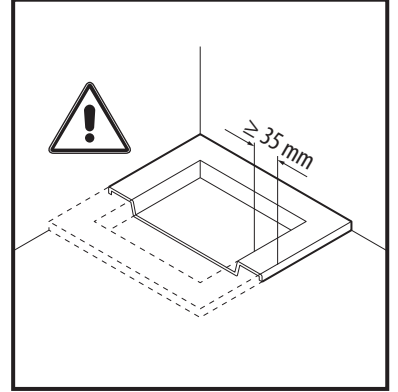
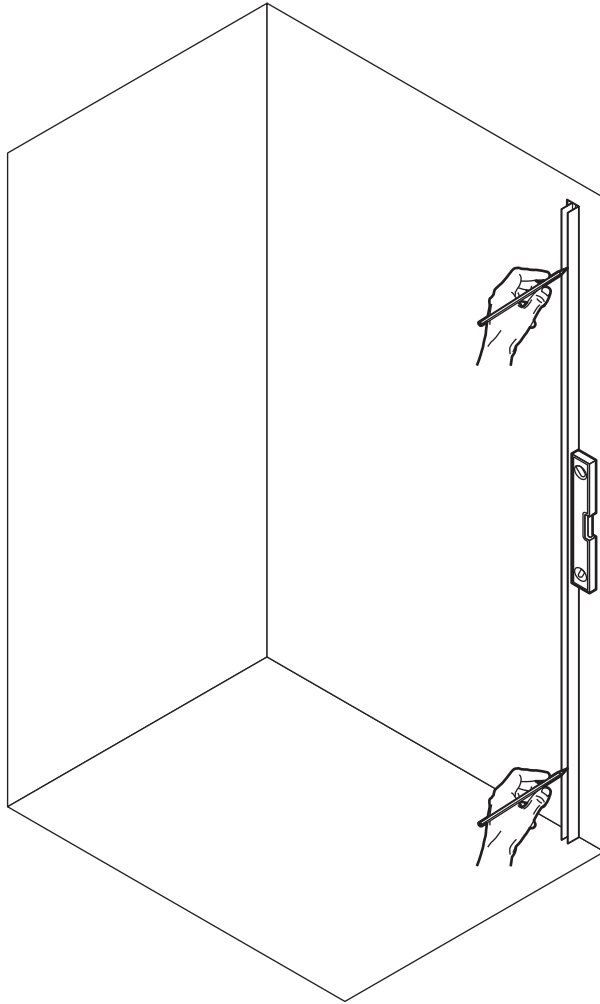
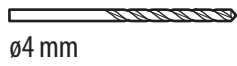
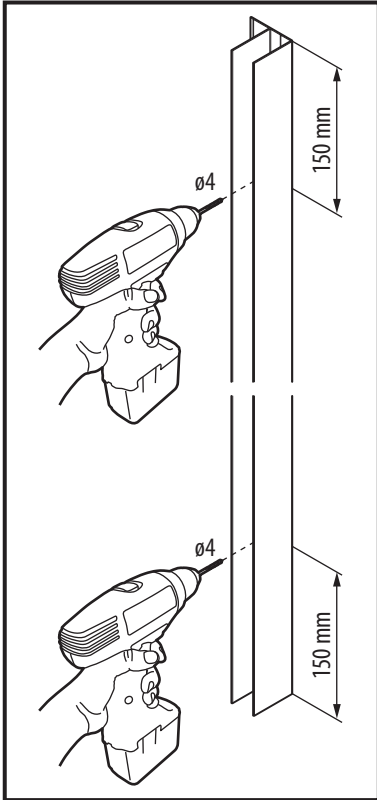


x1

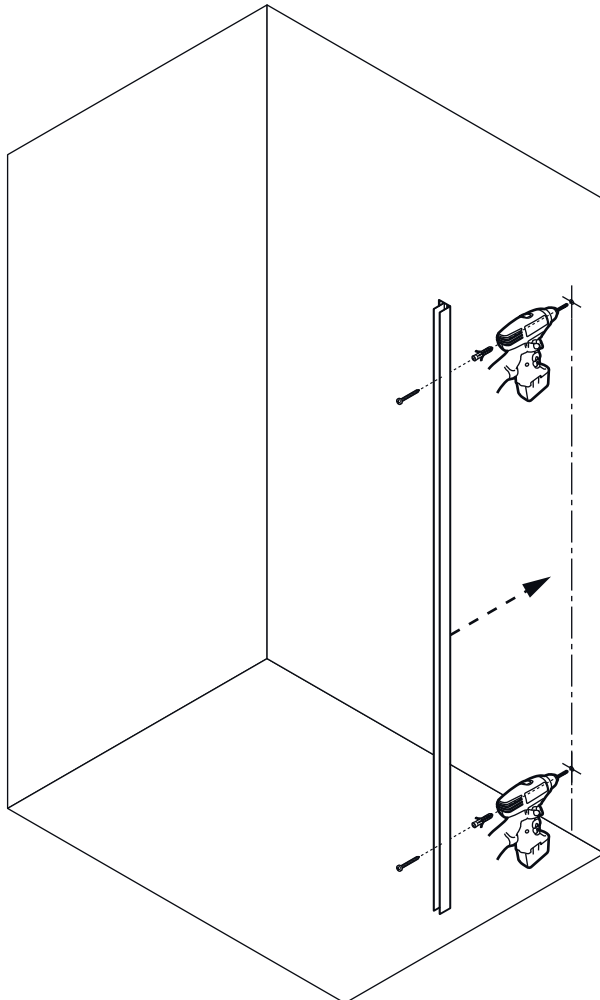
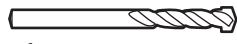


|      |              |
|------|--------------|
| F68  | F= 68-71 cm  |
| F71  | F= 71-74 cm  |
| F73  | F= 73-76 cm  |
| F75  | F= 75-78 cm  |
| F78  | F= 78-81 cm  |
| F81  | F= 81-84 cm  |
| F83  | F= 83-86 cm  |
| F85  | F= 85-88 cm  |
| F88  | F= 88-91 cm  |
| F91  | F= 91-94 cm  |
| F93  | F= 93-96 cm  |
| F95  | F= 95-98 cm  |
| F98  | F= 98-101 cm |
| F108 | F=108-111 cm |
| F118 | F=118-121 cm |

# 1

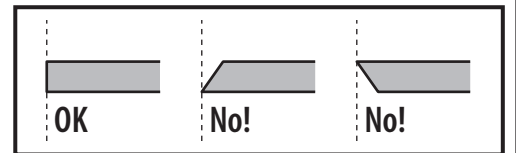
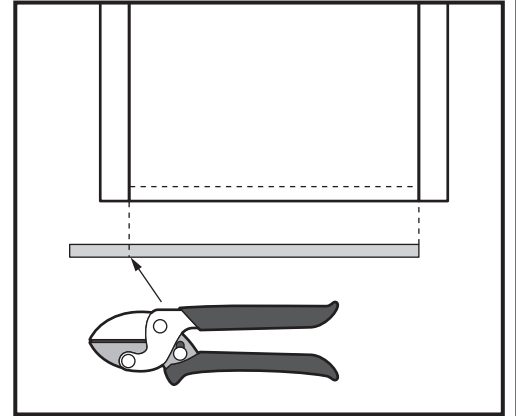
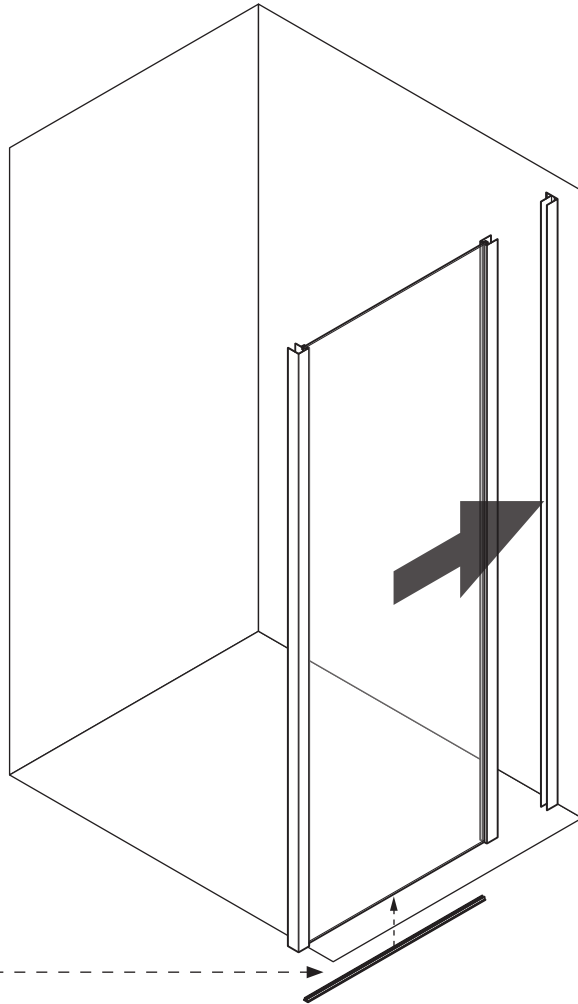
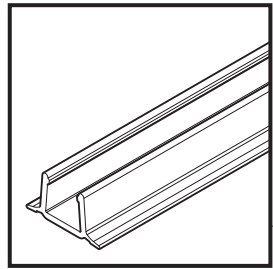


# 2

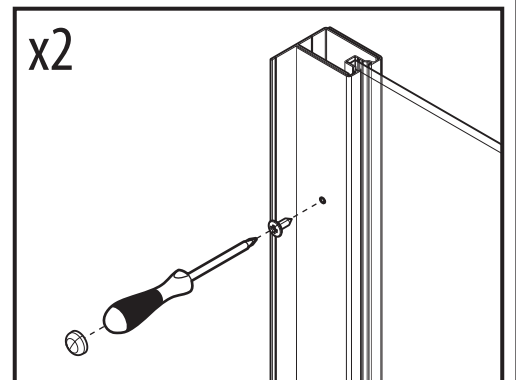
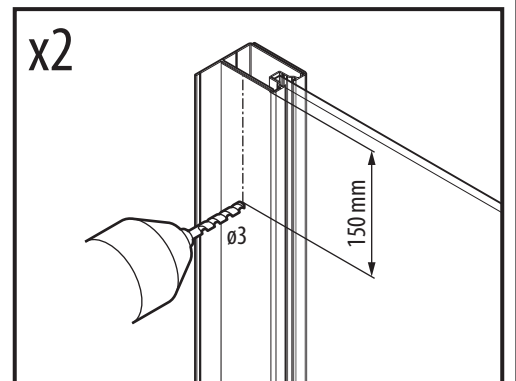
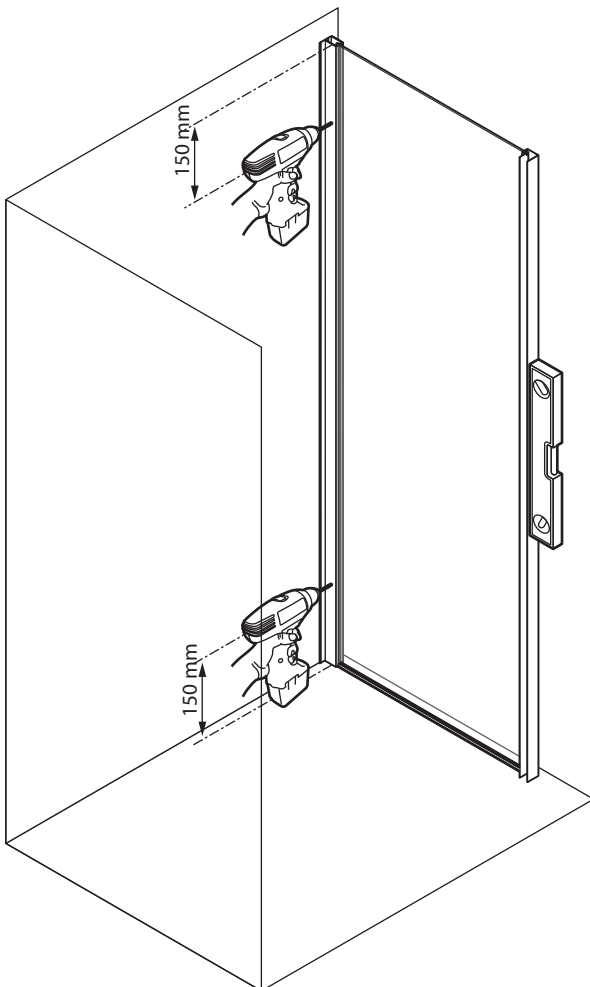


# 3

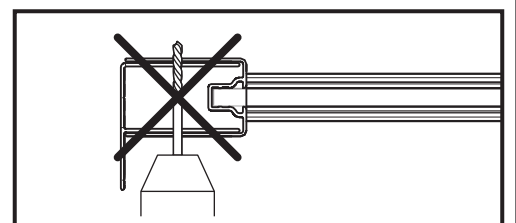
# 3



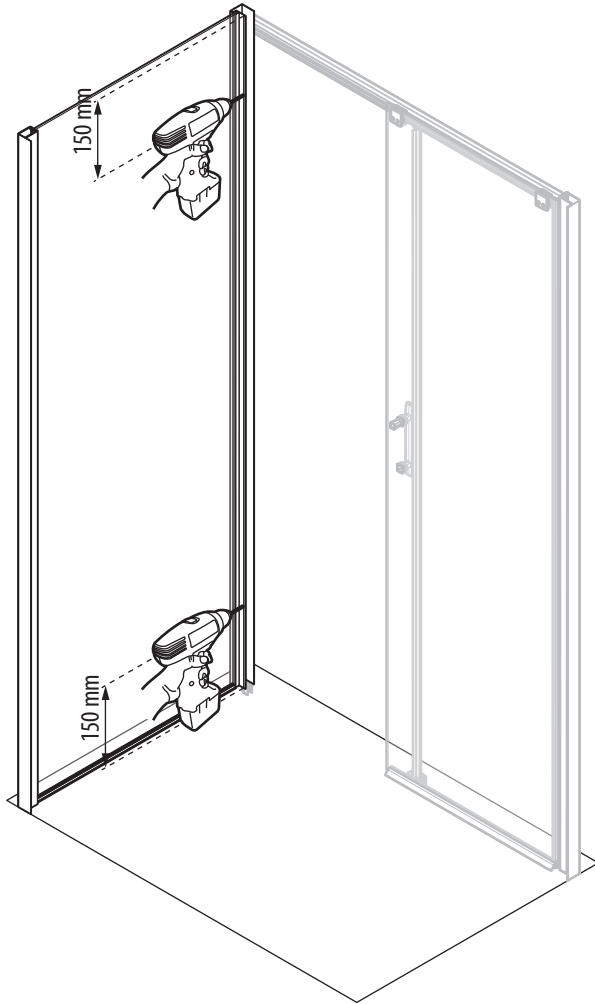
# 4



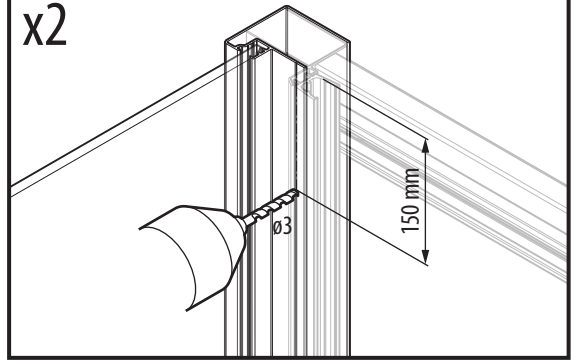
3,5x9,5 x2



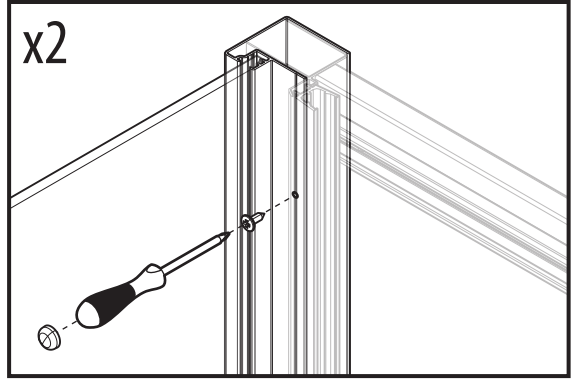
# 5



x2

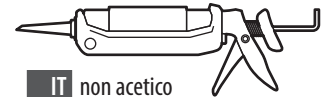
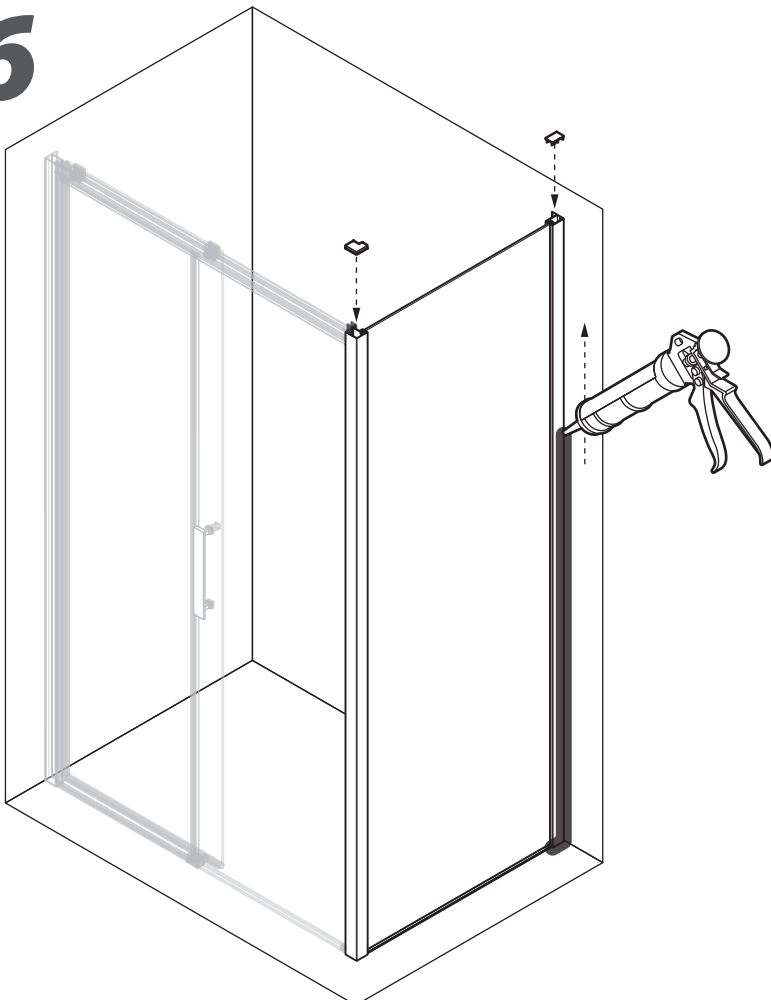


x2

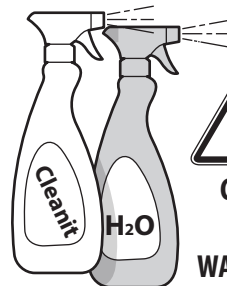



3,5x9,5 x2

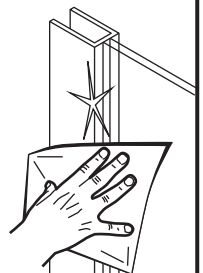
# 6



- IT non acetico
- FR non acétique
- EN acetic-acid free
- DE nicht essigsäurevernetzend
- NL niet zuur
- ES no acético
- PT não acético
- CS neoctový
- SL ne oceten
- HU nem ecetsavas
- PL nie octowy
- RU не уксусный
- AR خالي من حمض الخل



**CLEANIT  
OR  
WATER ONLY**



فقط الماء أو كلينيت





