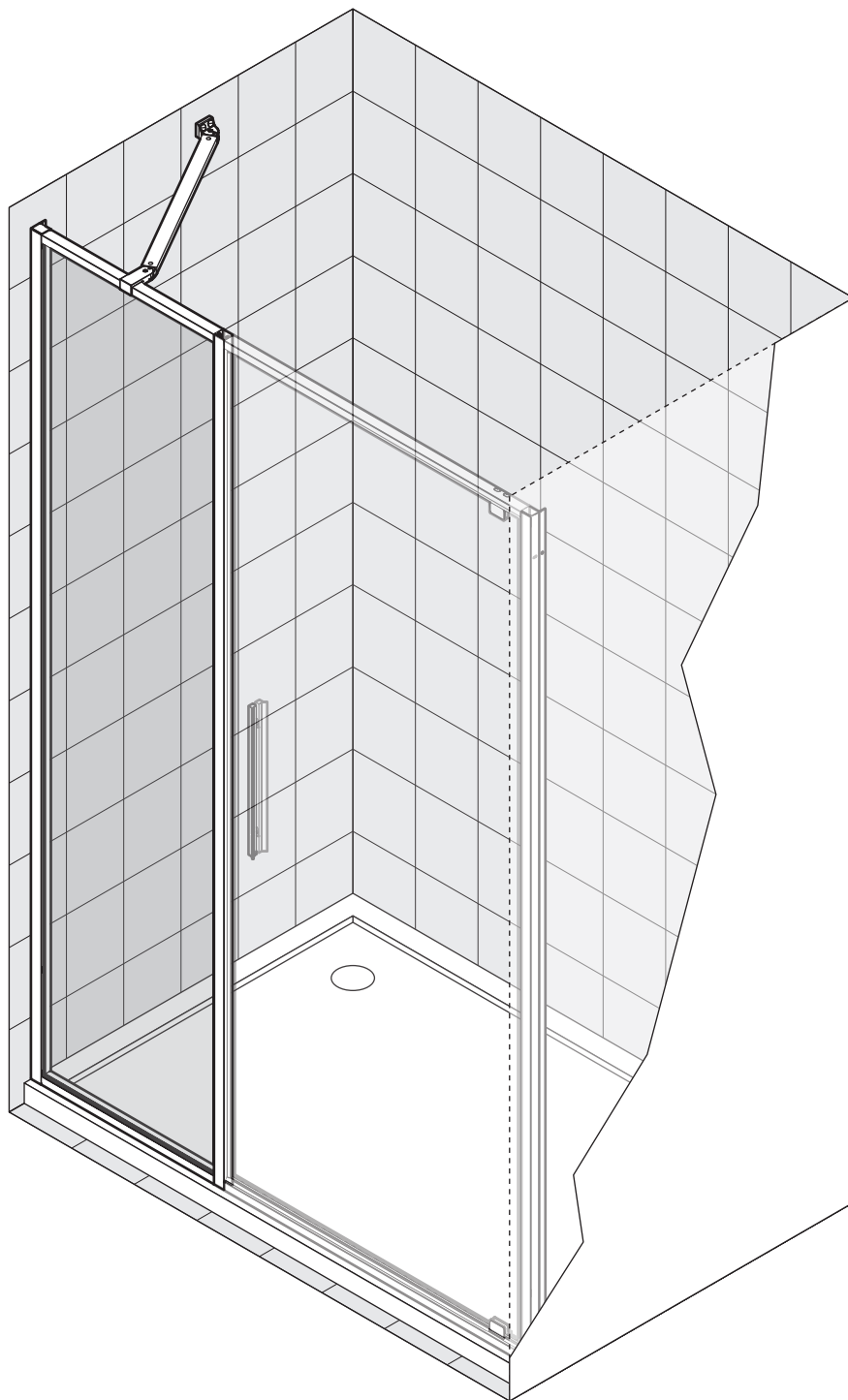
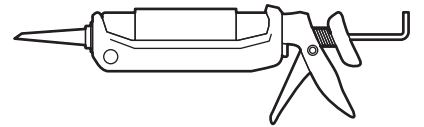
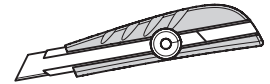
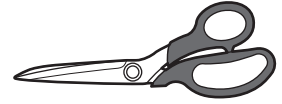
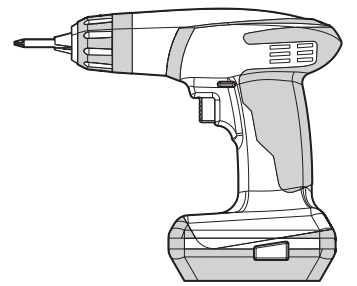
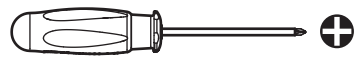
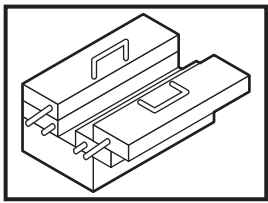
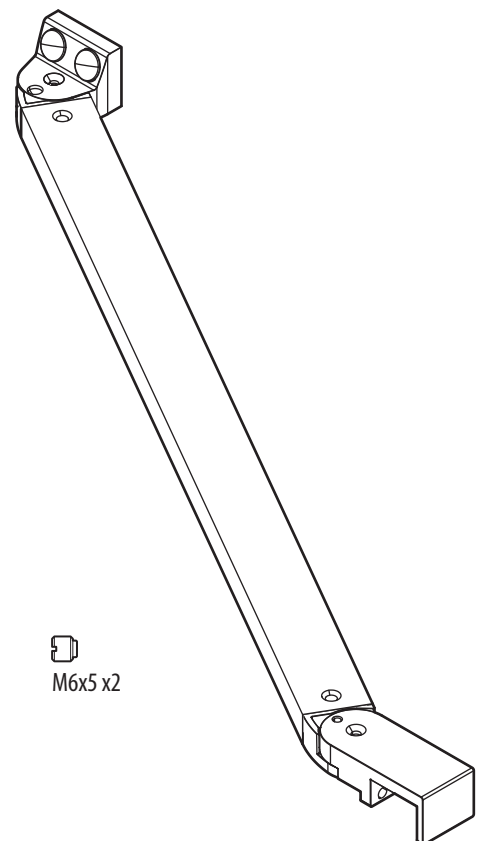
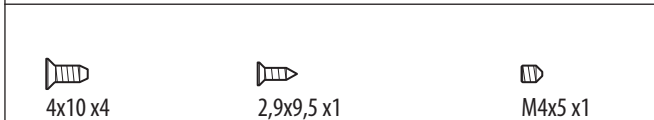
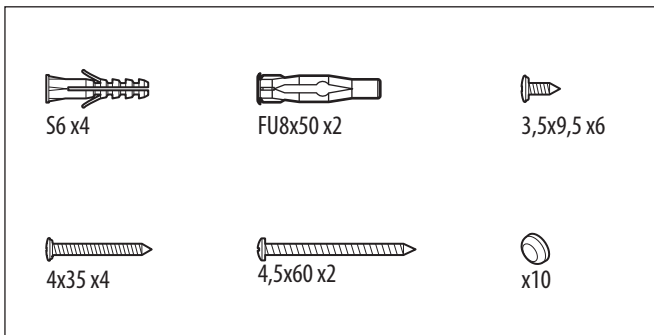
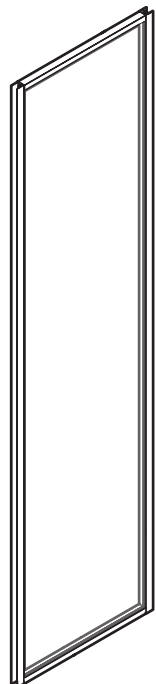
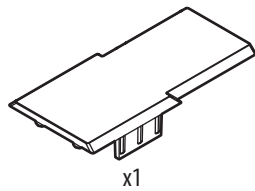
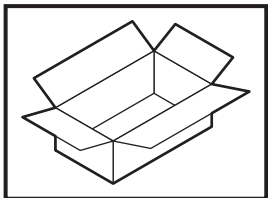
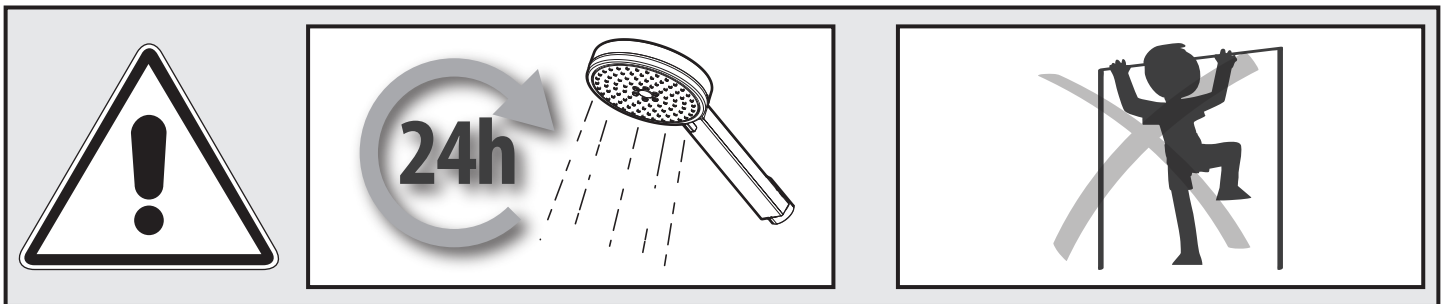
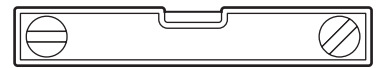
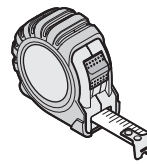
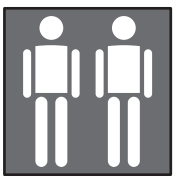


FL



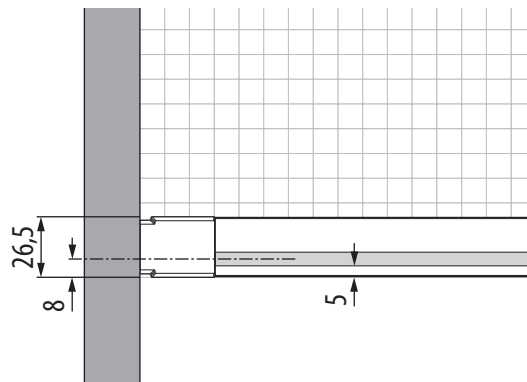
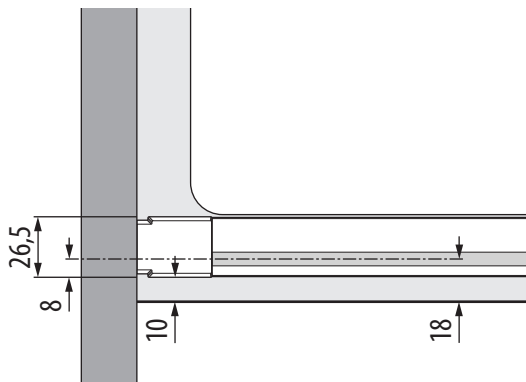
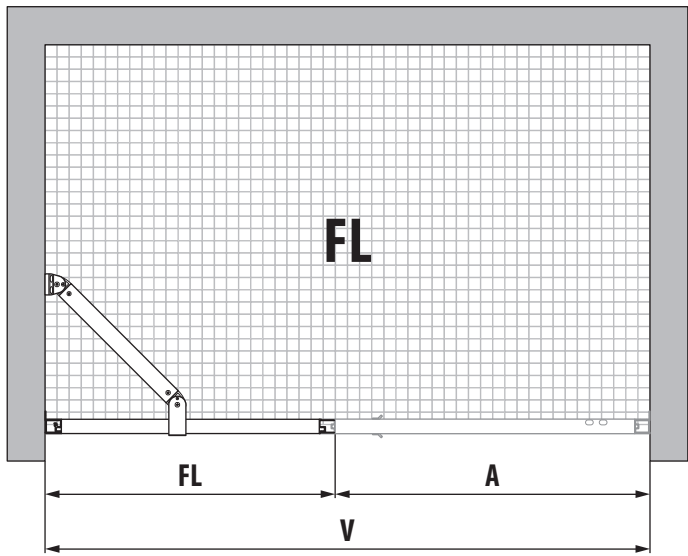
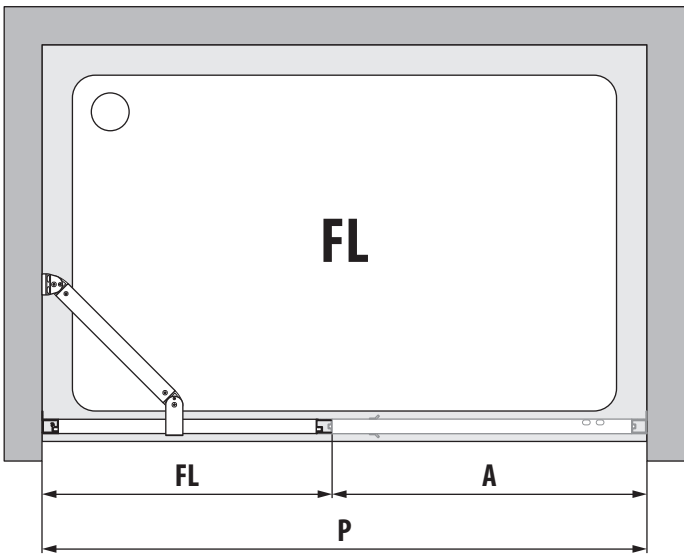


CLEANIT
OR
WATER ONLY

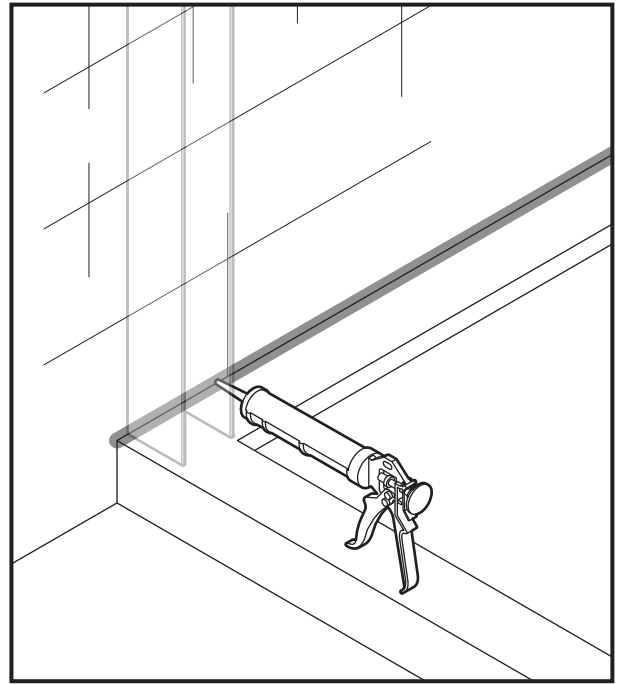
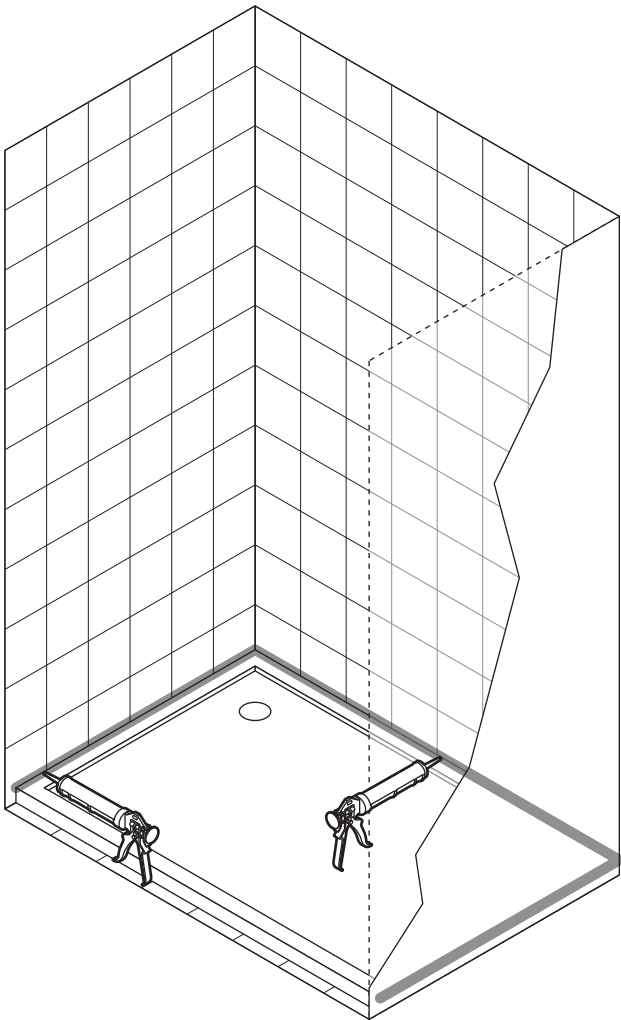


FL	FL mm	P
30	300	A+300
40	400	A+400
50	500	A+500
60	600	A+600
70	700	A+700
80	800	A+800

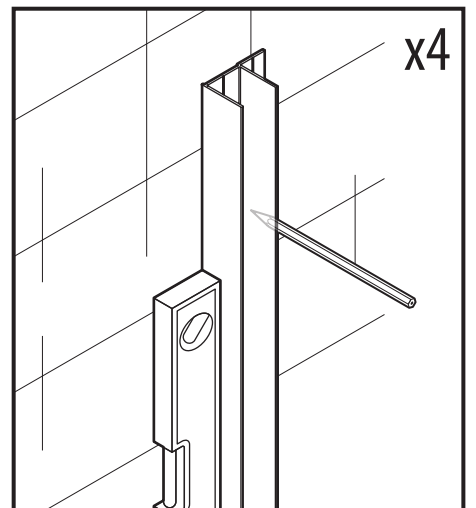
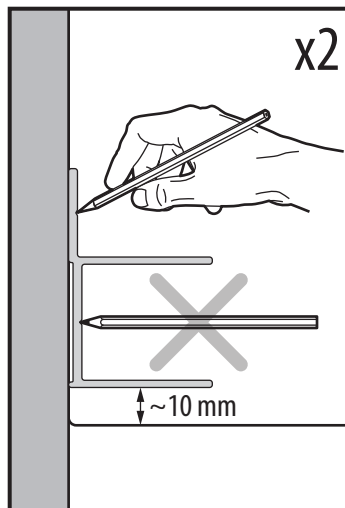
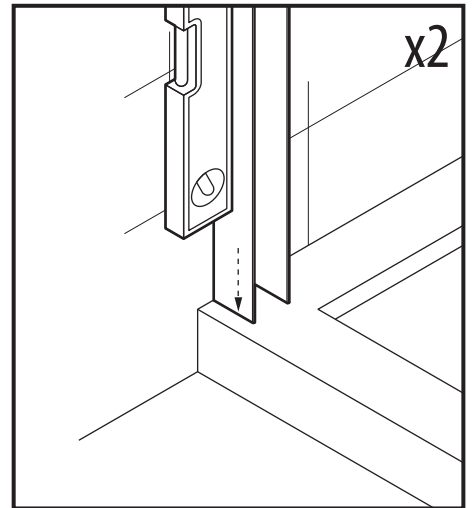
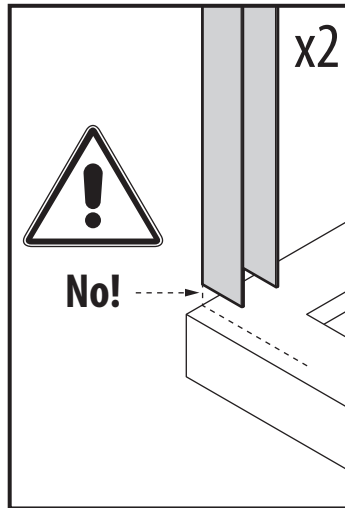
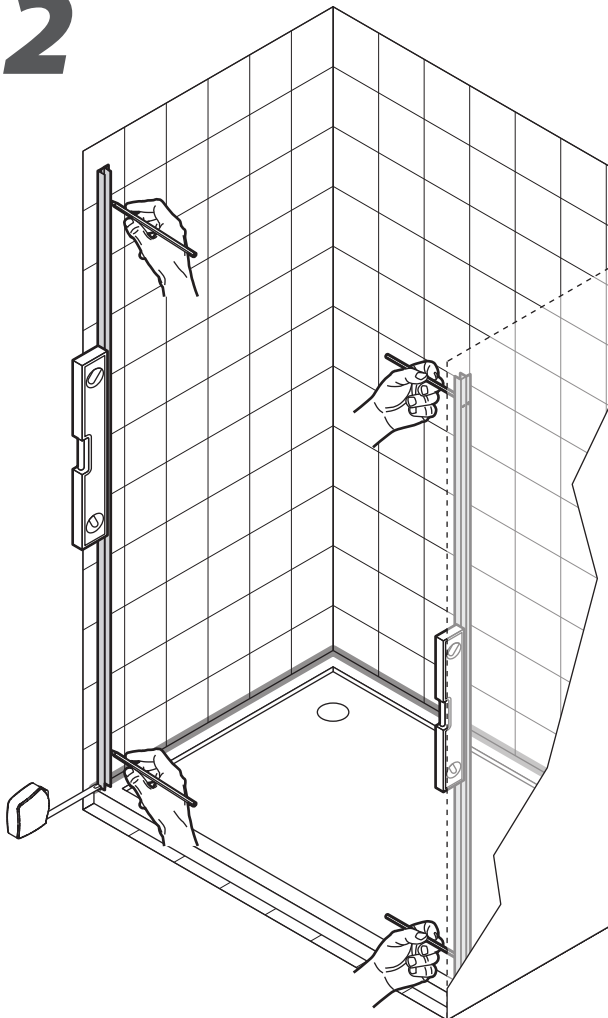
FL	FL mm	V
30	300	A+300
40	400	A+400
50	500	A+500
60	600	A+600
70	700	A+700
80	800	A+800



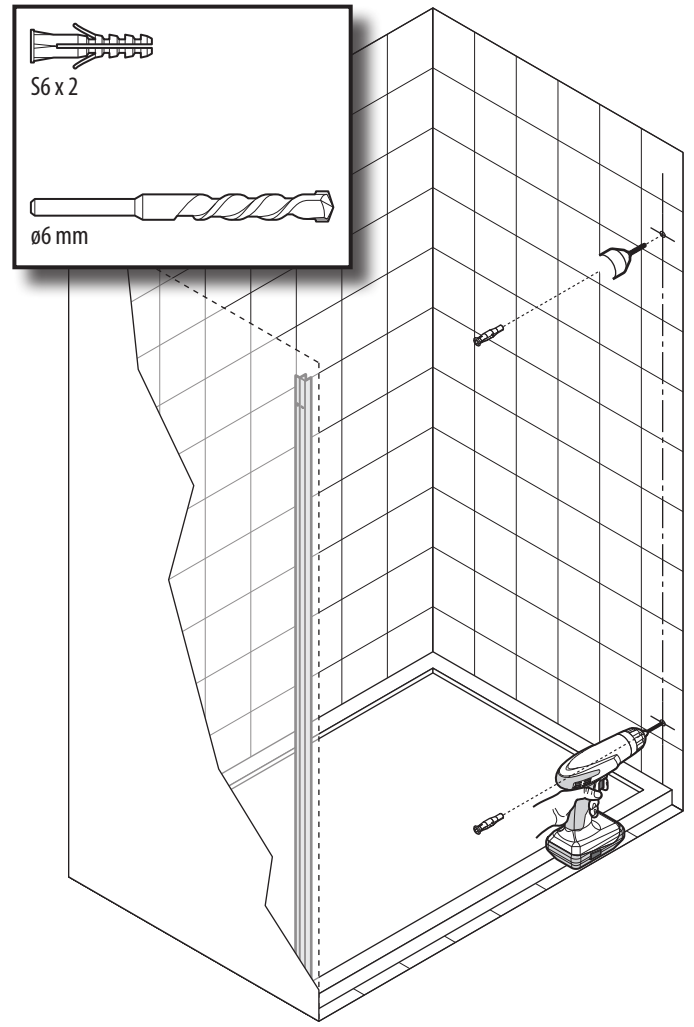
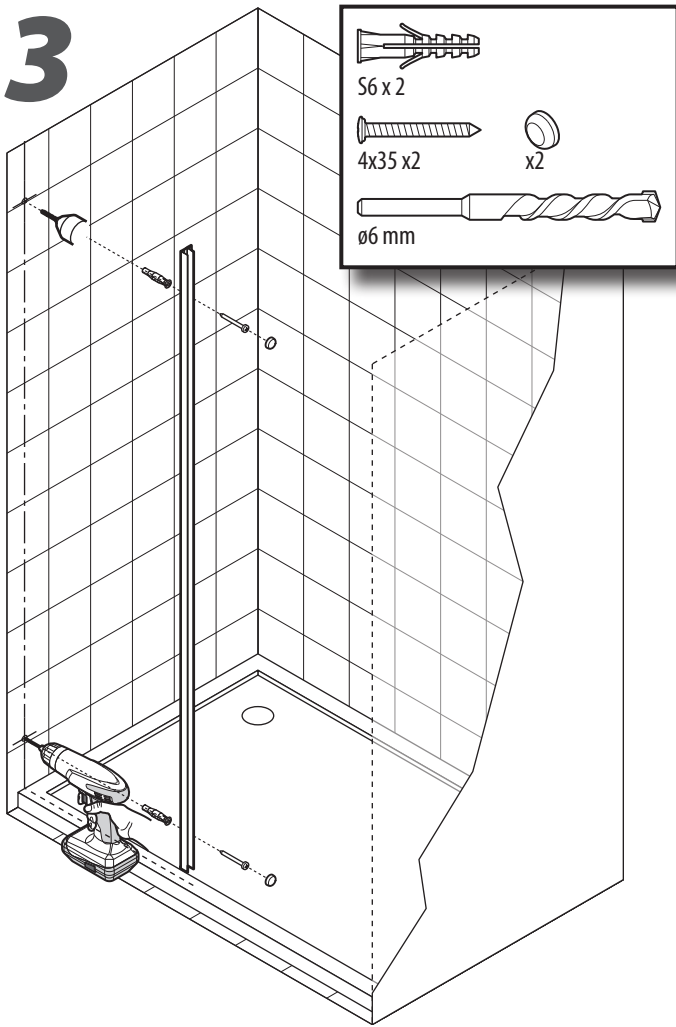
1



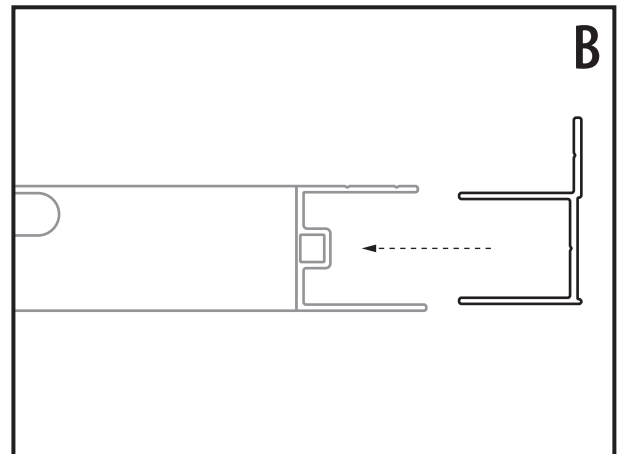
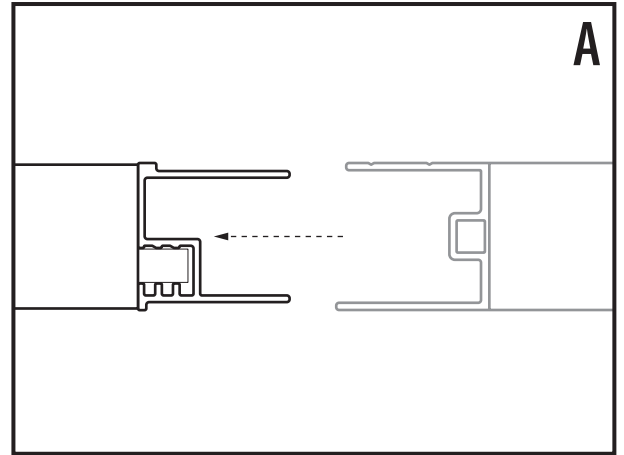
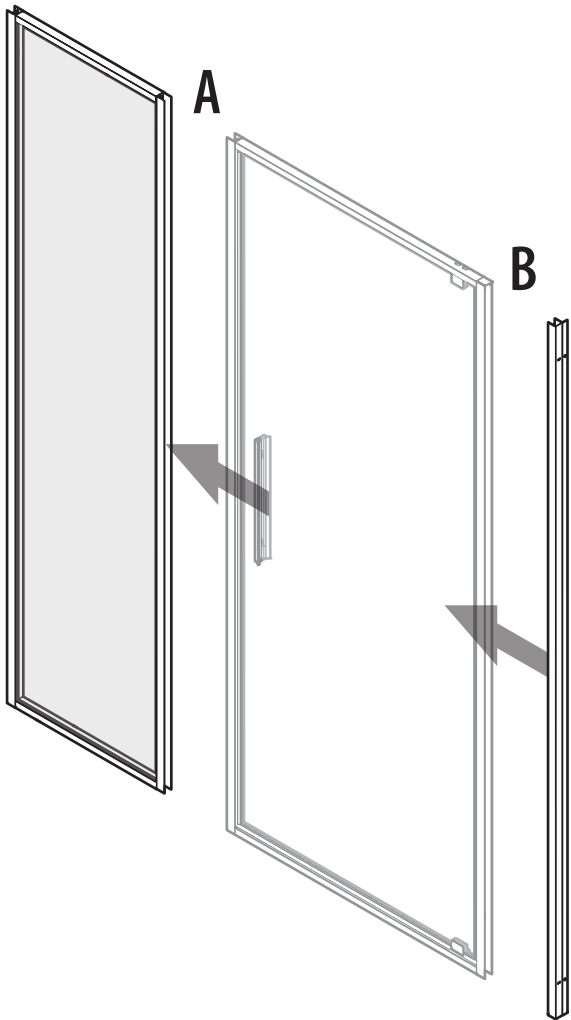
2



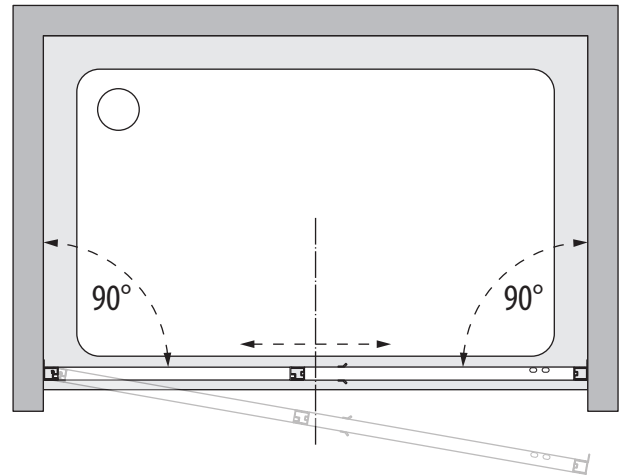
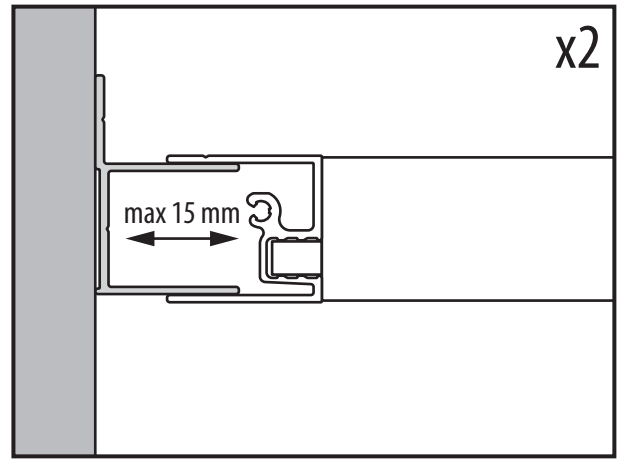
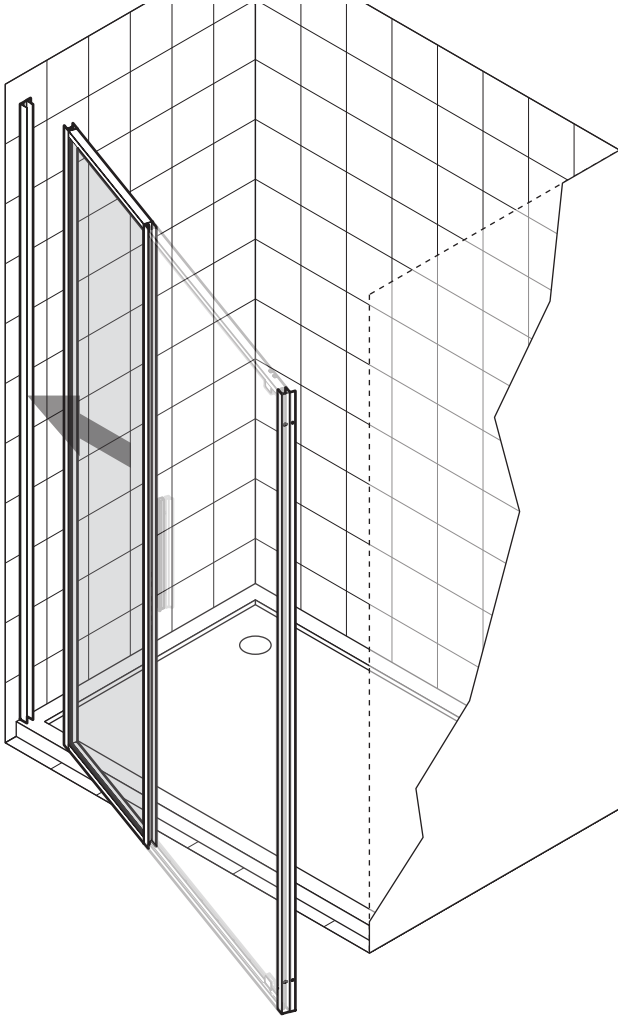
3



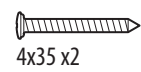
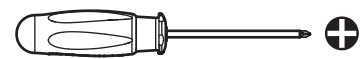
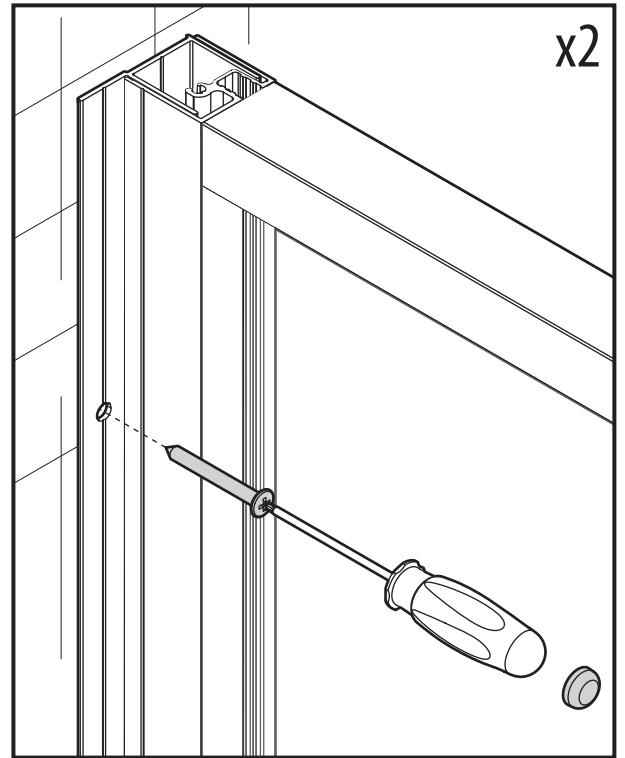
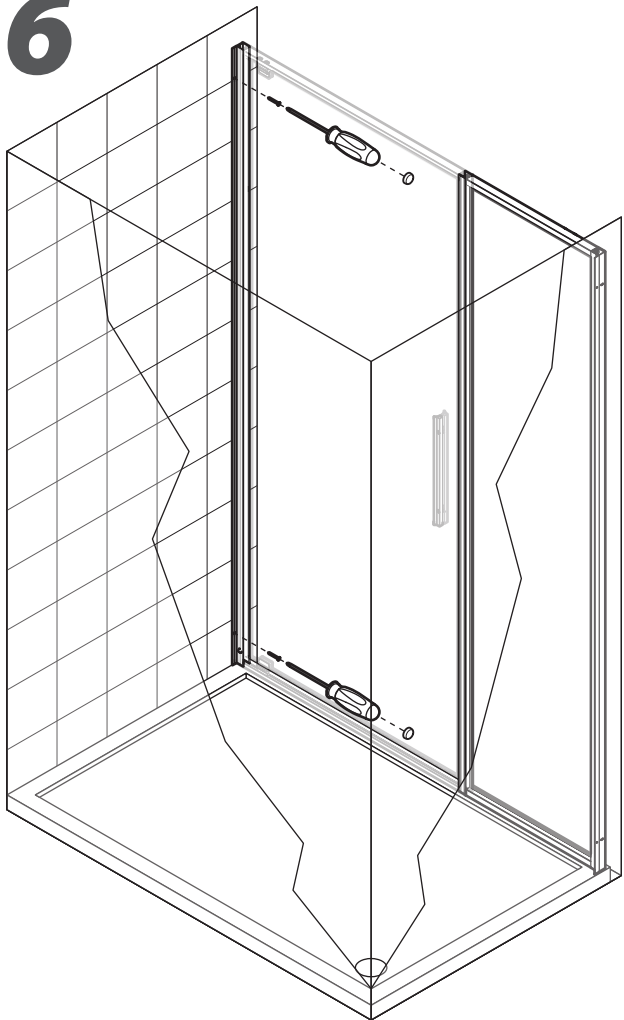
4



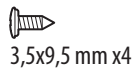
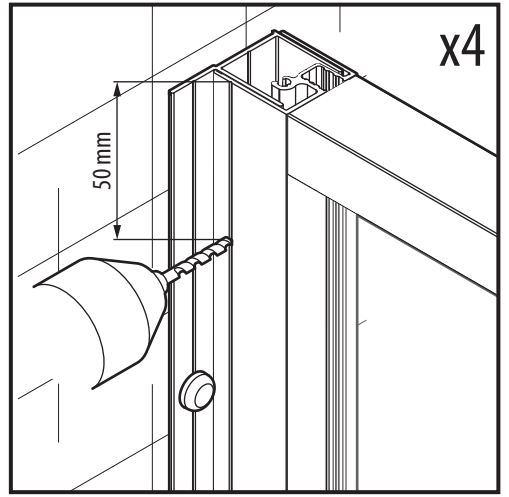
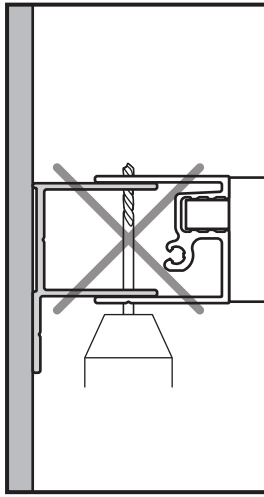
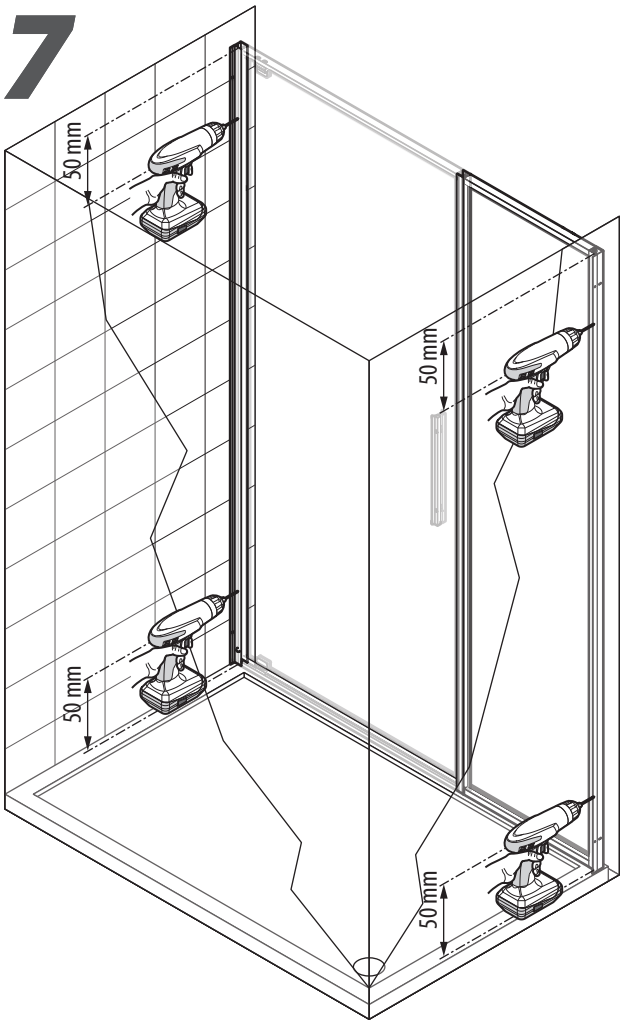
5



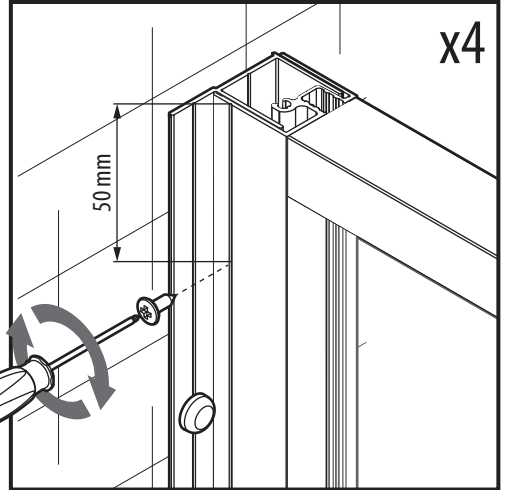
6



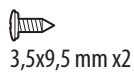
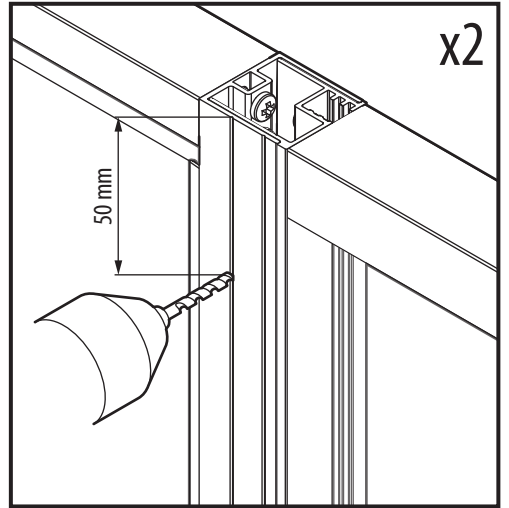
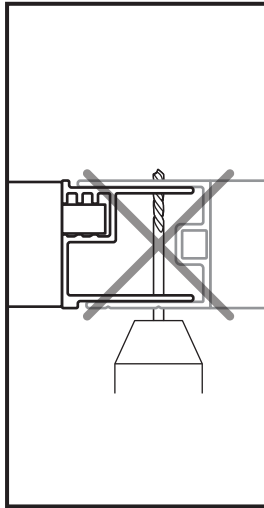
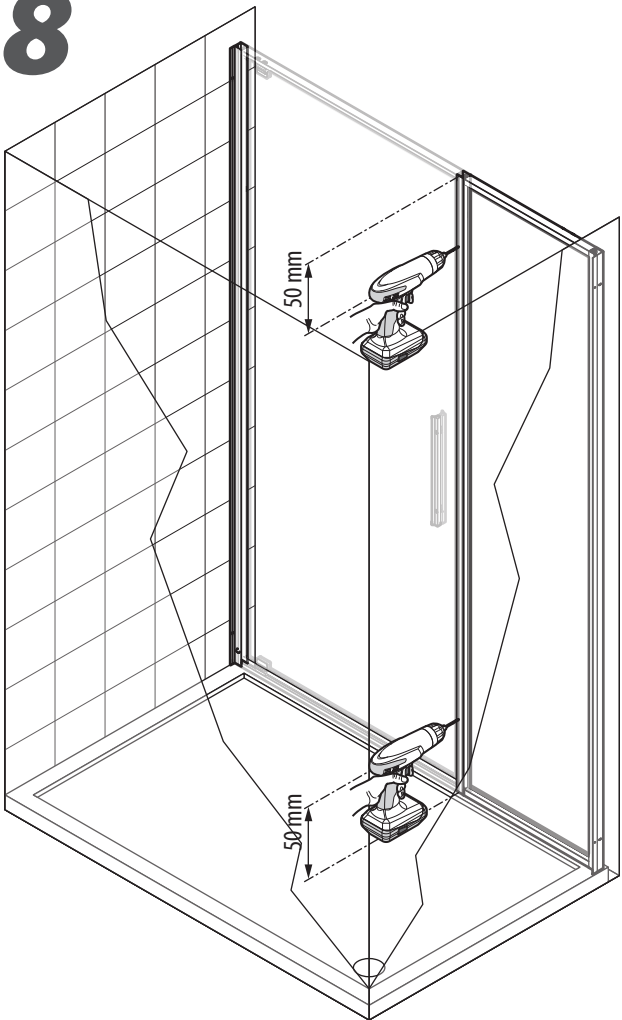
7



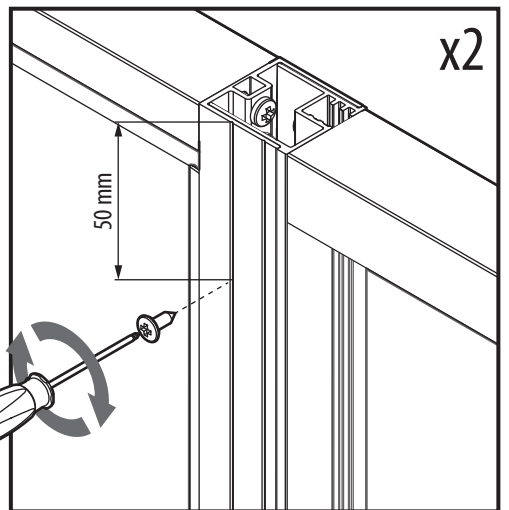
x4



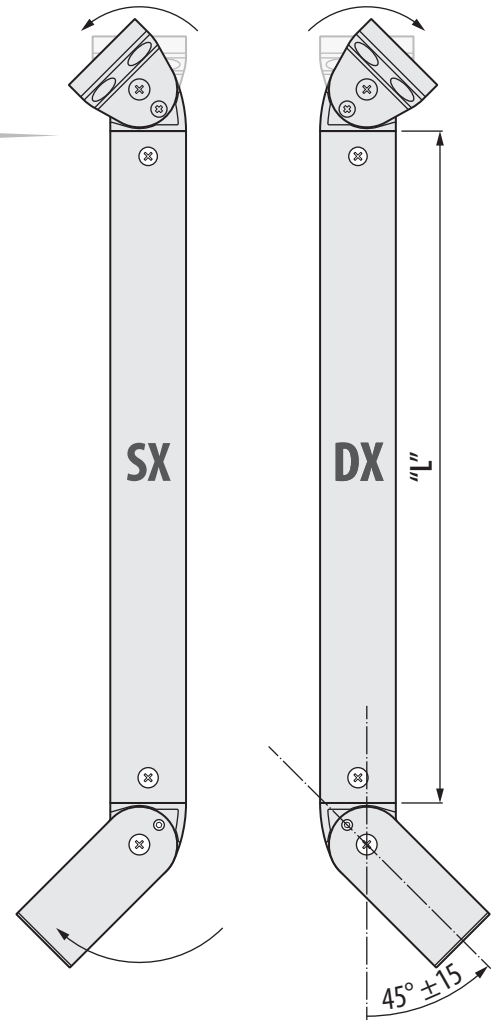
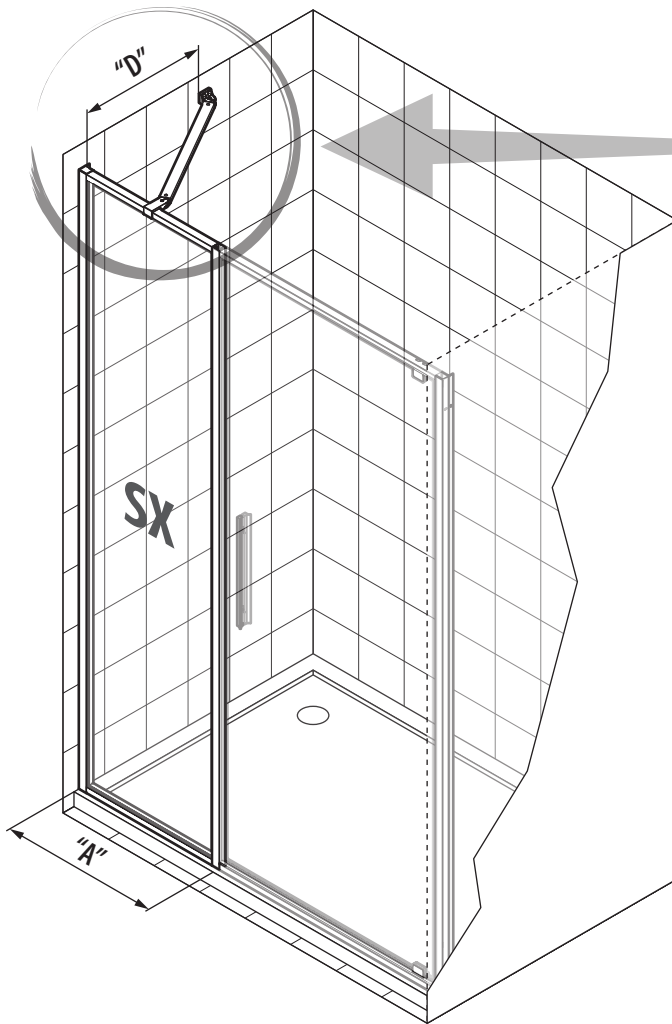
8



x2

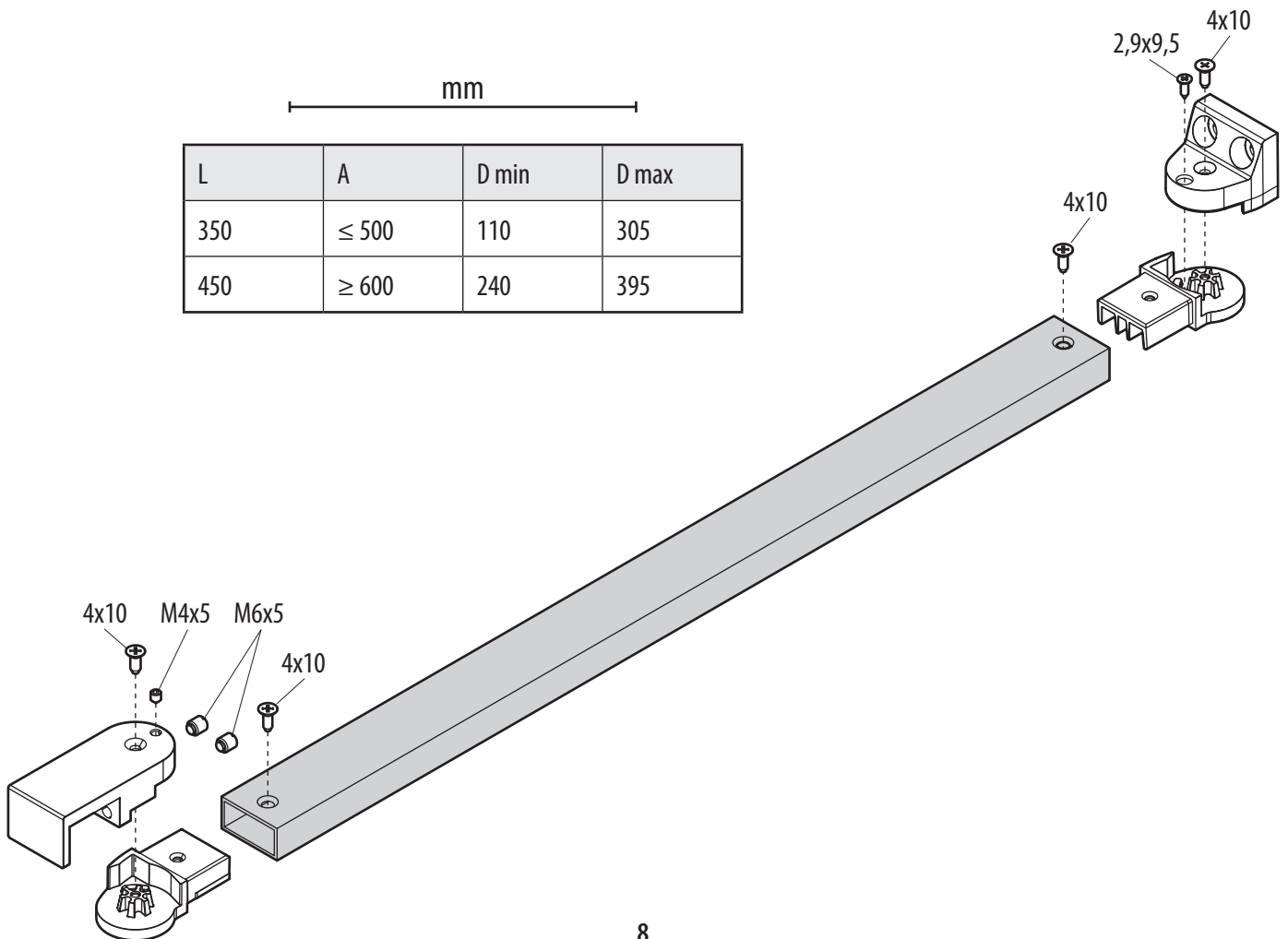


9

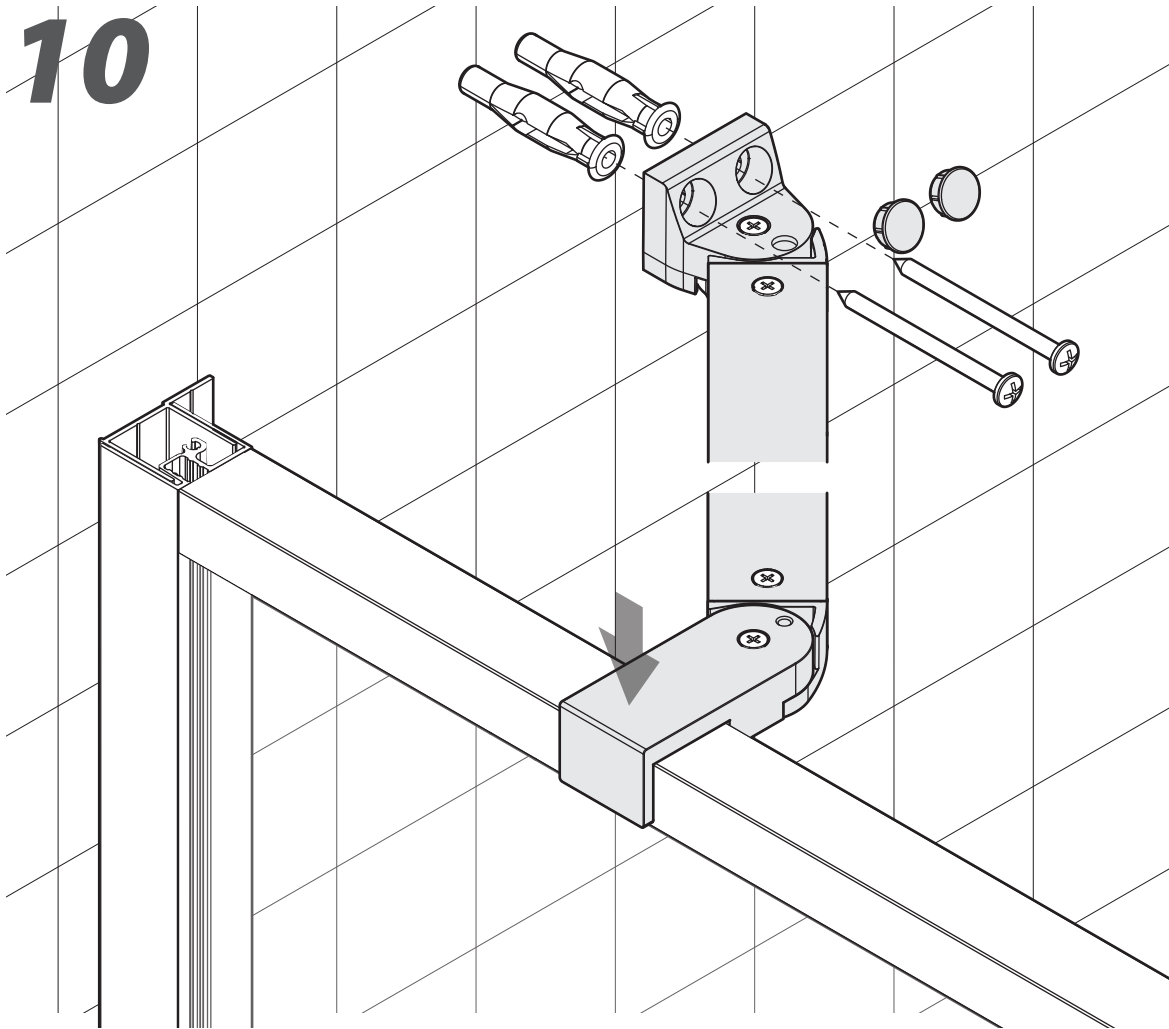


mm

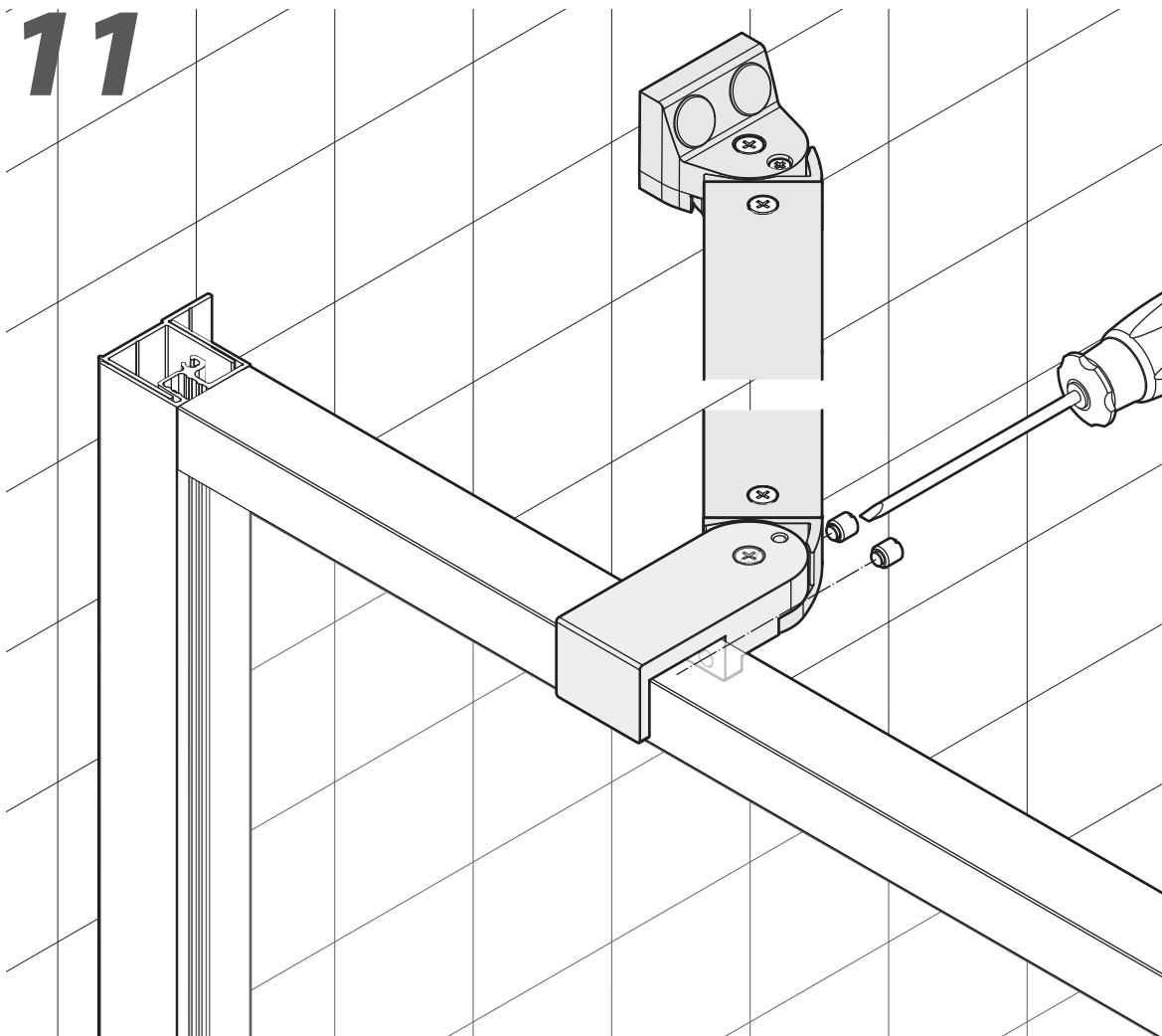
L	A	D min	D max
350	≤ 500	110	305
450	≥ 600	240	395



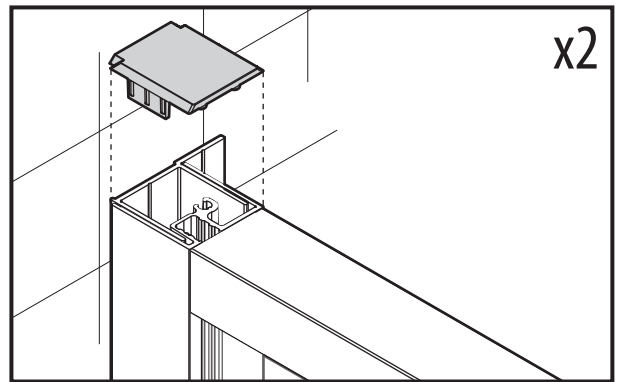
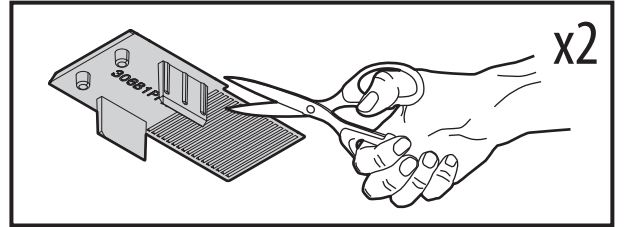
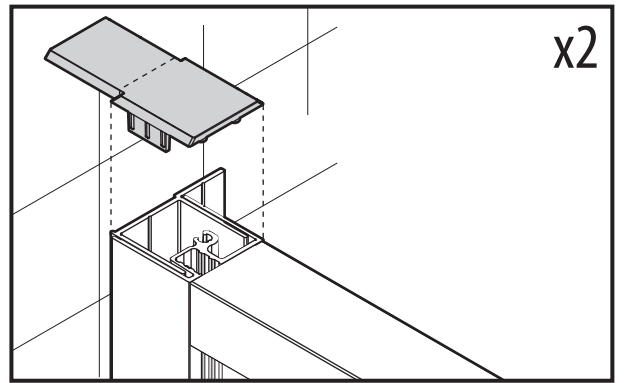
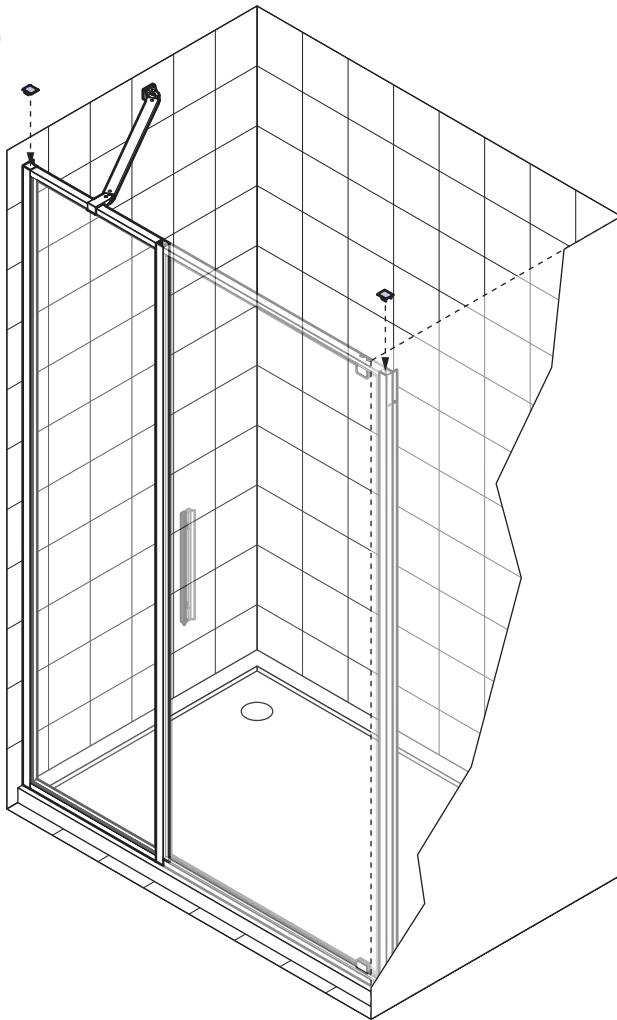
10



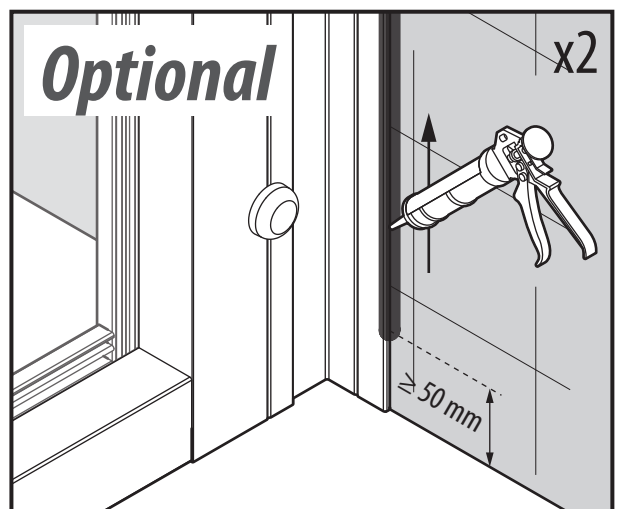
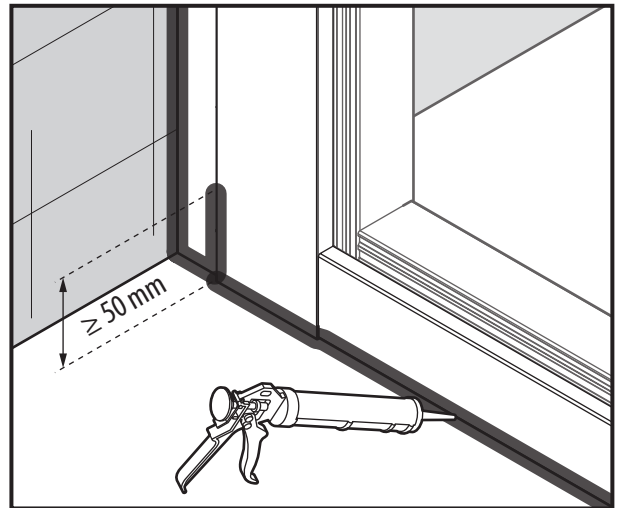
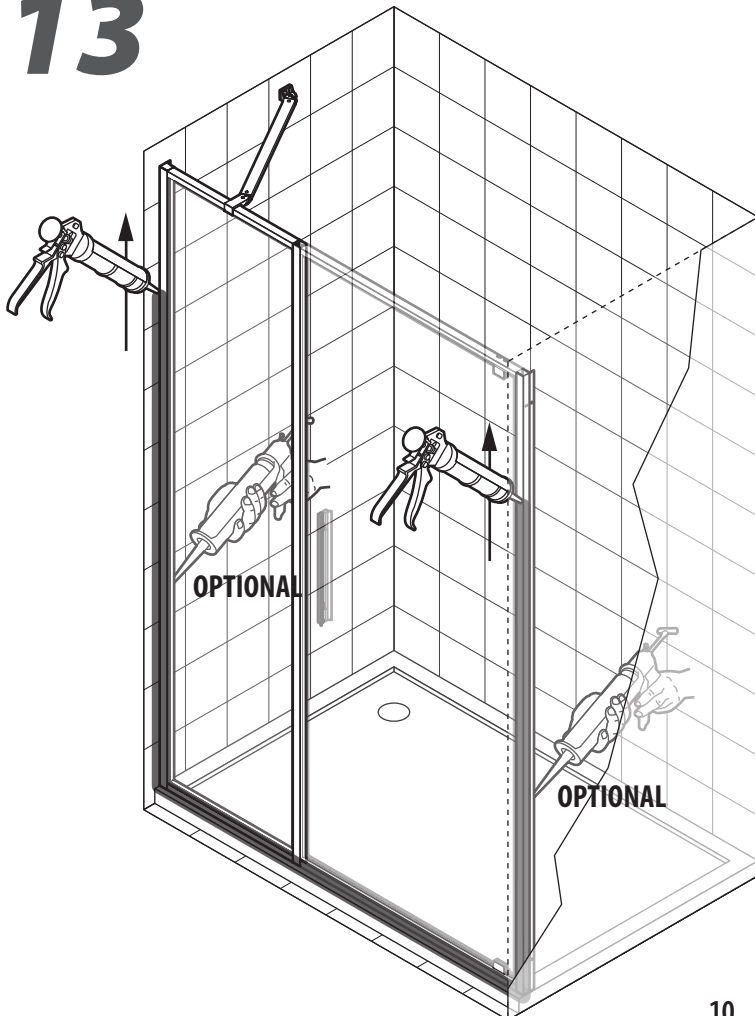
11



12



13



Note:

