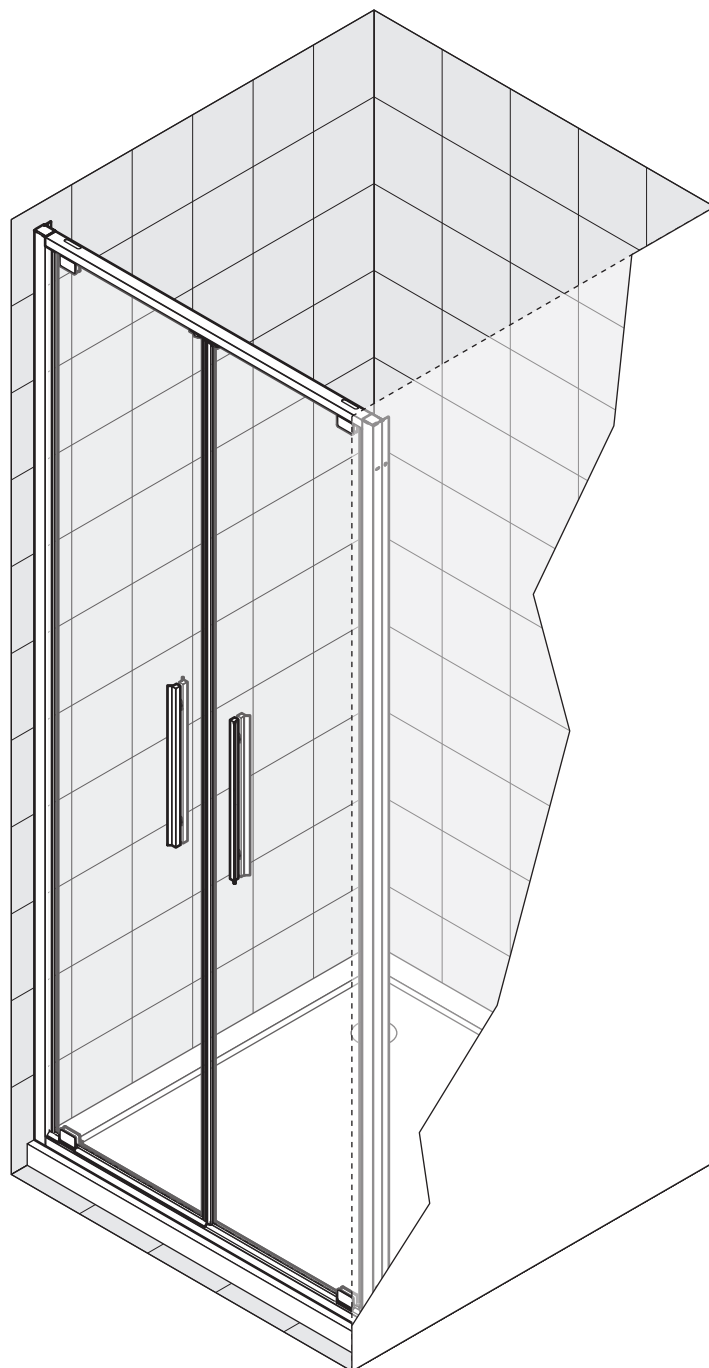
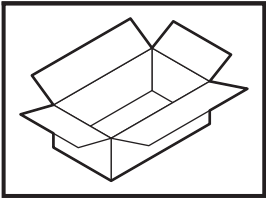
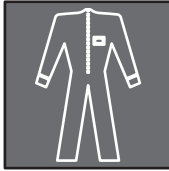
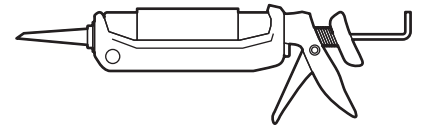
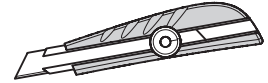
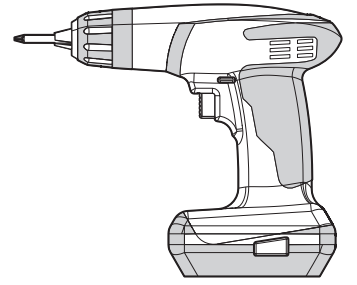
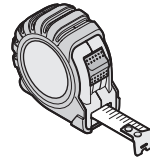
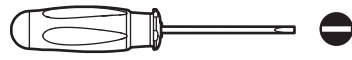
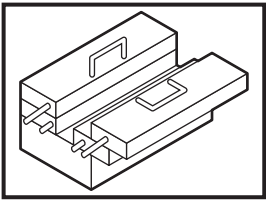


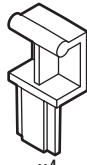
2B



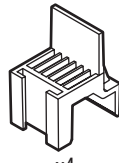
<hr/> <hr/> <hr/> <hr/>	<hr/> <hr/> <hr/> <hr/>
-------------------------	-------------------------



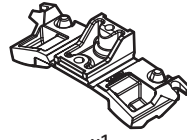
x2



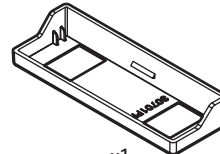
x4



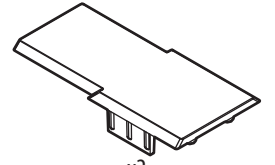
x4



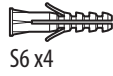
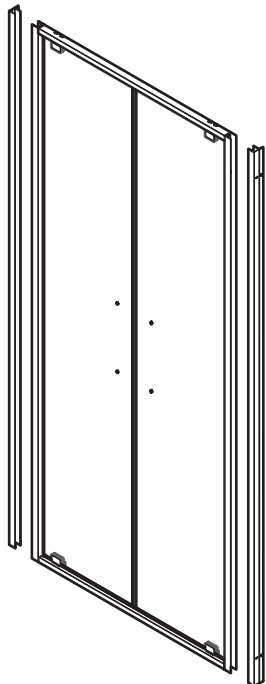
x1



x1



x2



56 x4



3,5x9,5 x4



2,9x16 x2



4x35 x4



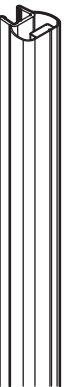
x8



x2



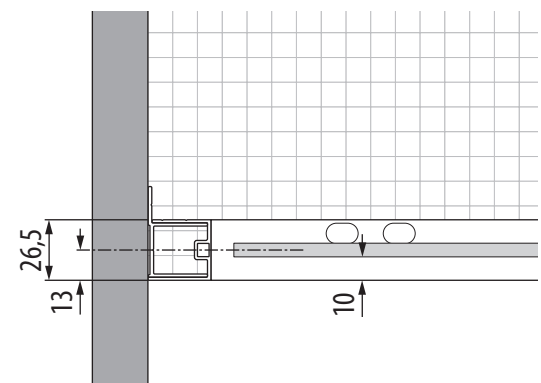
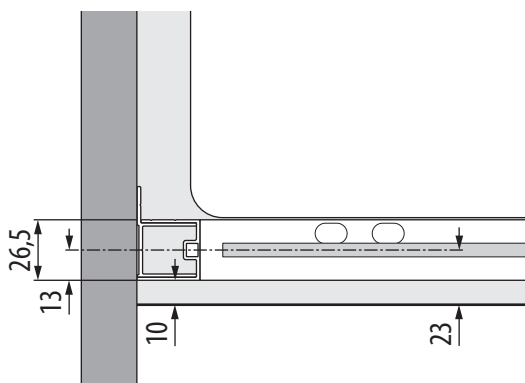
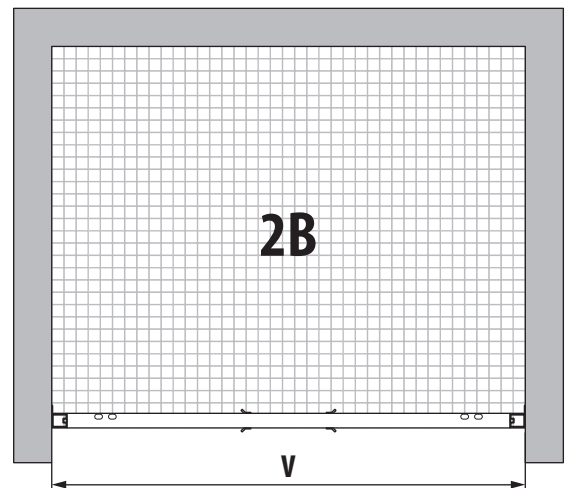
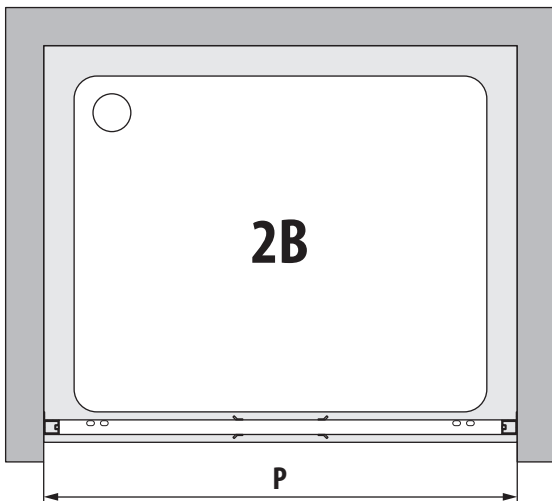
x2



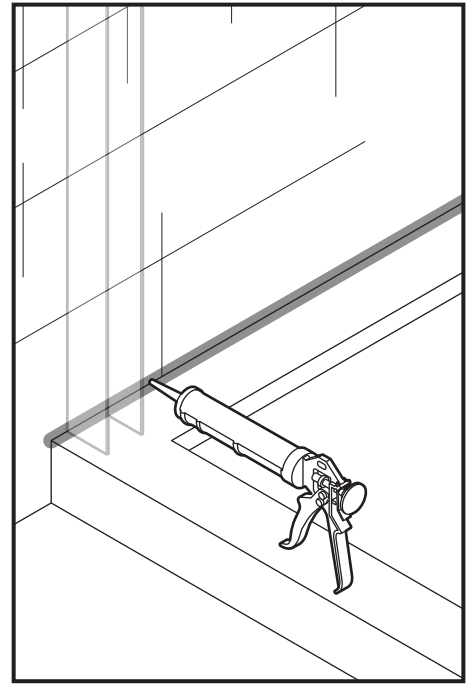
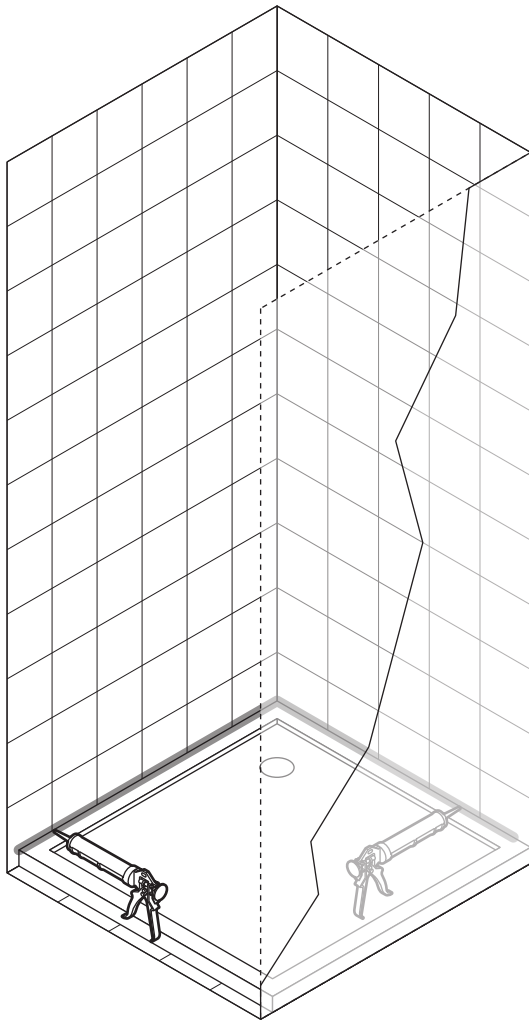
x2

G	P mm
66	660-690
69	690-720
72	720-750
76	760-790
79	790-820
86	860-890
89	890-920
96	960-990
99	990-1020

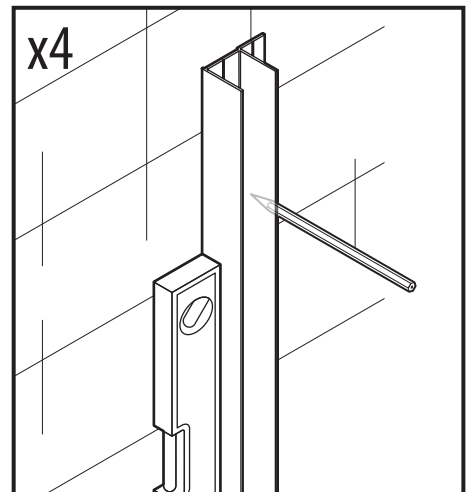
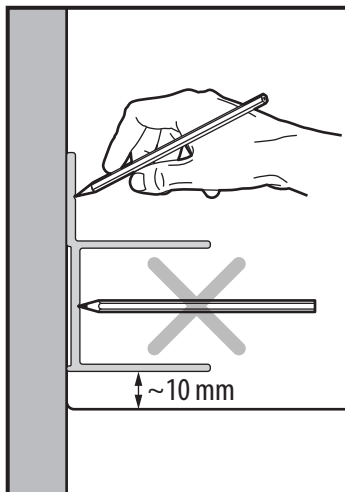
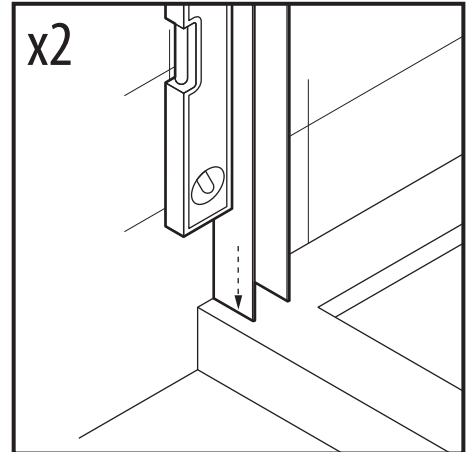
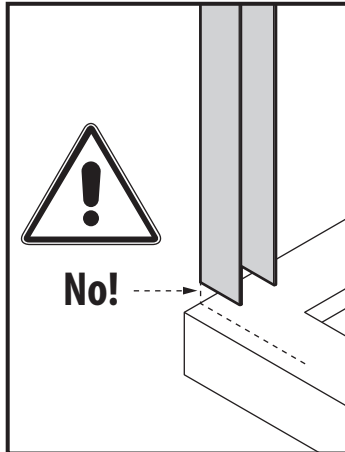
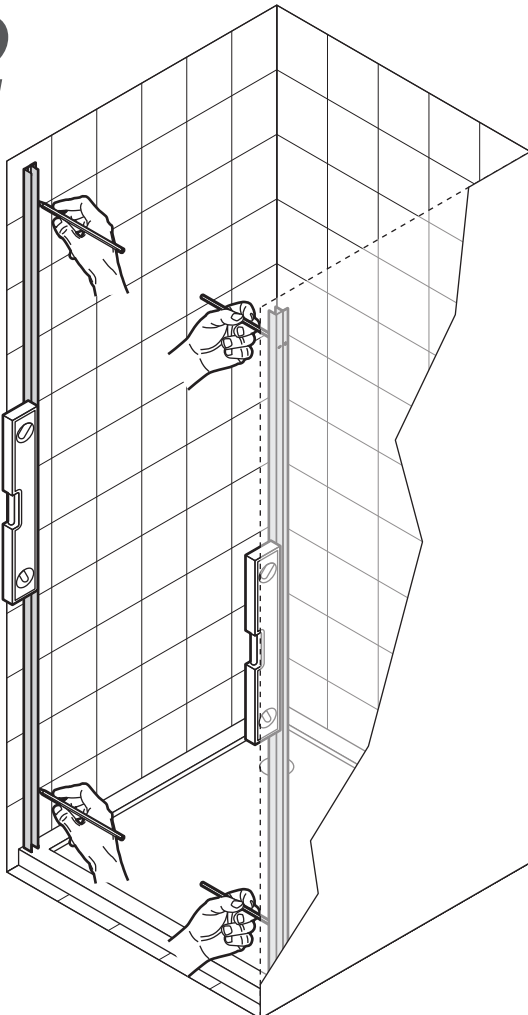
G	V mm
66	660-690
69	690-720
72	720-750
76	760-790
79	790-820
86	860-890
89	890-920
96	960-990
99	990-1020



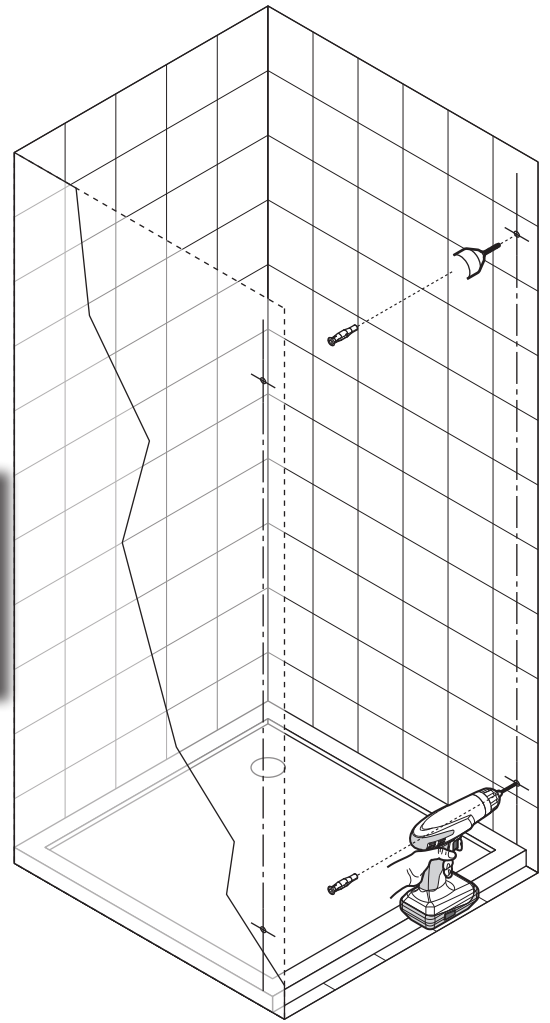
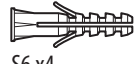
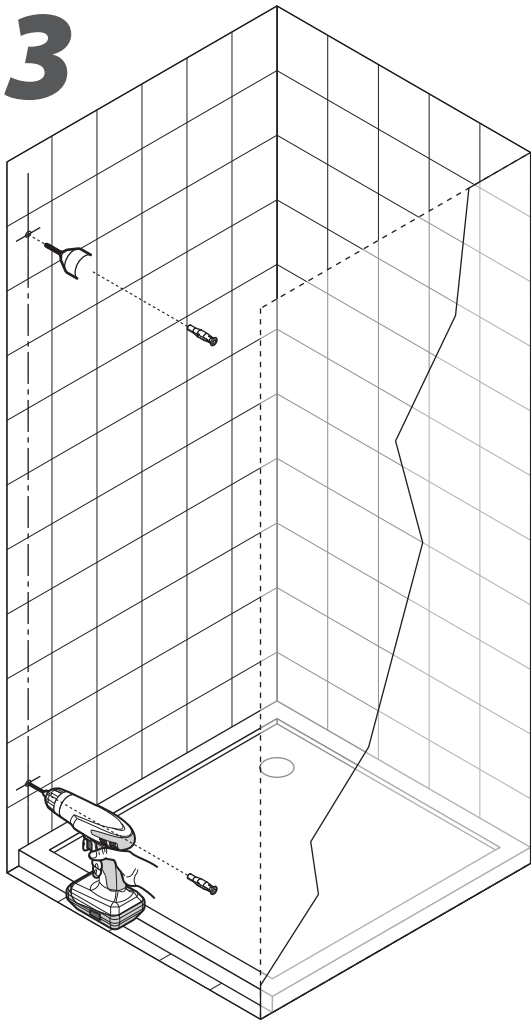
1



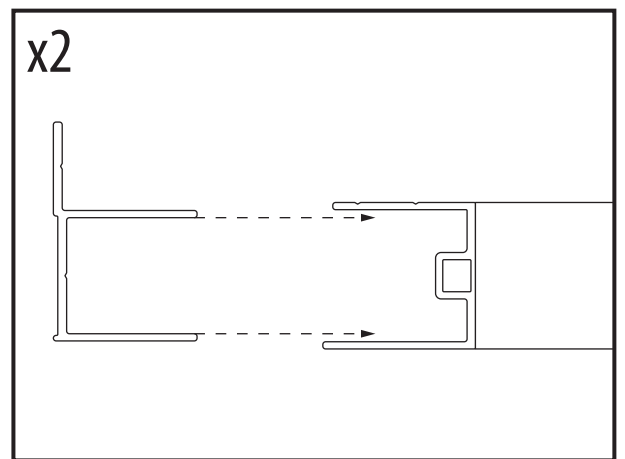
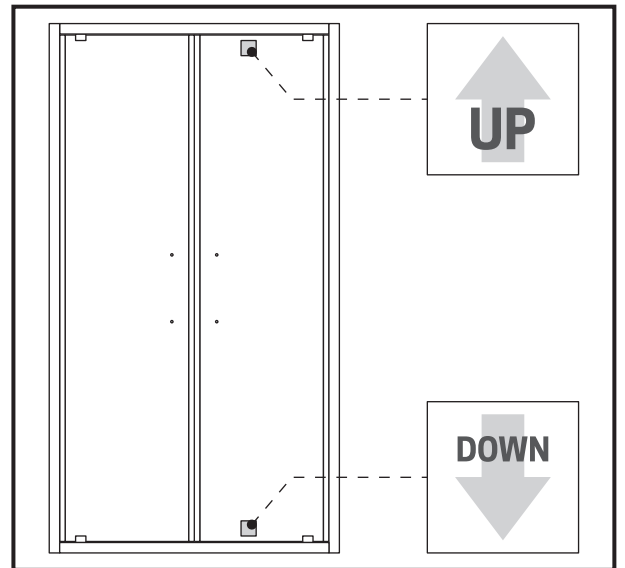
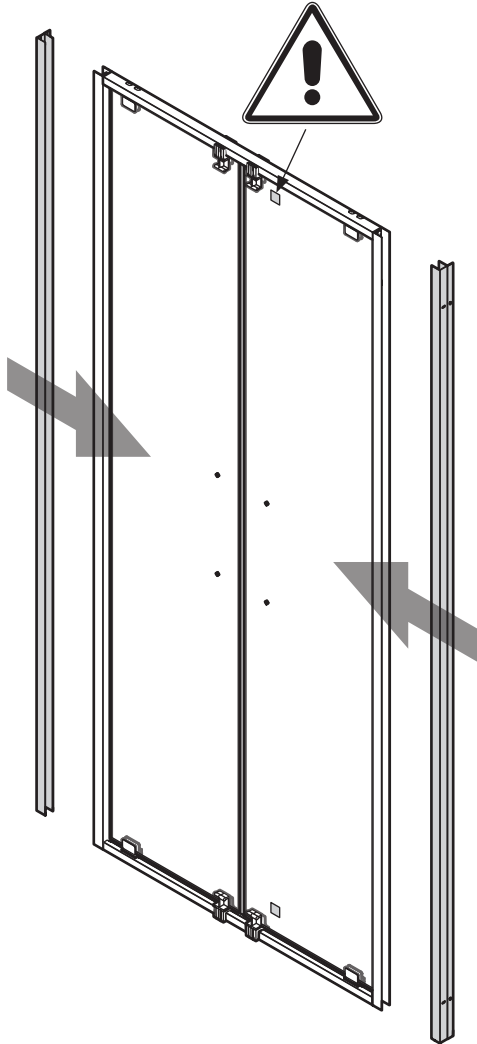
2



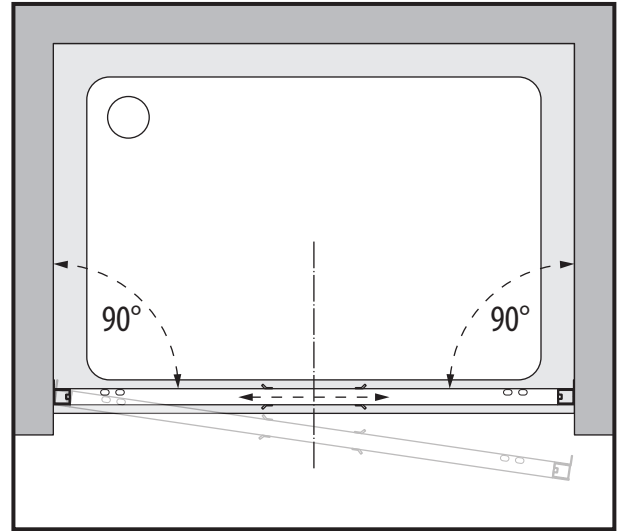
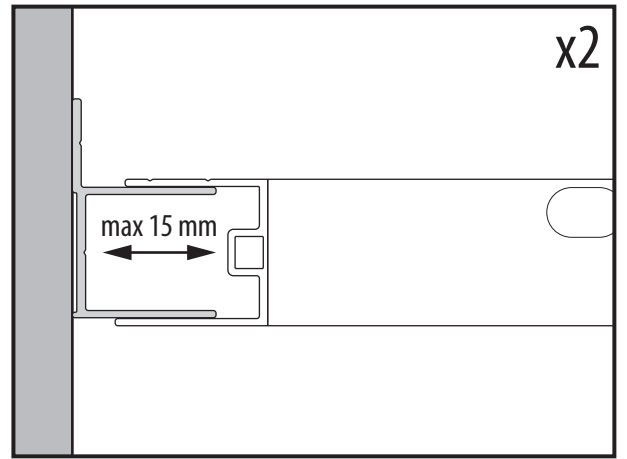
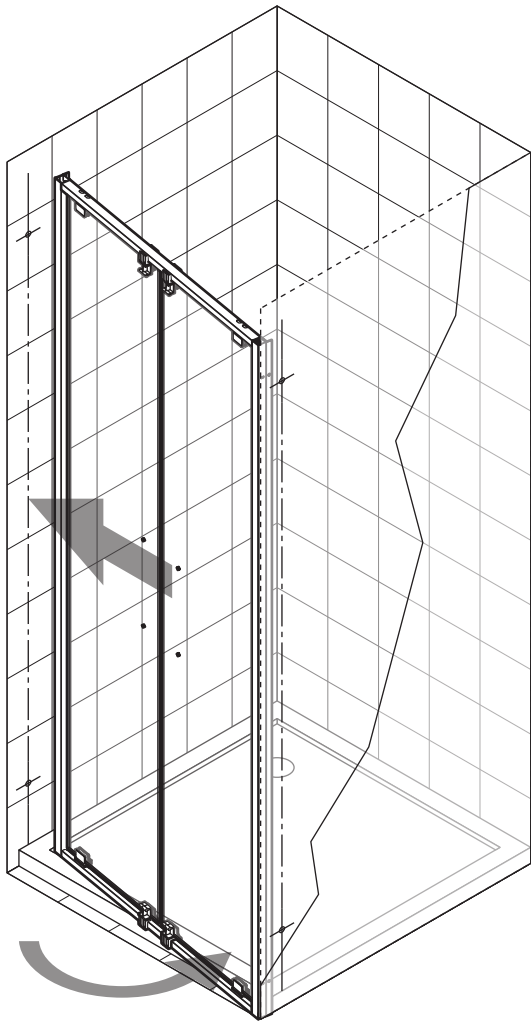
3



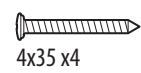
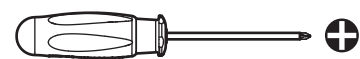
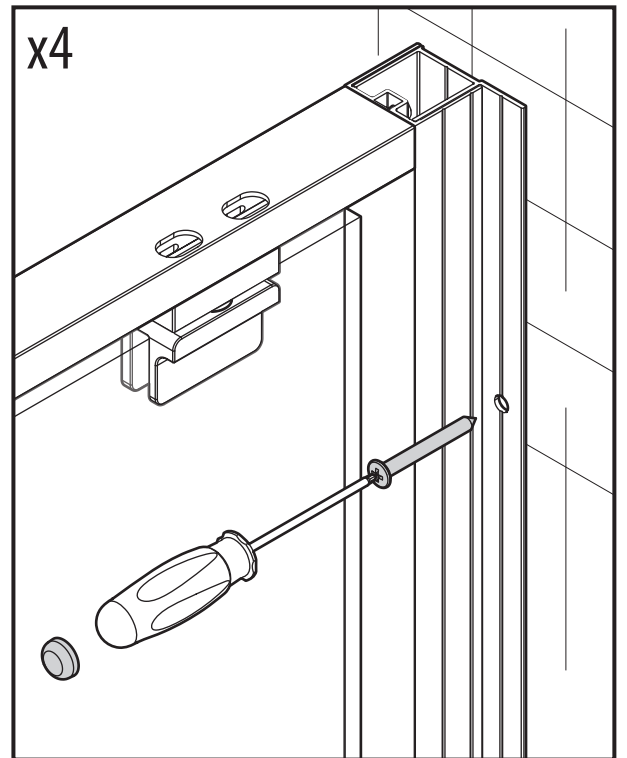
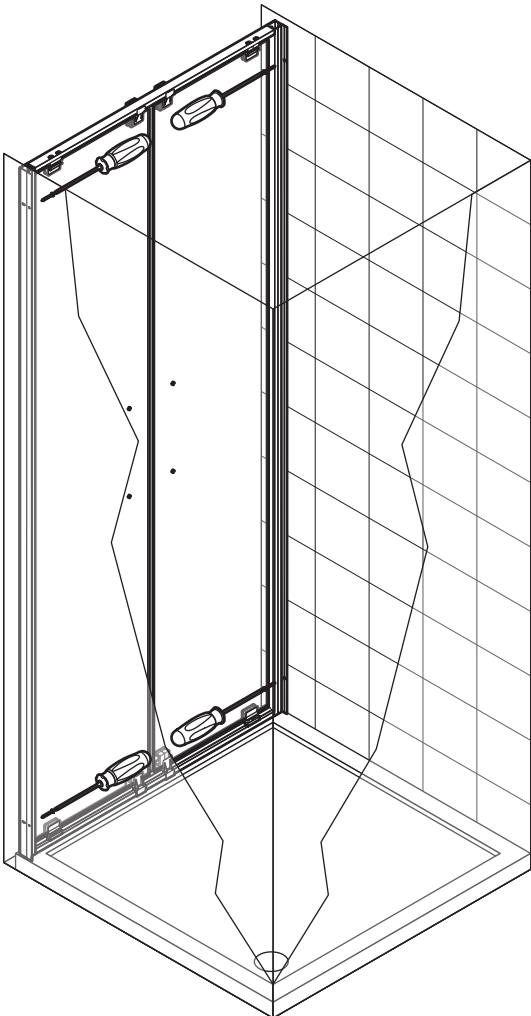
4



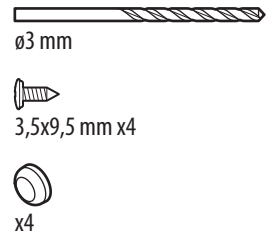
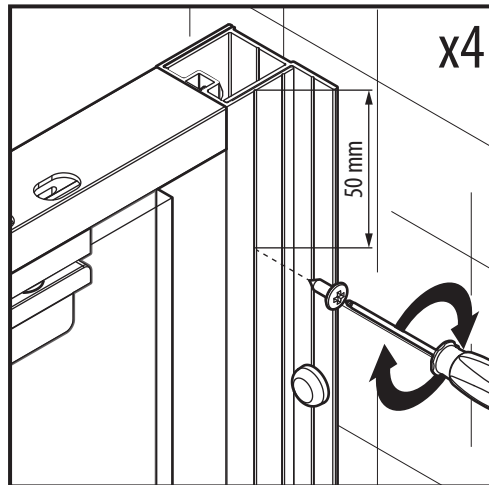
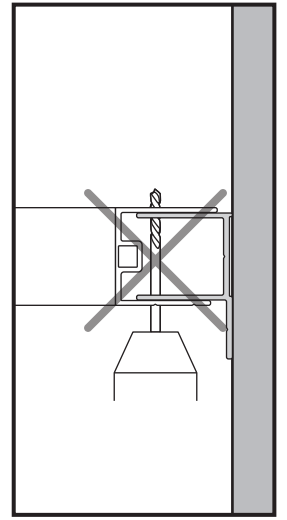
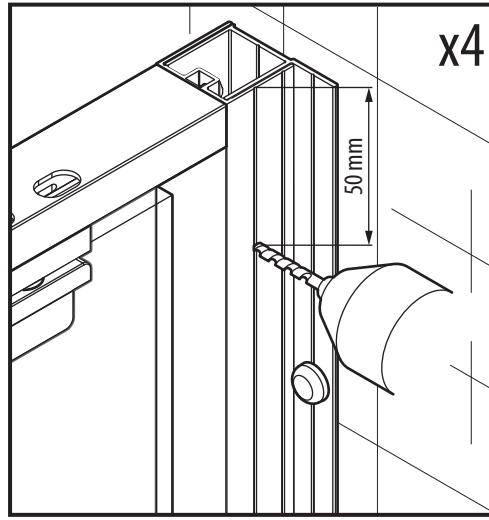
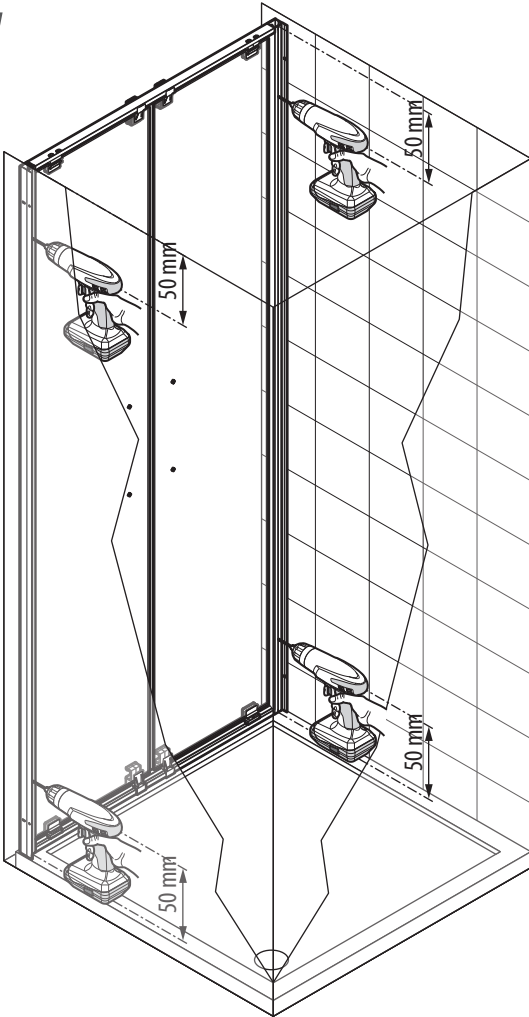
5



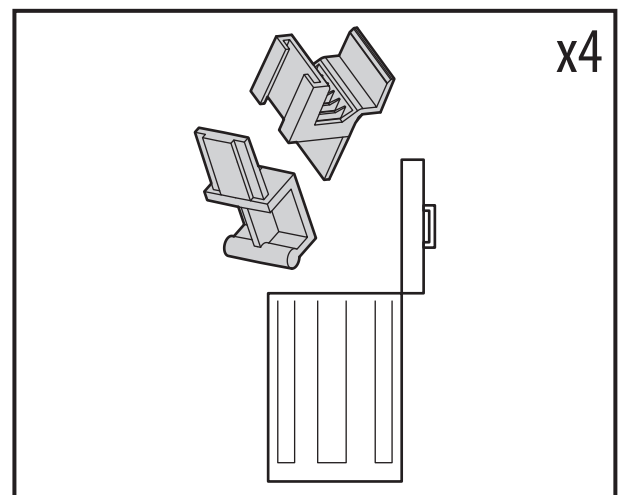
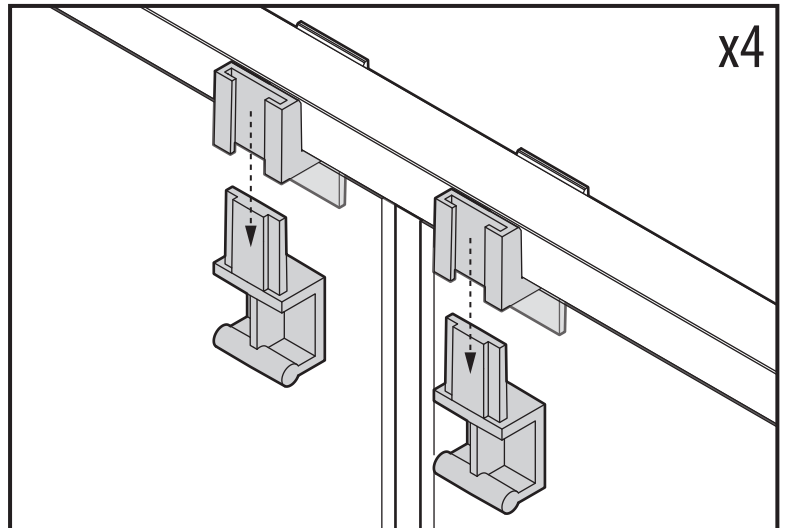
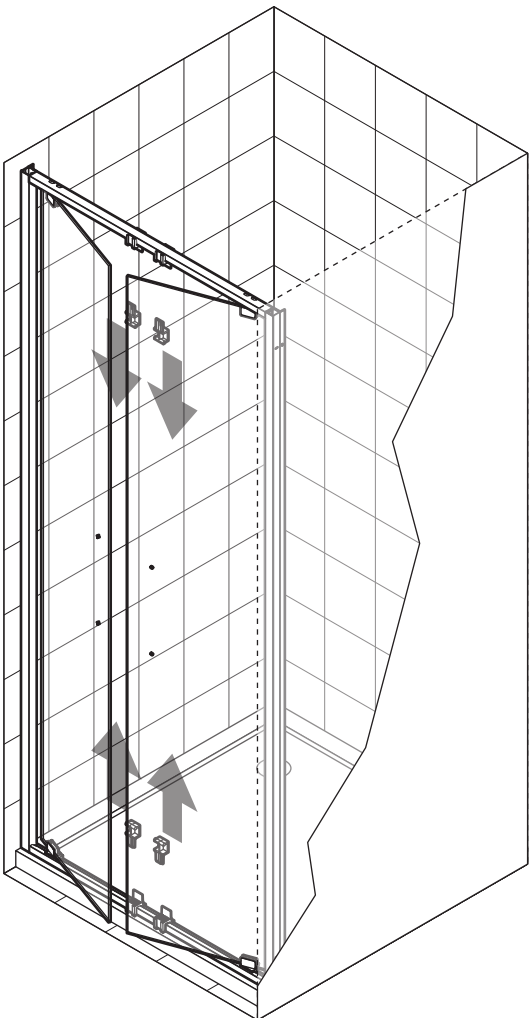
6



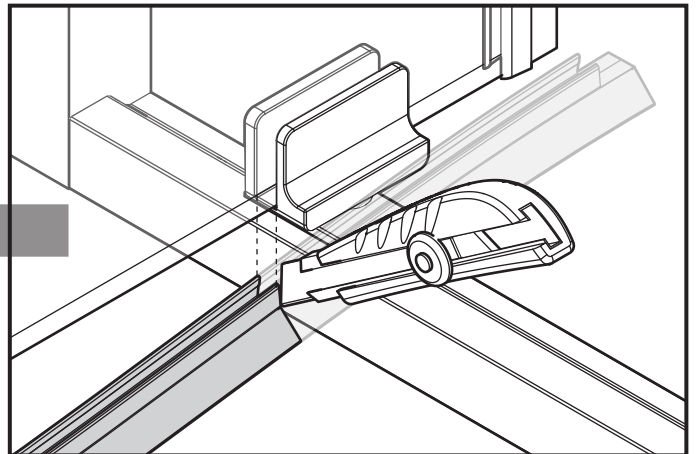
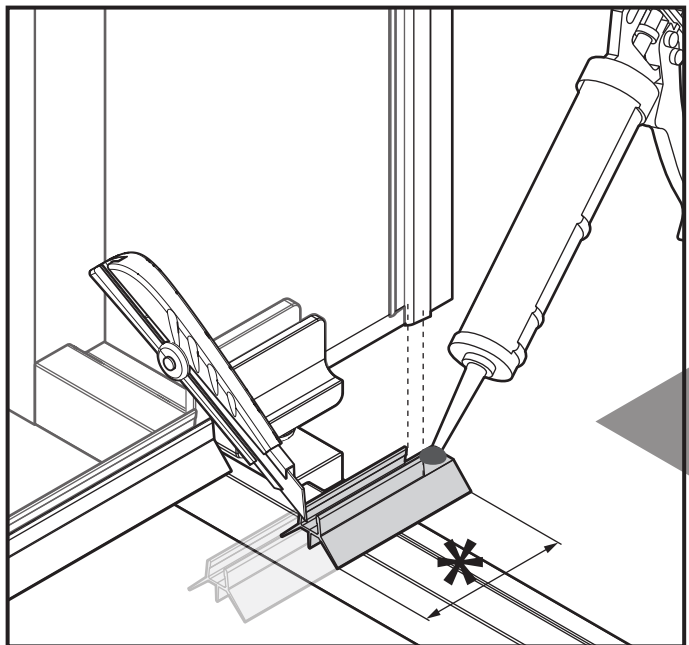
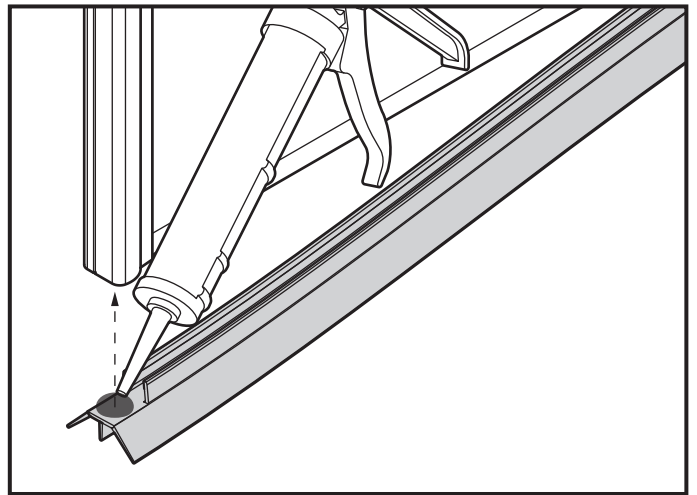
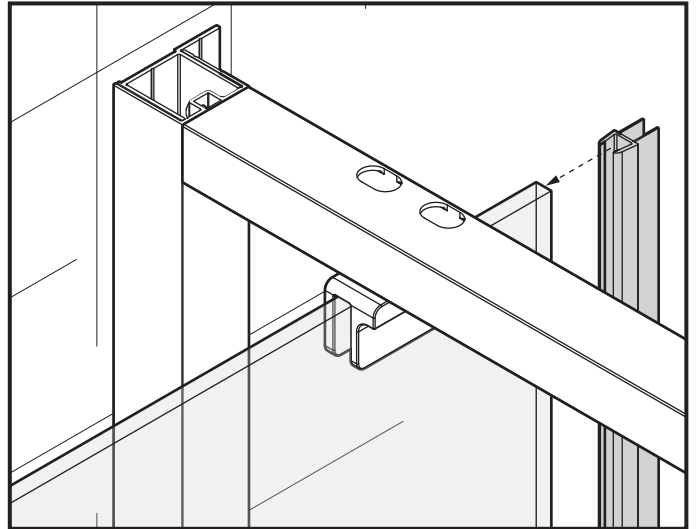
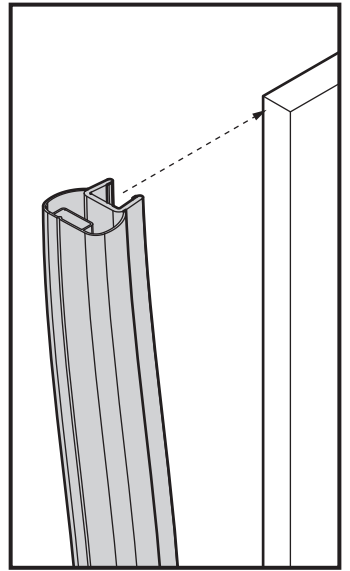
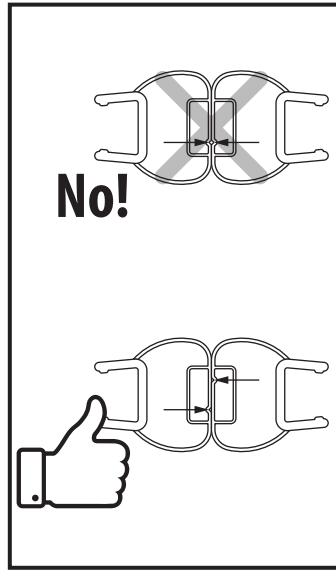
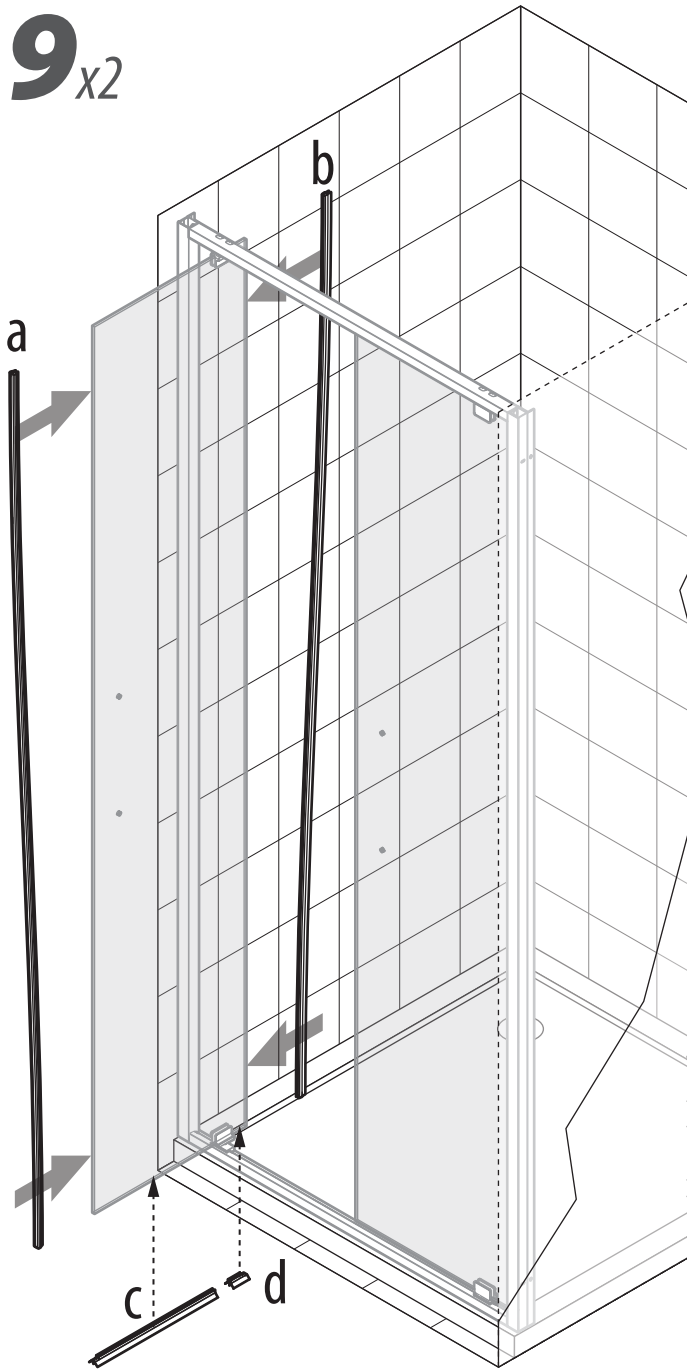
7



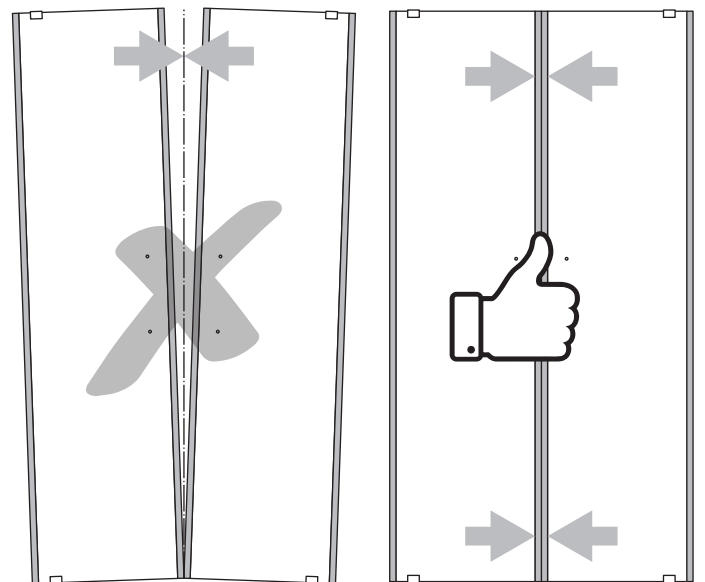
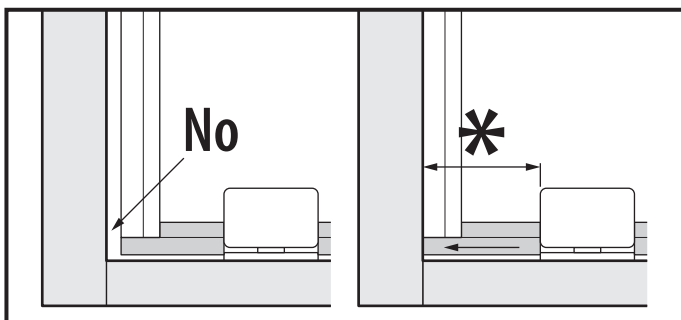
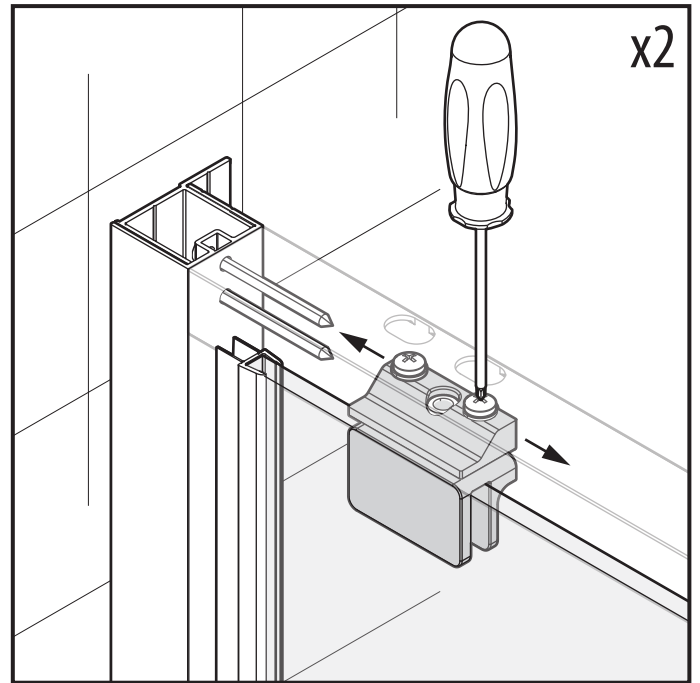
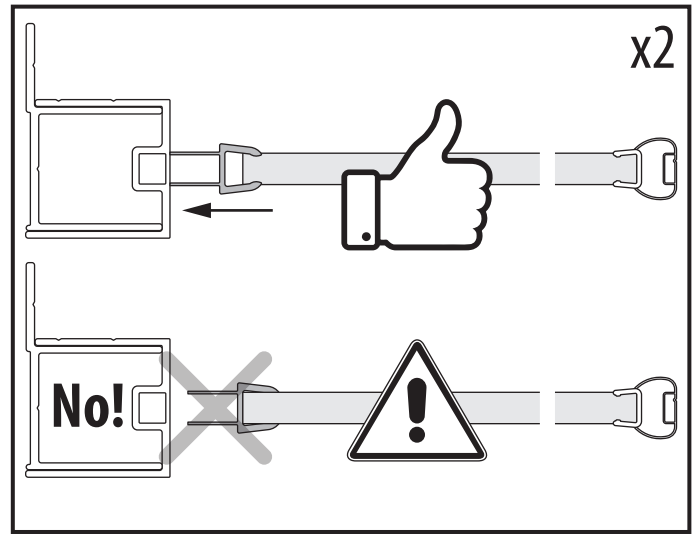
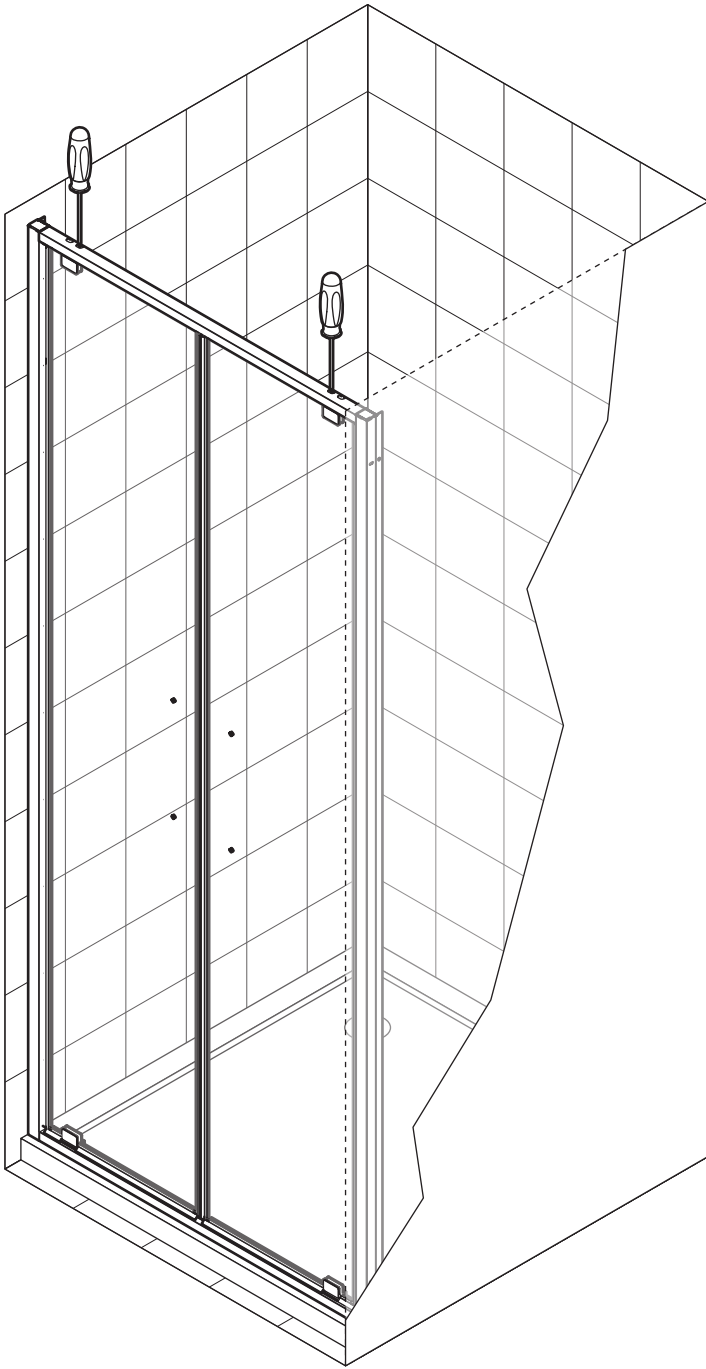
8



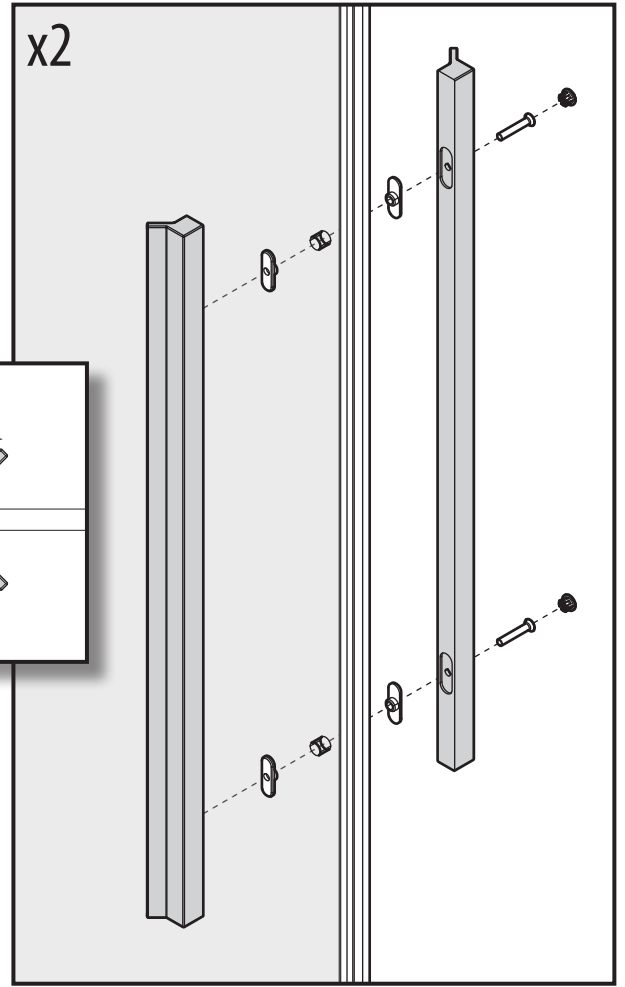
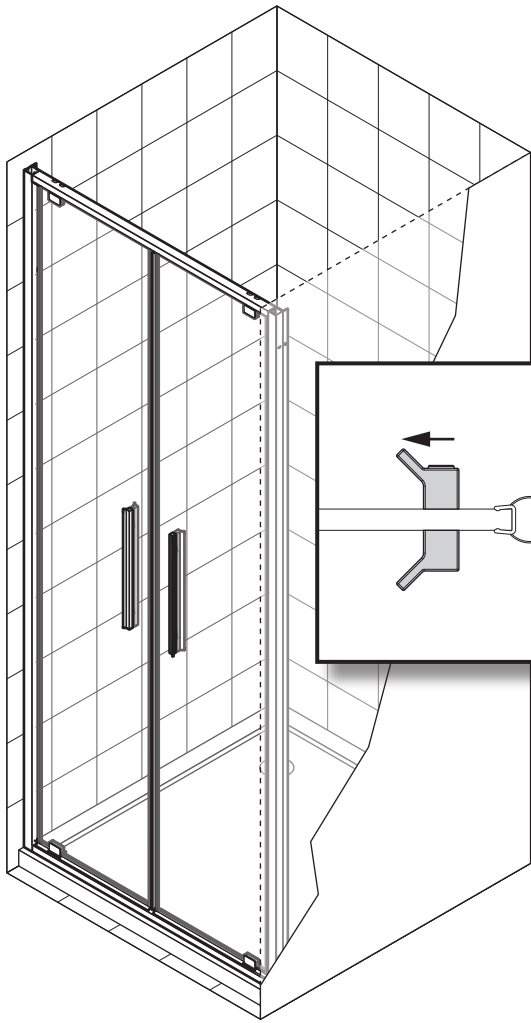
9x2



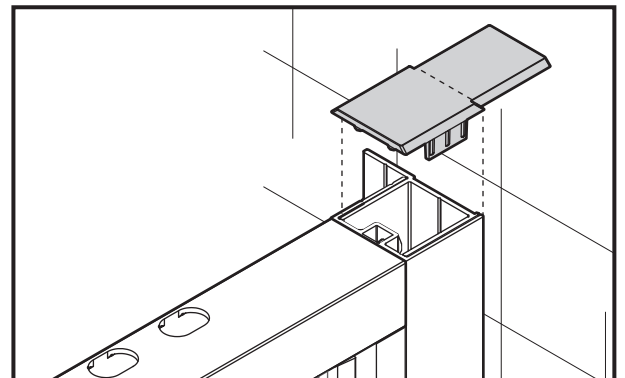
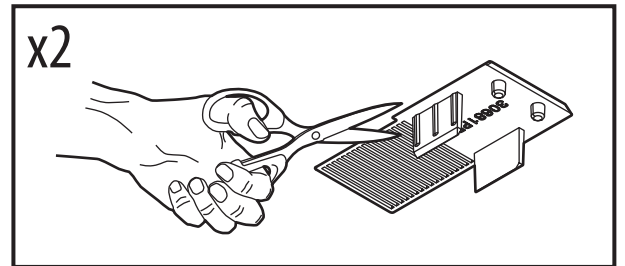
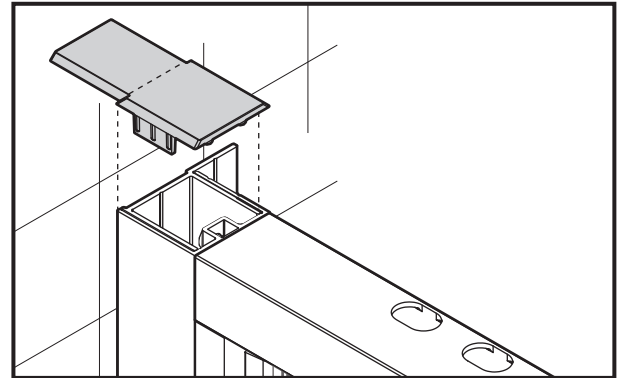
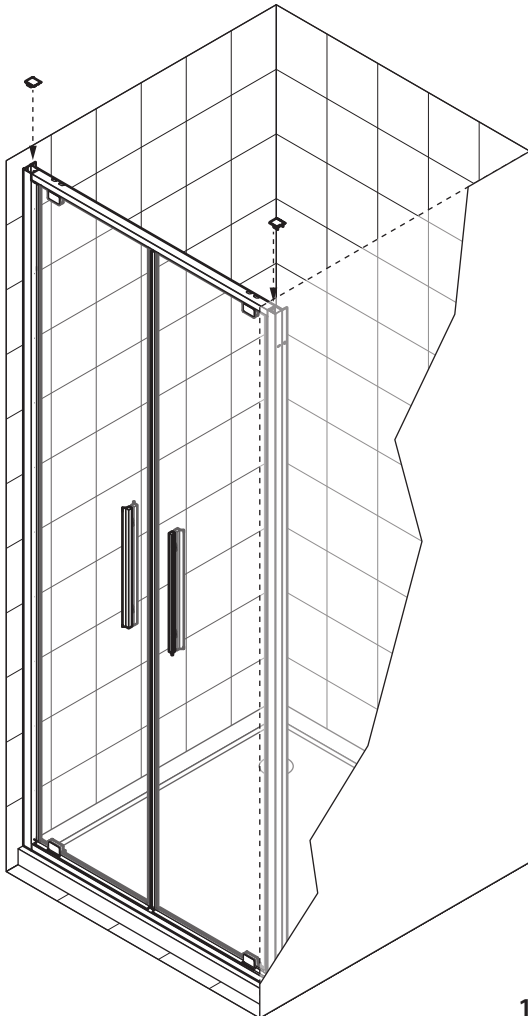
10



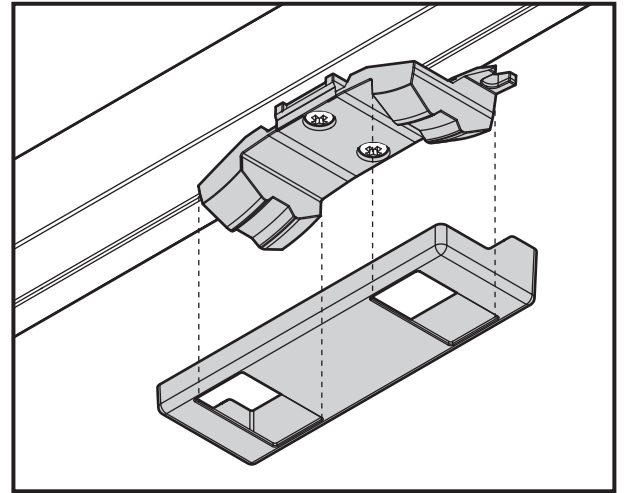
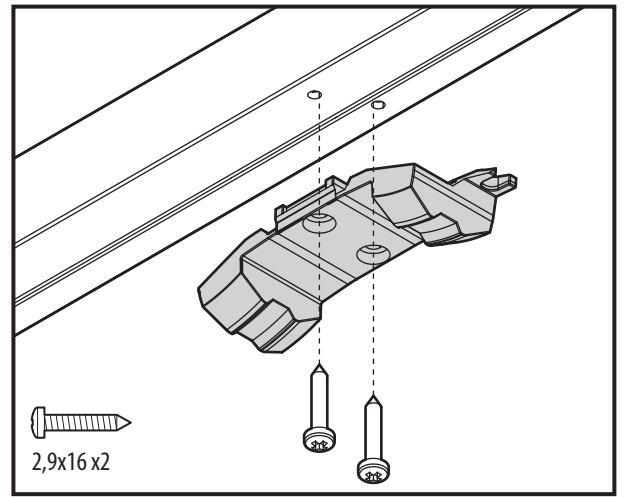
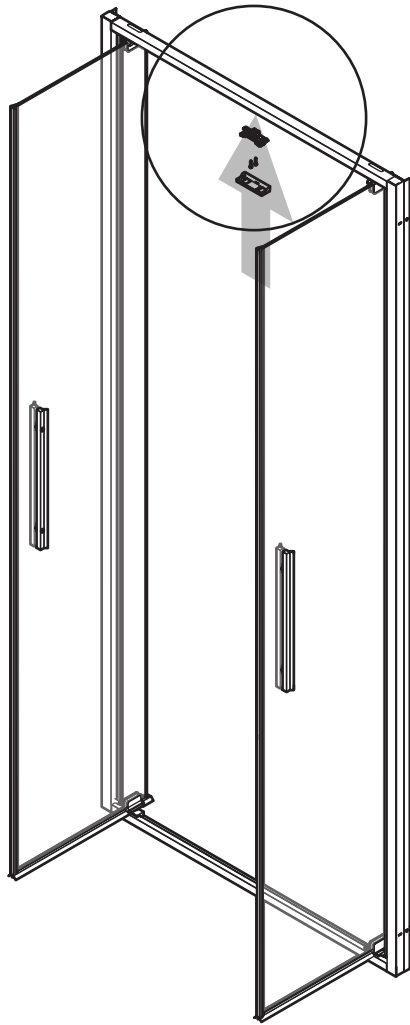
11



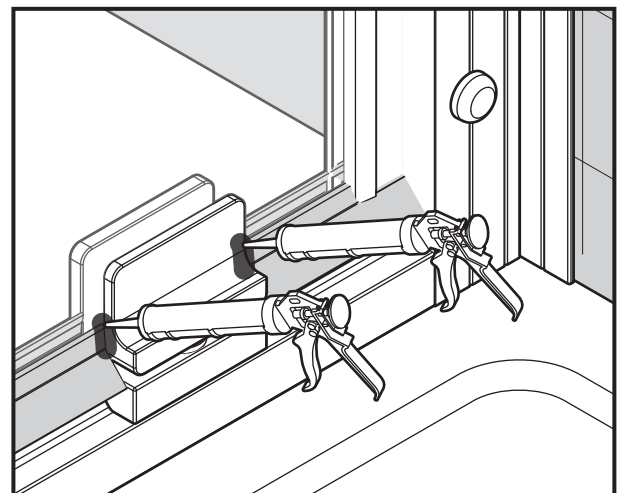
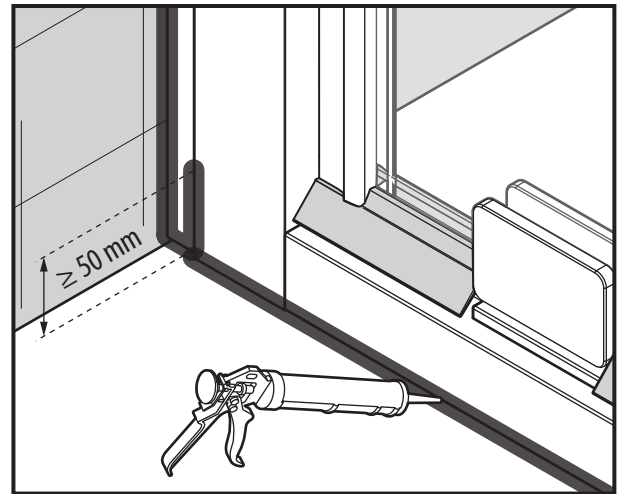
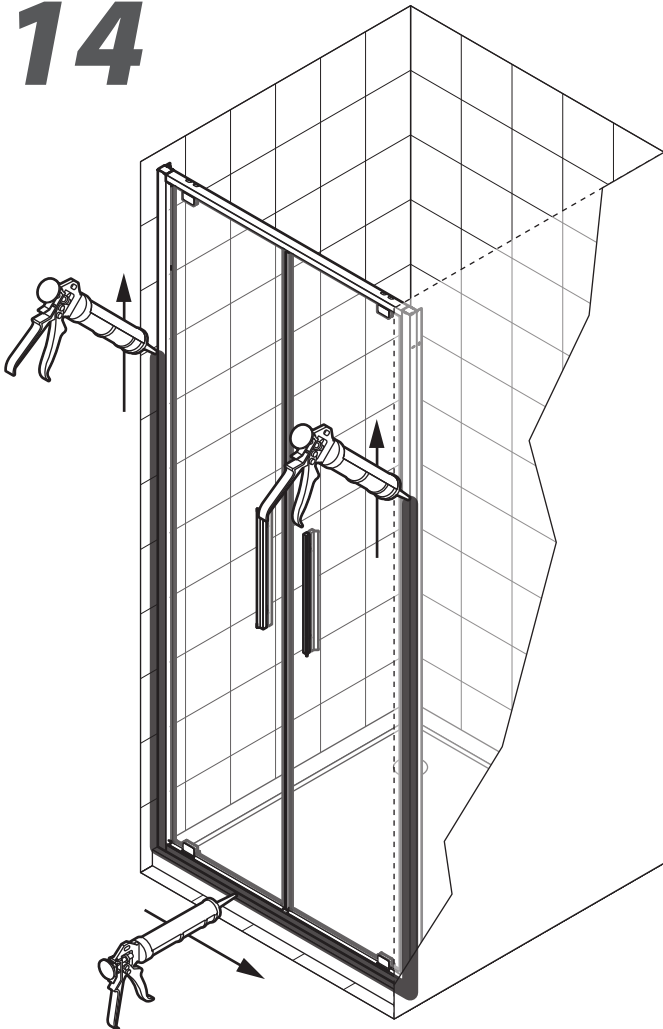
12



13



14



15

Optional

