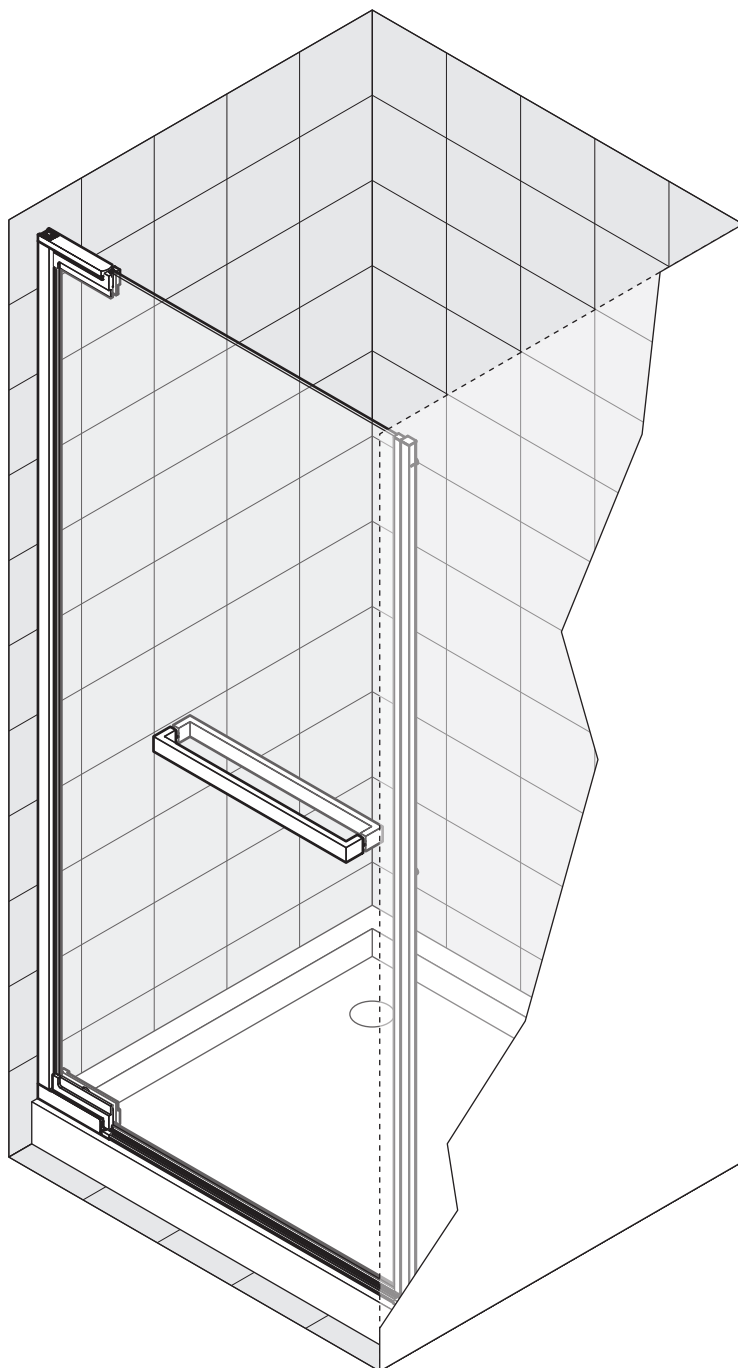


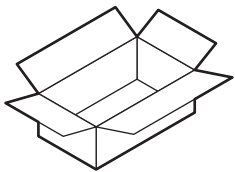
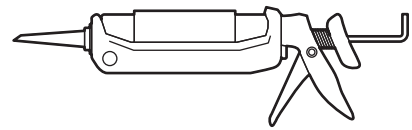
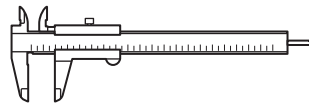
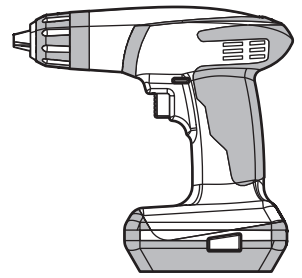
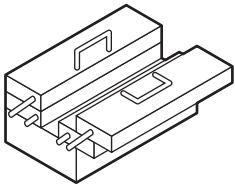
N180

 **NOVELLINI**

1B



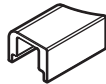
<hr/> <hr/> <hr/> <hr/>	<hr/> <hr/> <hr/> <hr/>
-------------------------	-------------------------



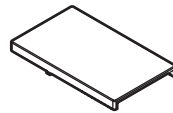
x1



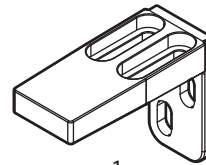
x1



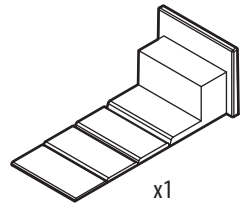
x1



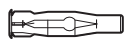
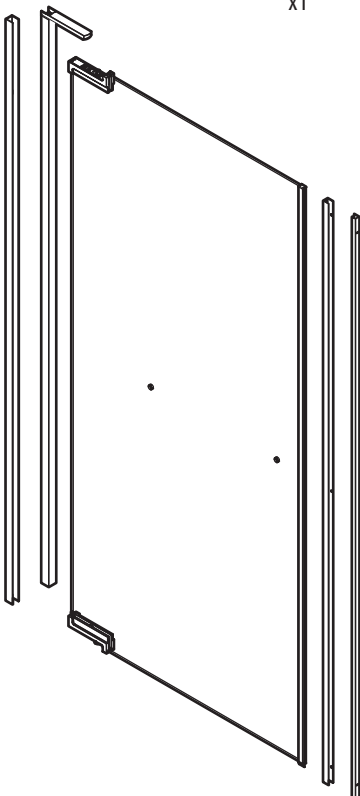
x1



x1



x1



FU8x50 x7



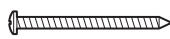
x1



M4x10 x2



x6



4,5x60 x7



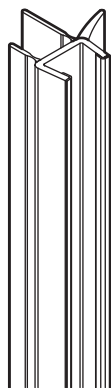
3,5x45 x2



3,5x9,5 x6



x6



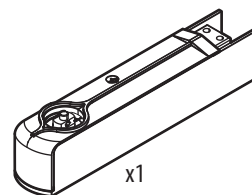
x1



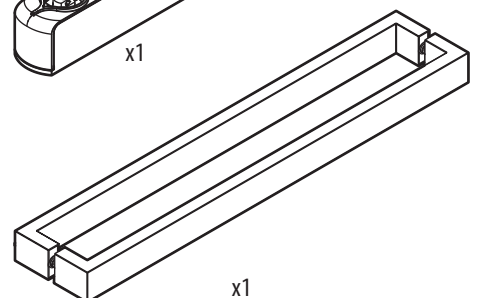
x1



x1



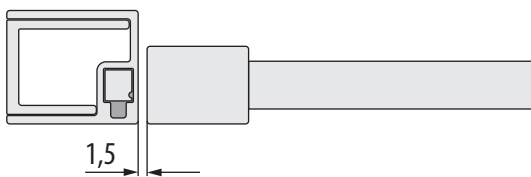
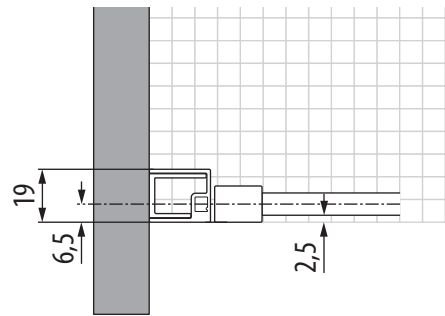
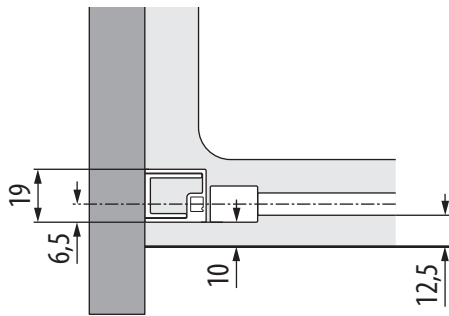
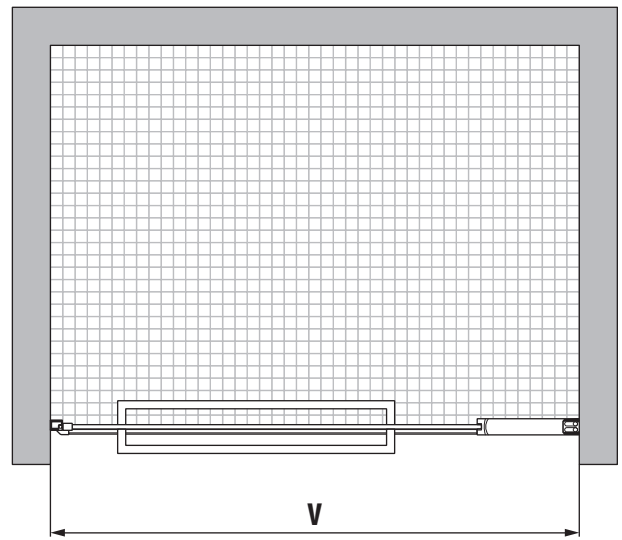
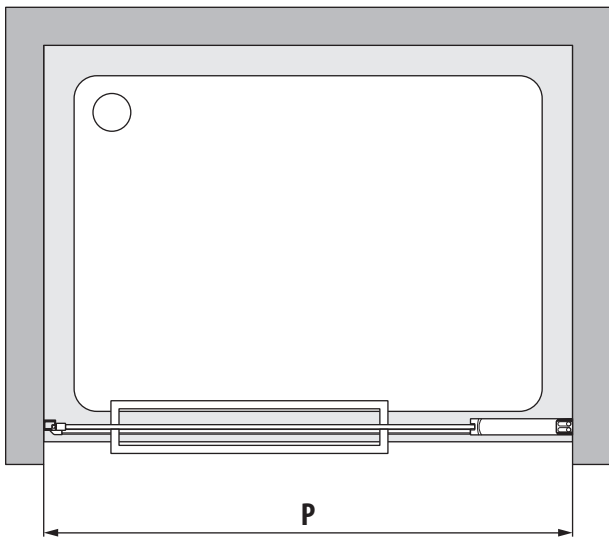
x1



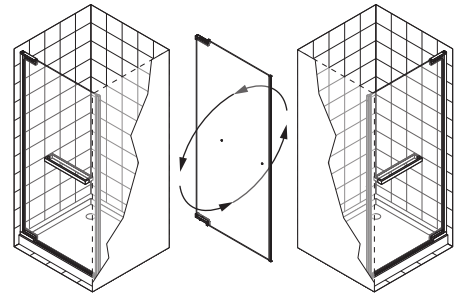
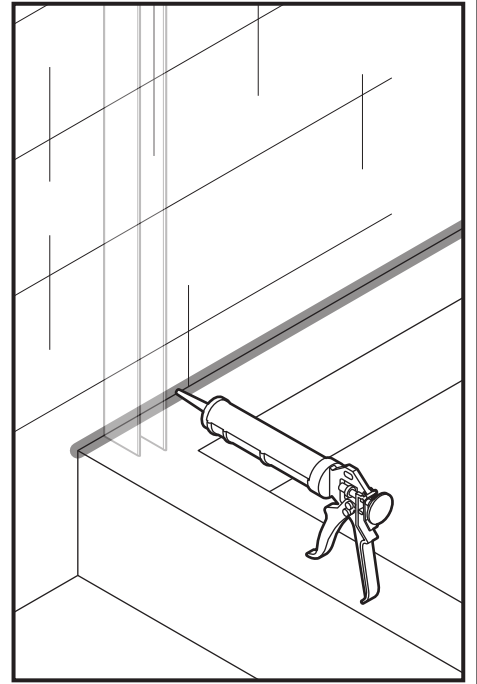
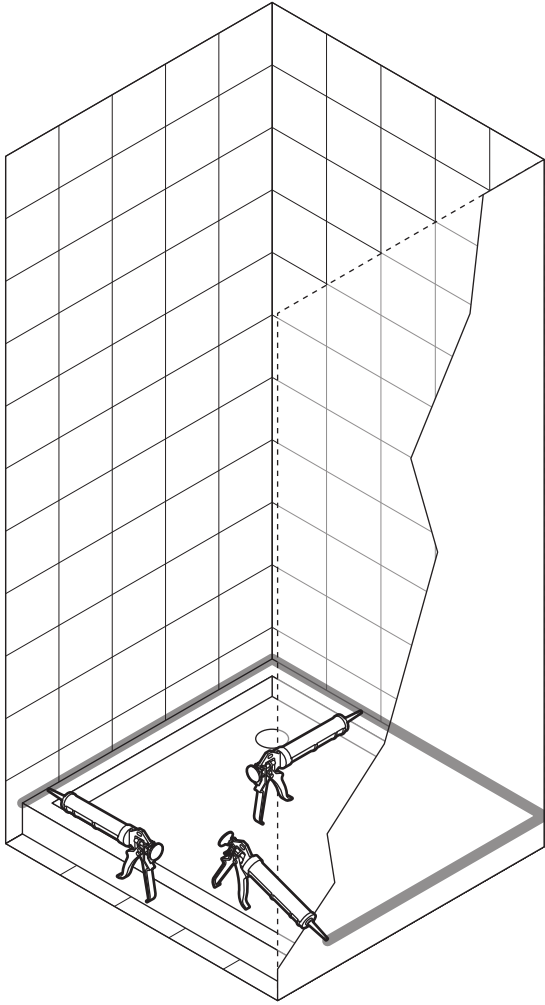
x1

1B	P
79	775-790
80	785-800
89	875-890
90	885-900
99	975-990
100	985-1000

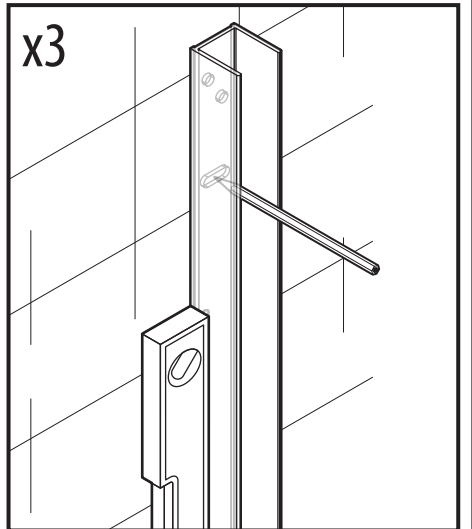
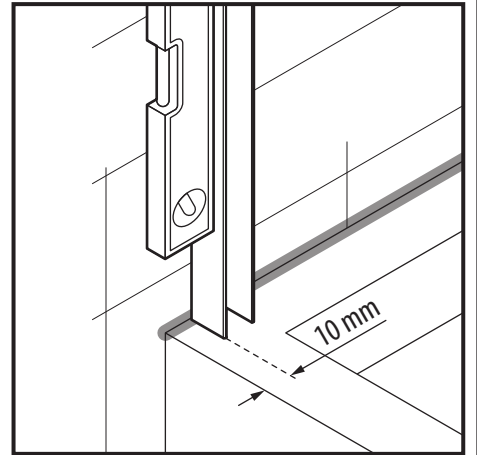
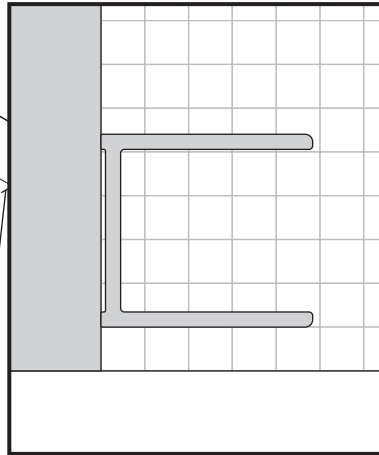
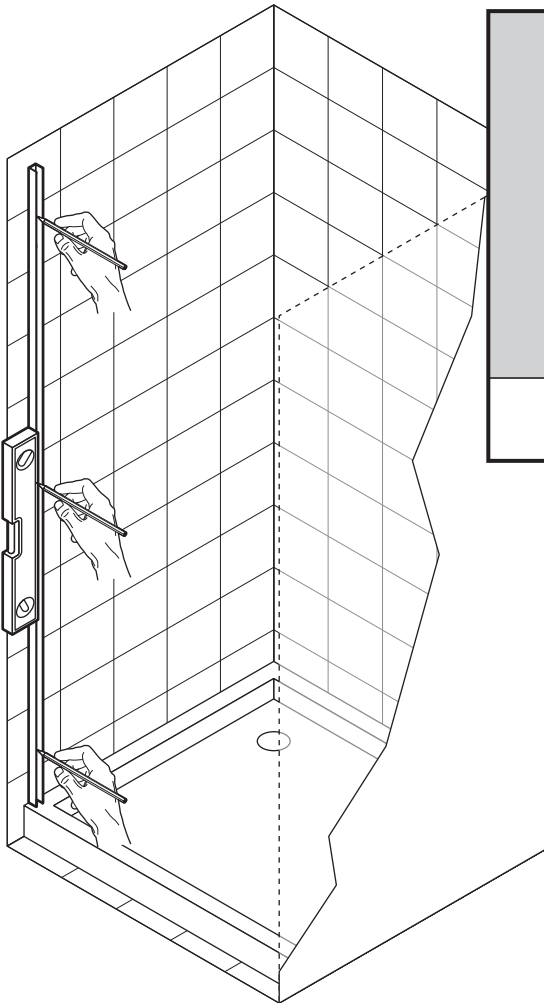
1B	V
79	775-790
80	785-800
89	875-890
90	885-900
99	975-990
100	985-1000



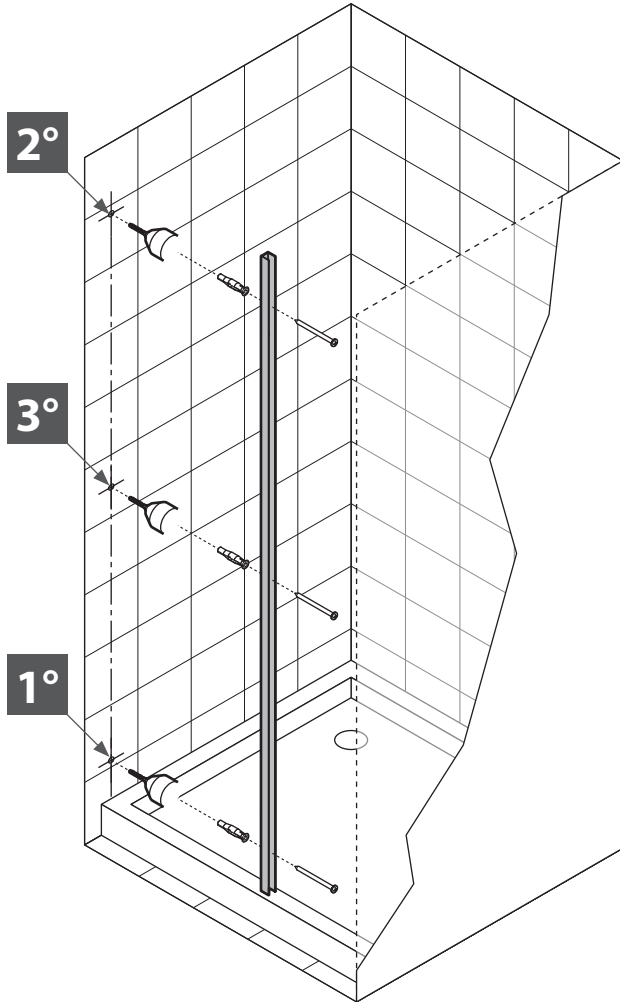
1



2



3



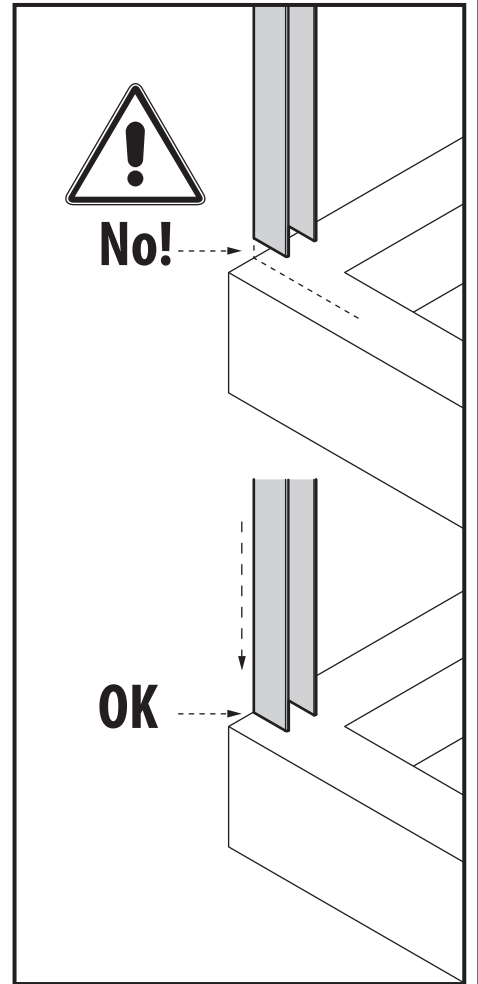
FU8x50 x3



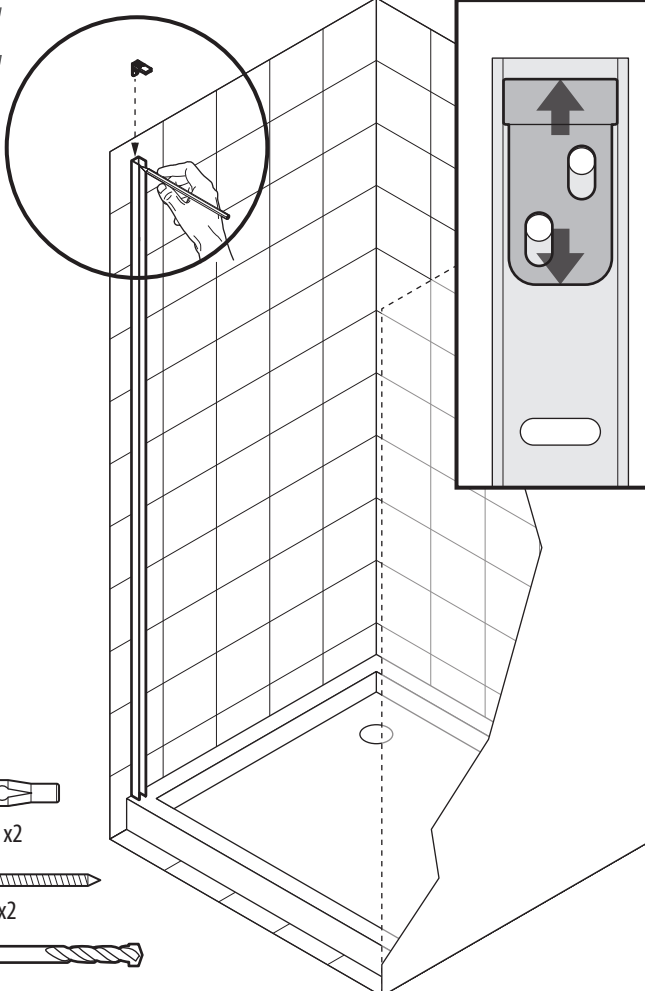
4,5x60 x3



ø8 mm



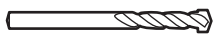
4



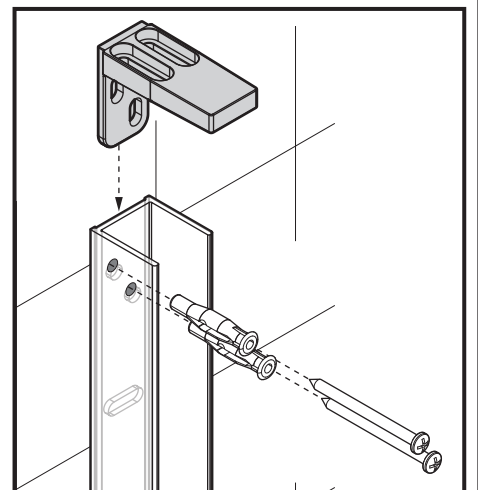
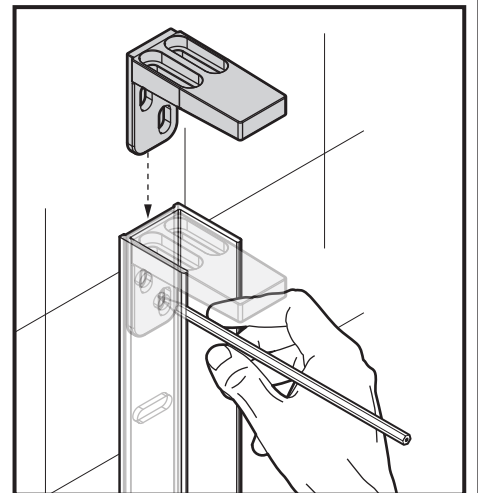
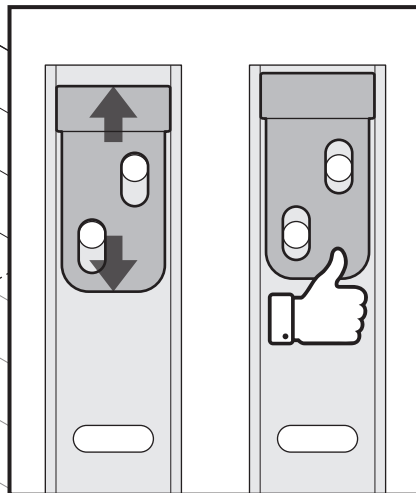
FU8x50 x2



4,5x60 x2

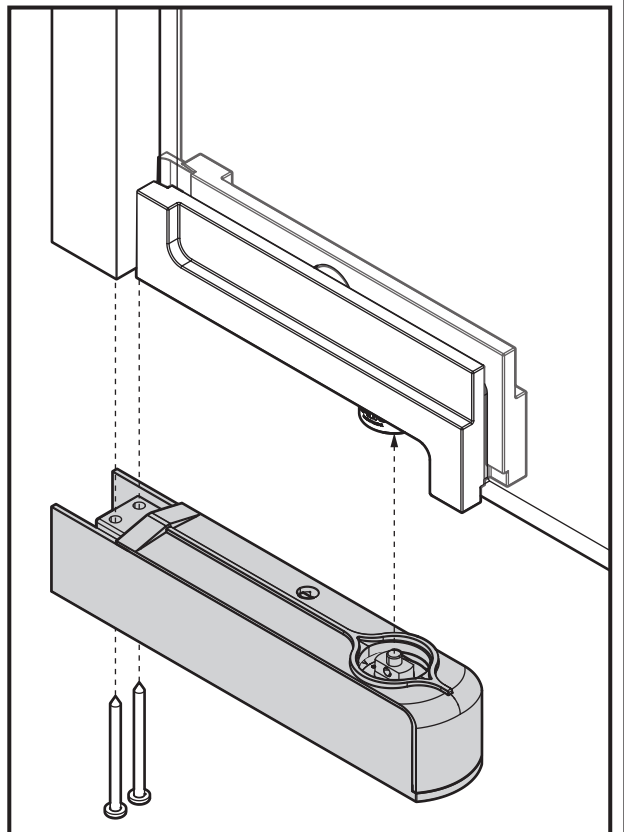
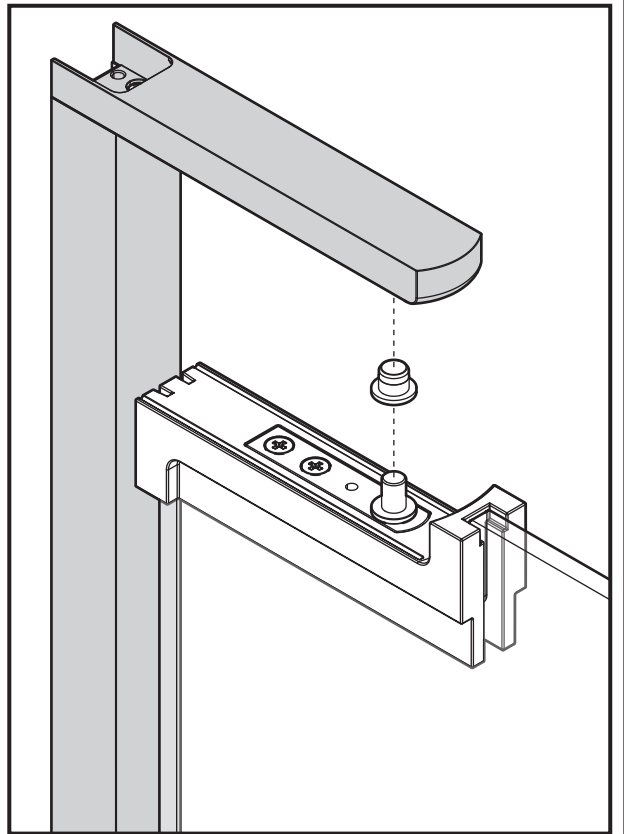
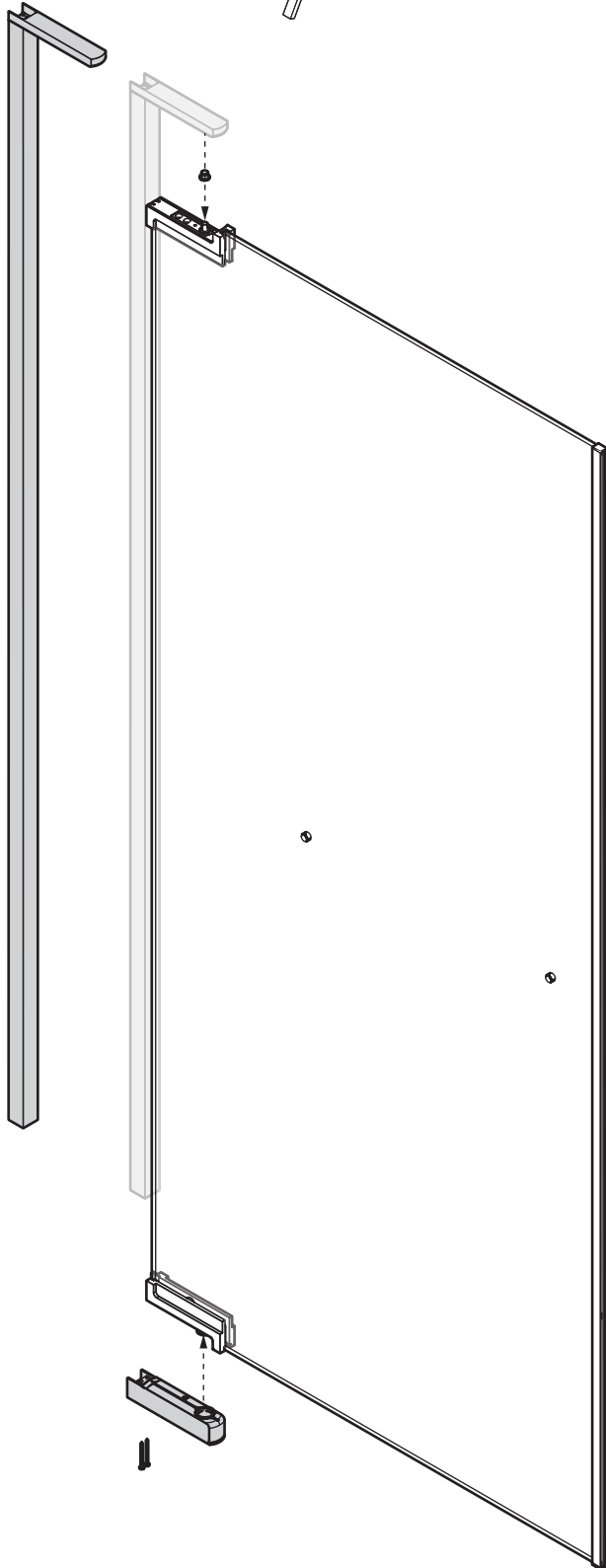
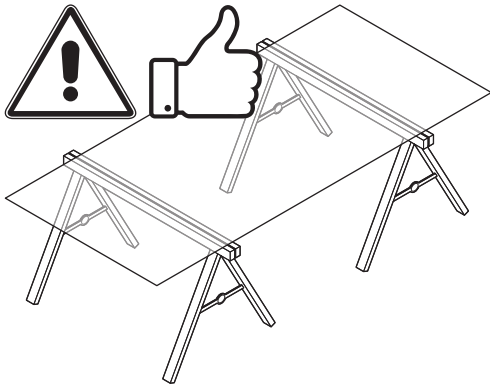


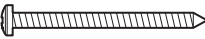
ø8 mm



5

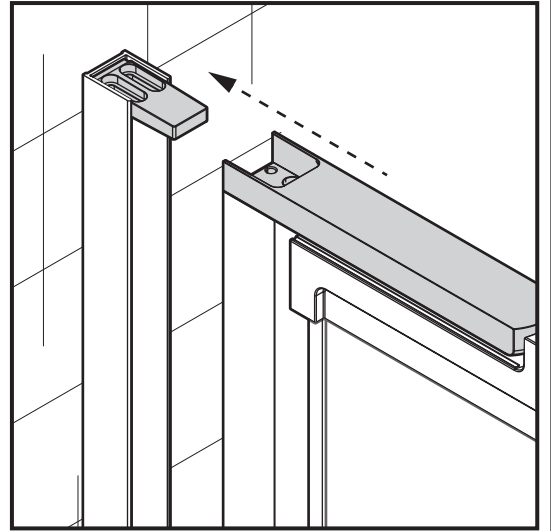
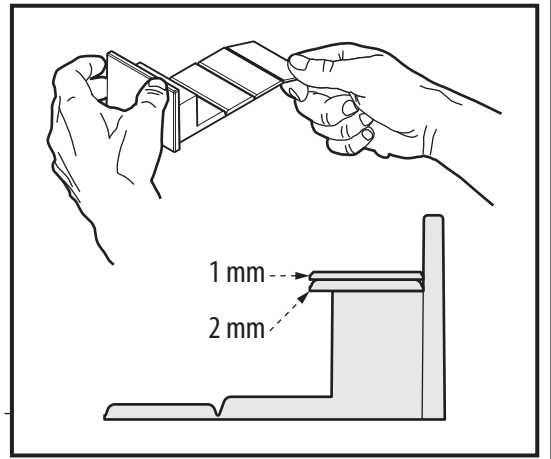
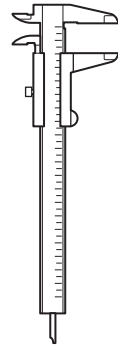
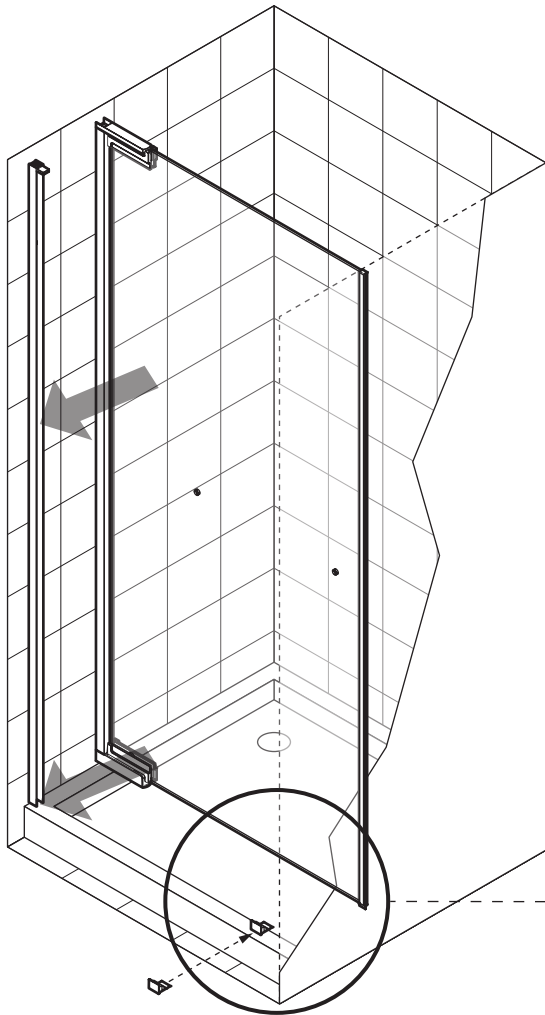
5



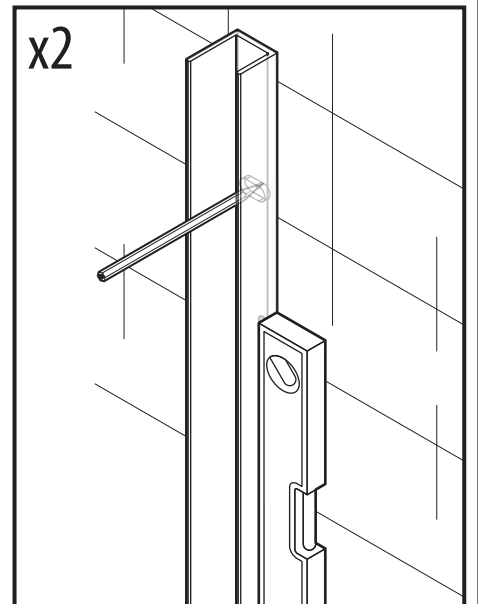
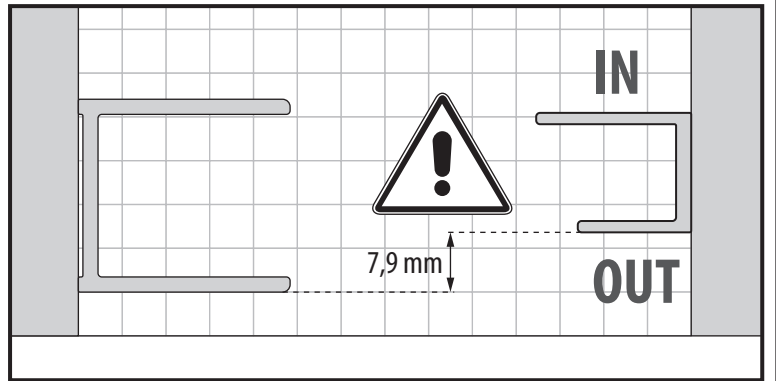
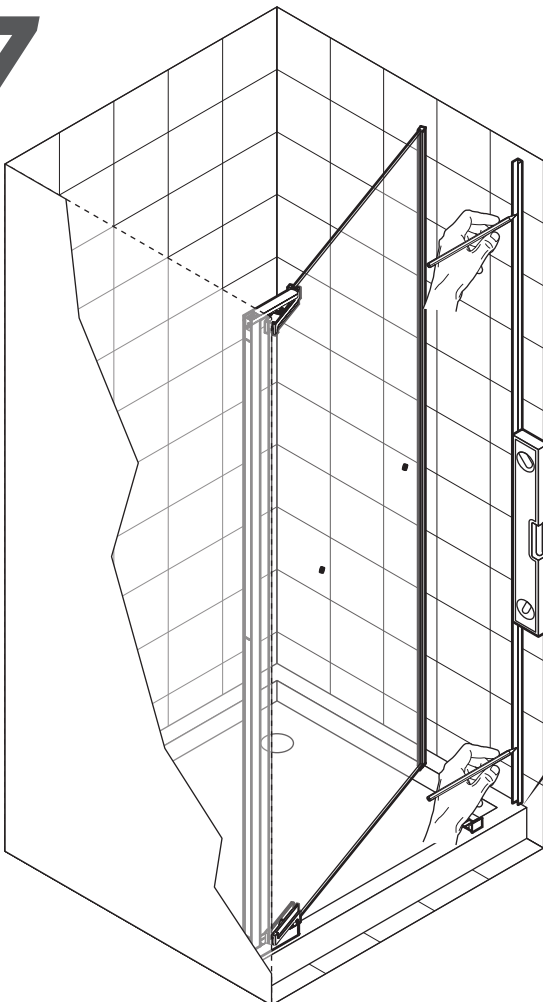

3,5x45 x2

6

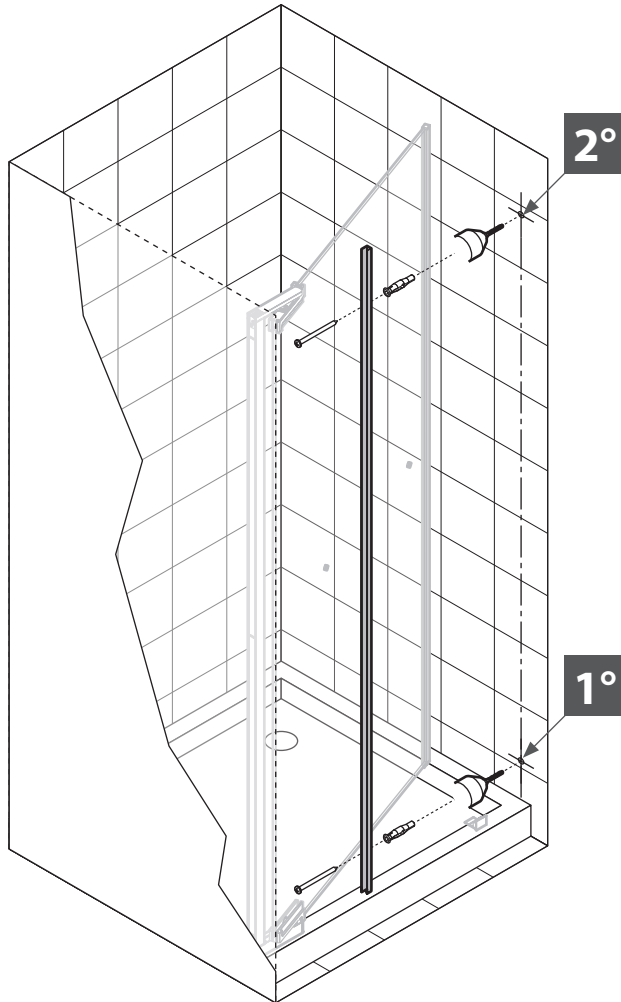
6



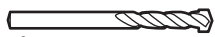


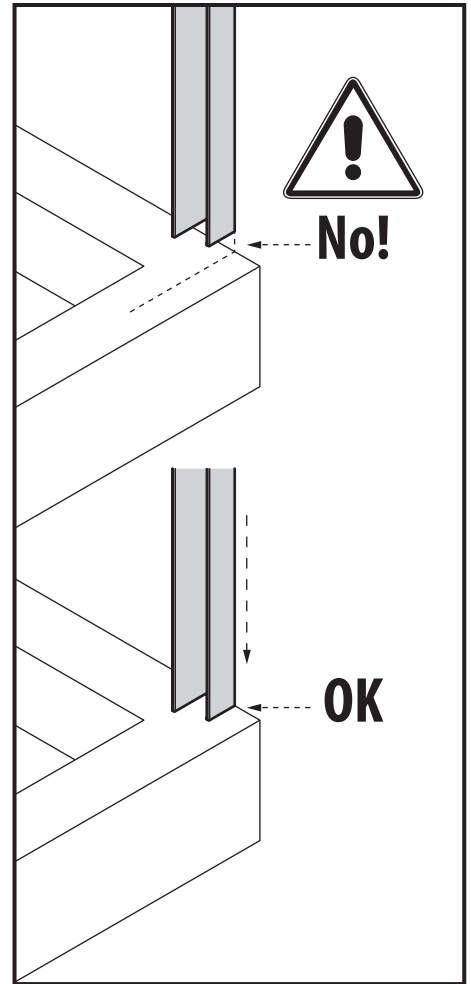
7



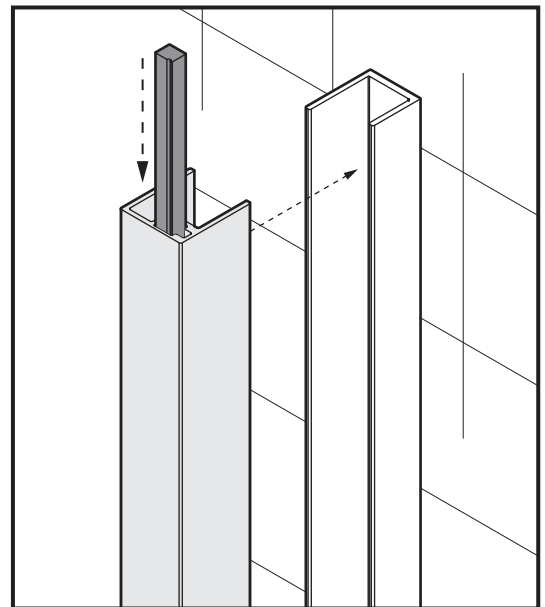
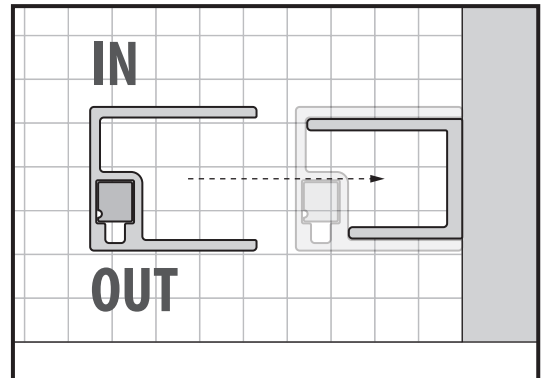
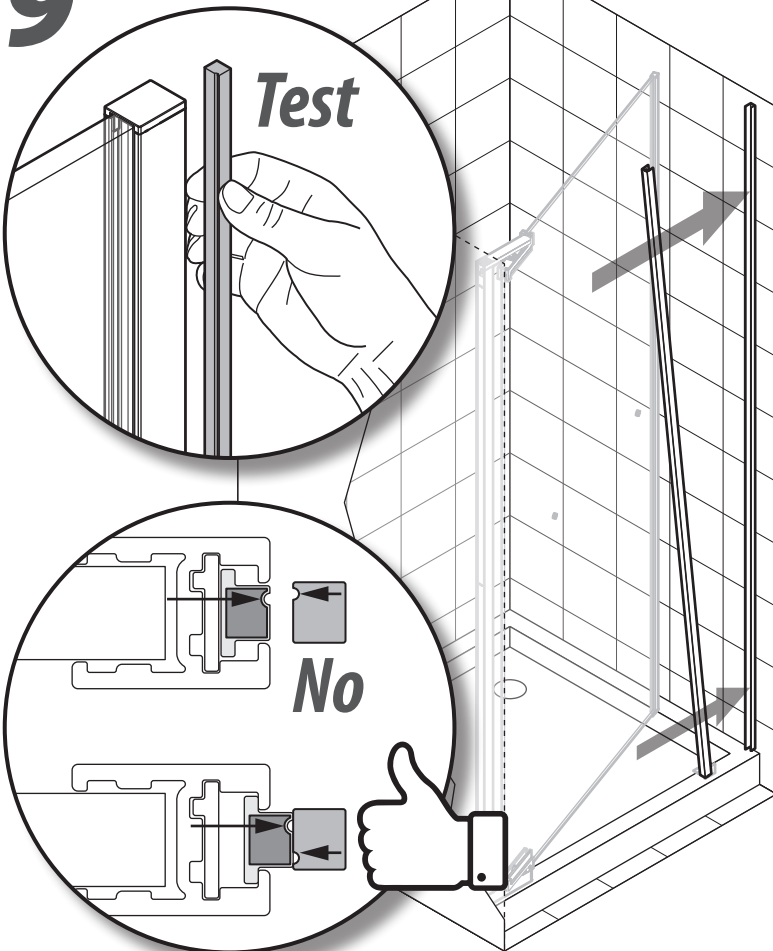
8



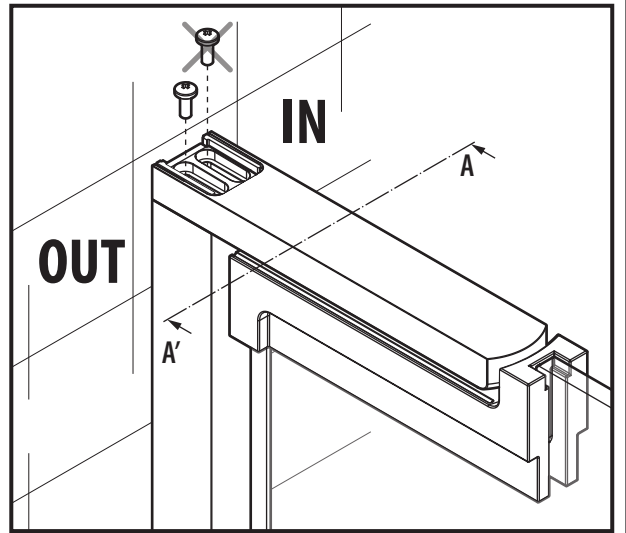
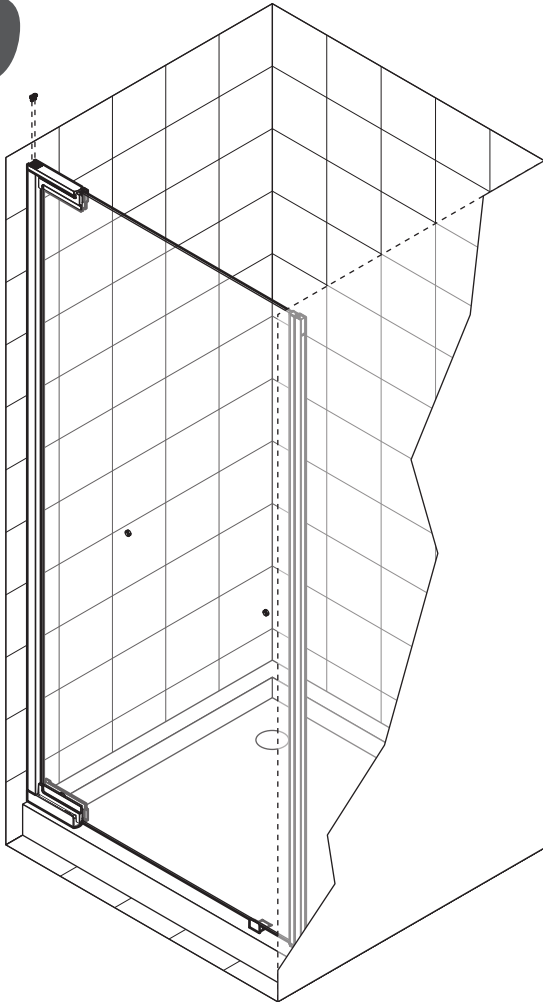
-  FU8x50 x2
-  4,5x60 x2
-  ø8 mm



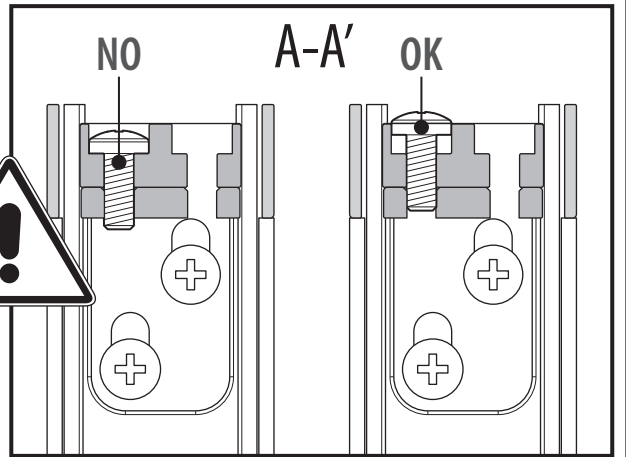
9



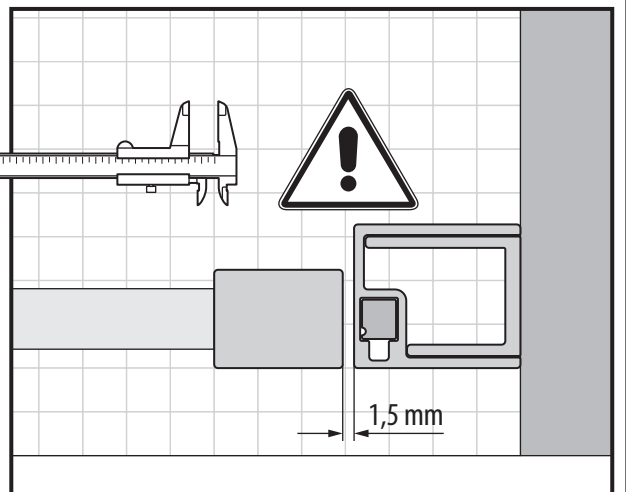
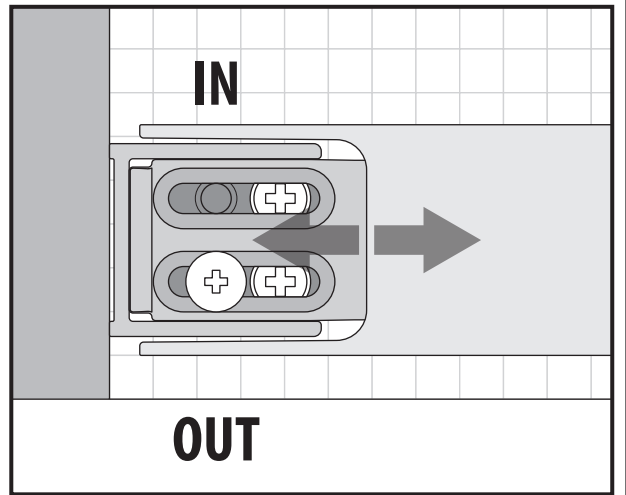
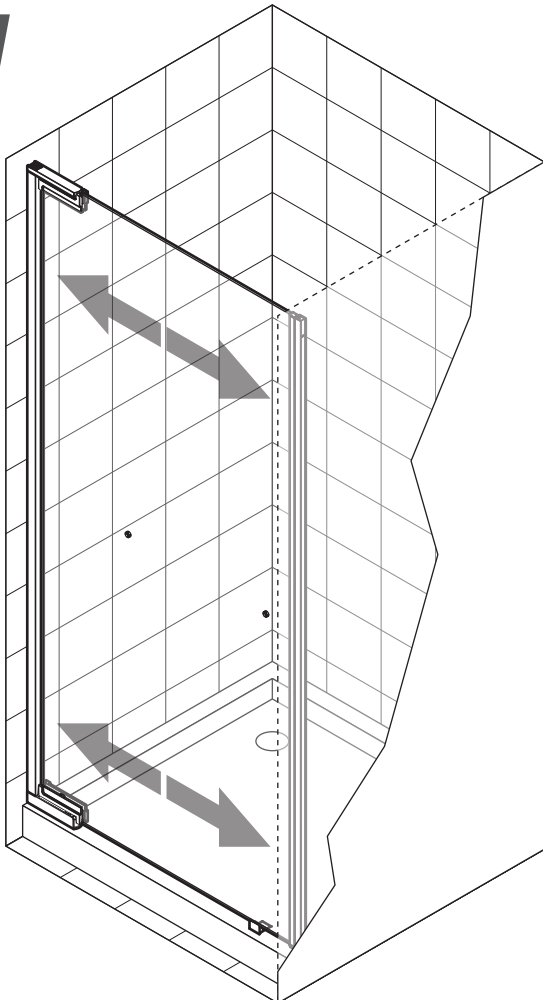
10



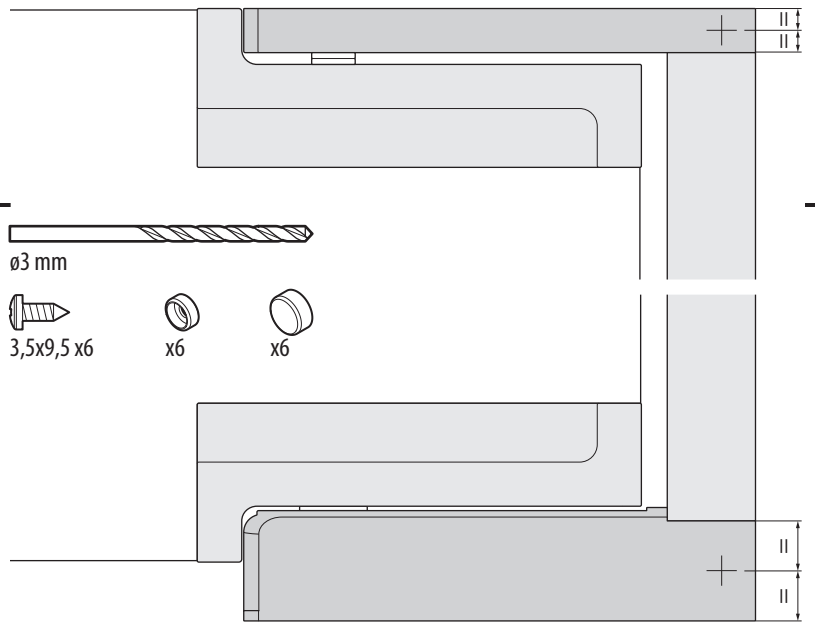
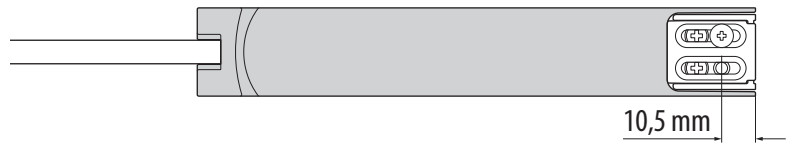
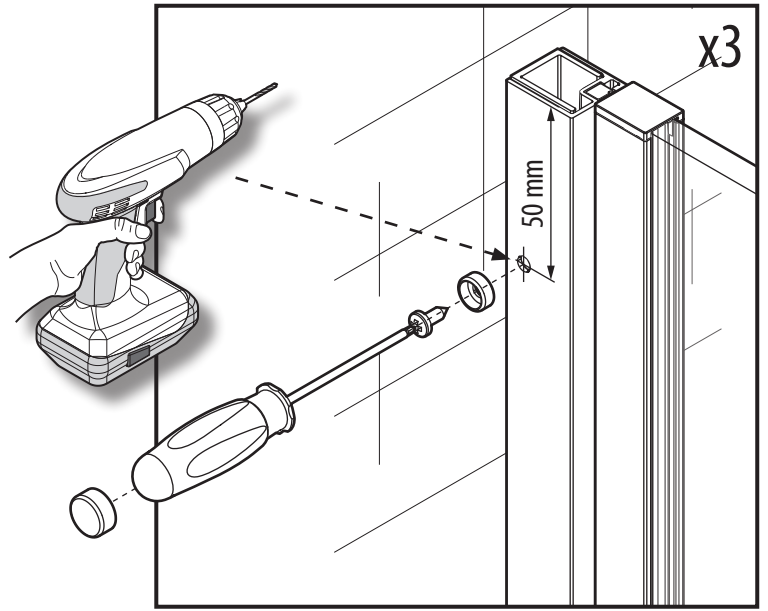
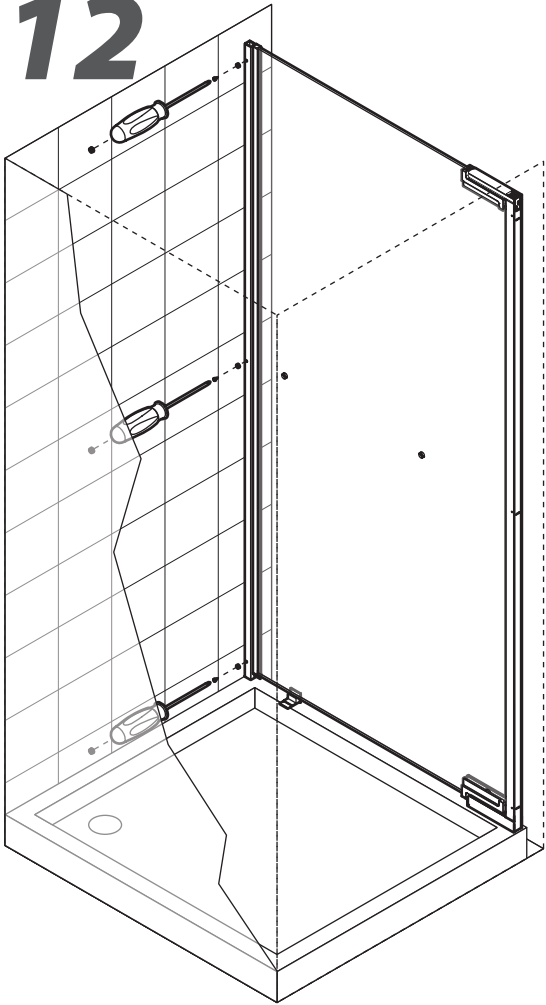
M4x10 x1



11

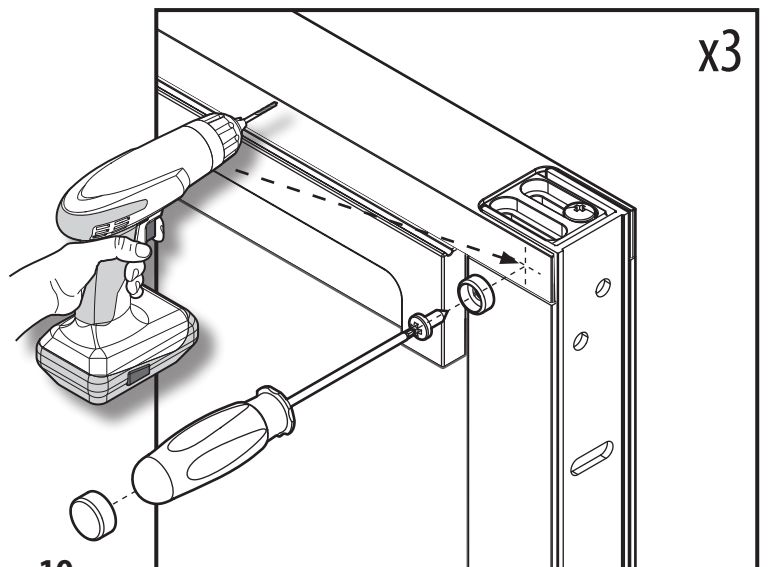
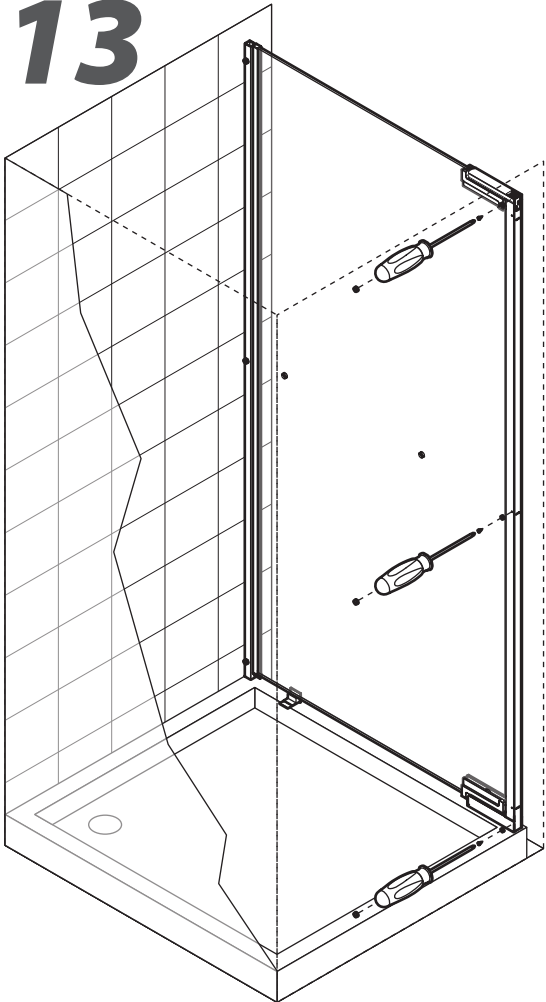


12



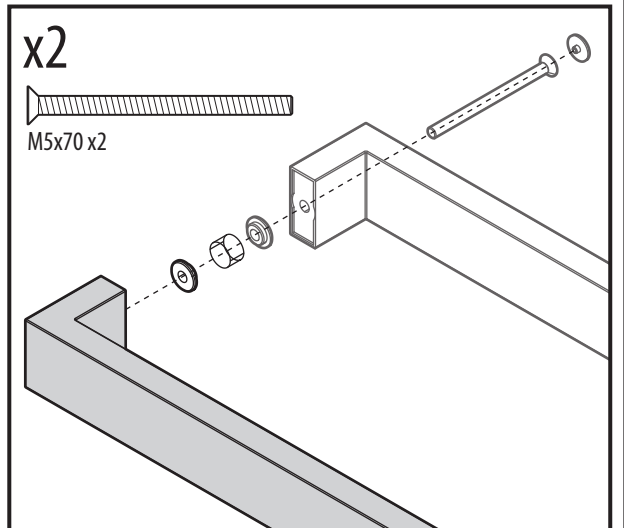
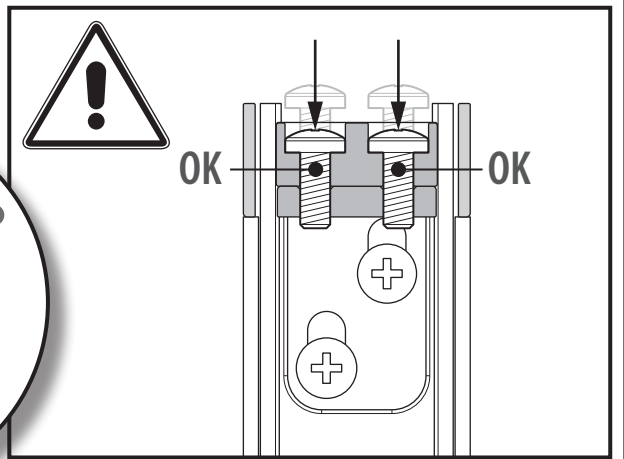
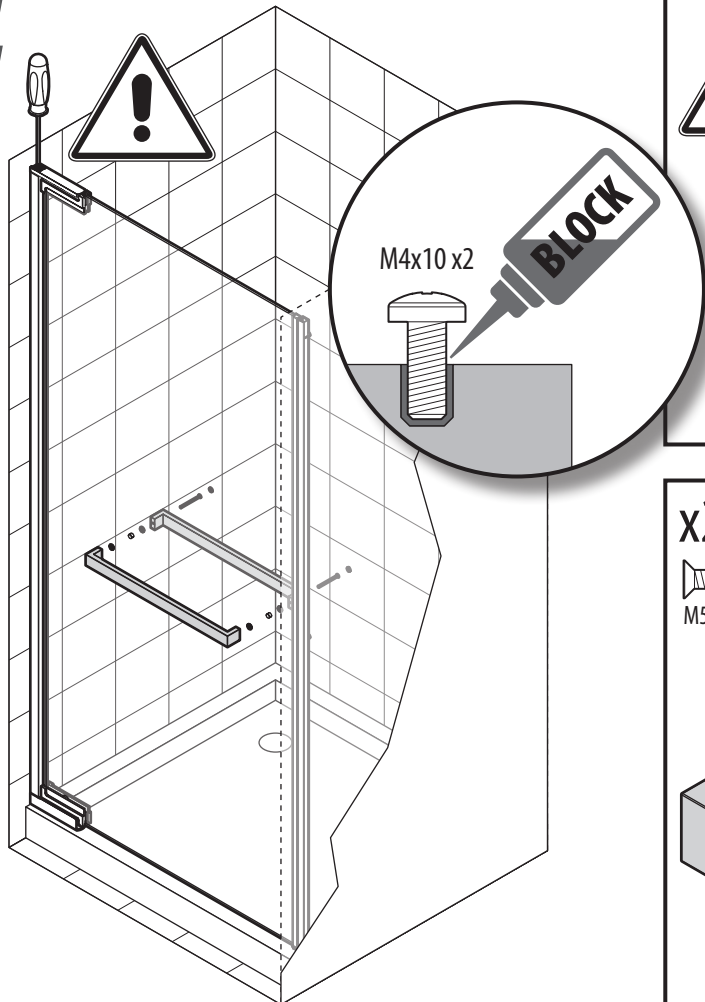
- ø3 mm
- 3,5x9,5 x6
- x6
- x6

13

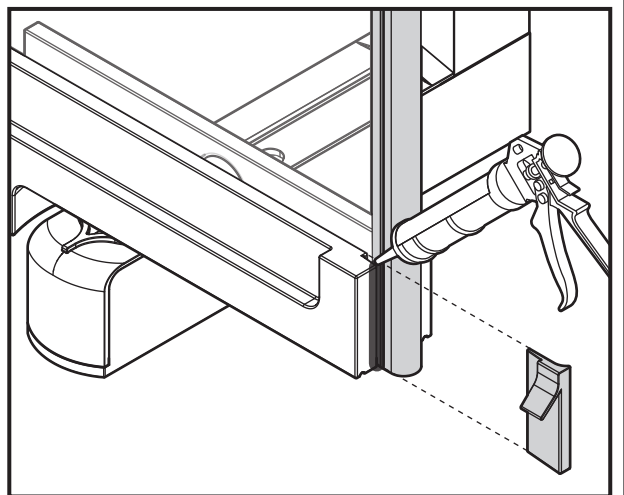
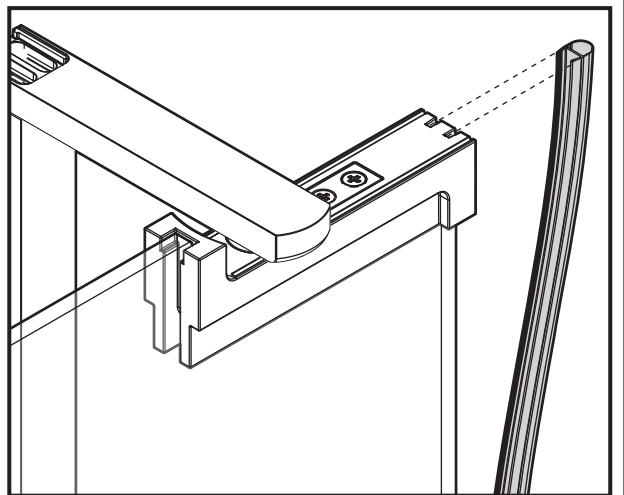
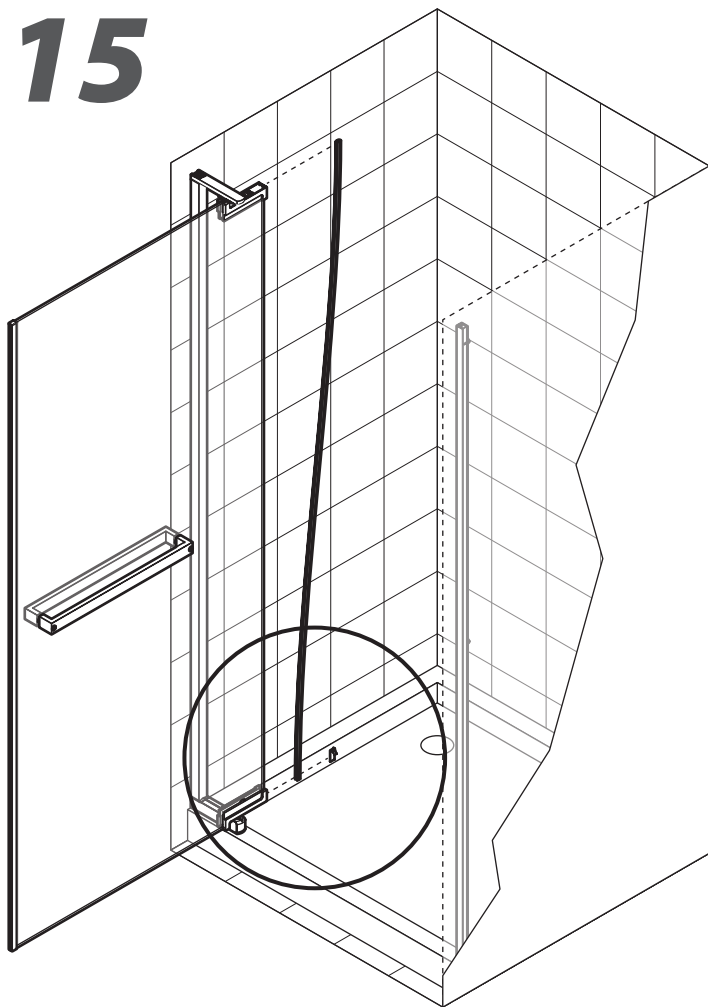


10

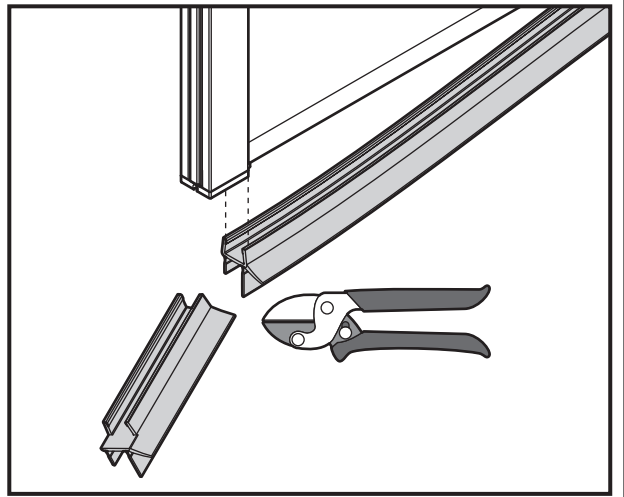
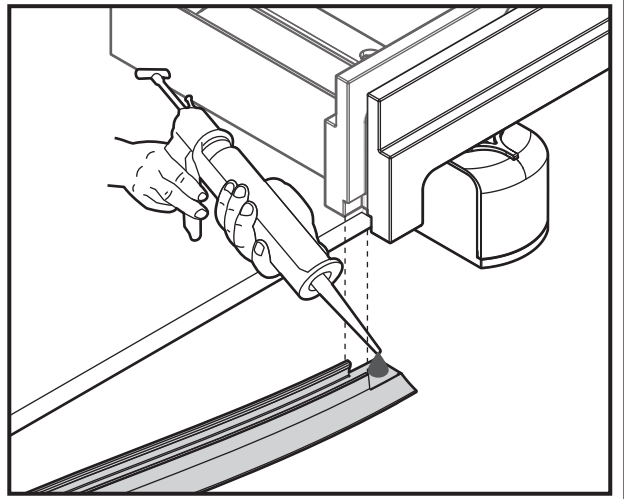
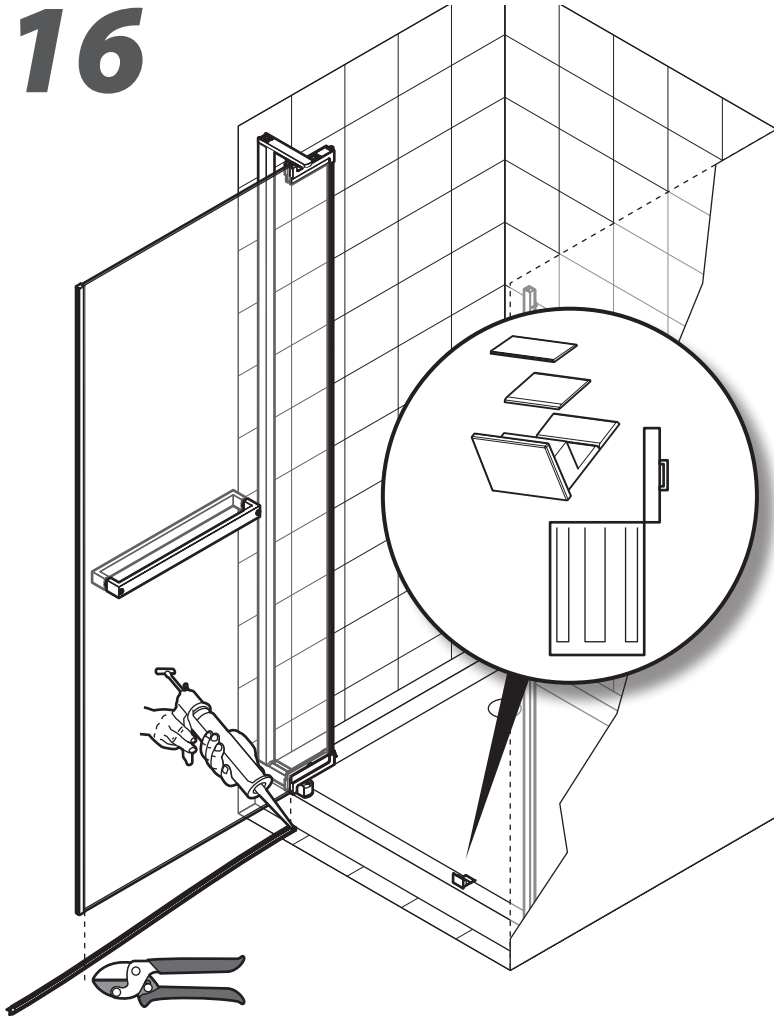
14



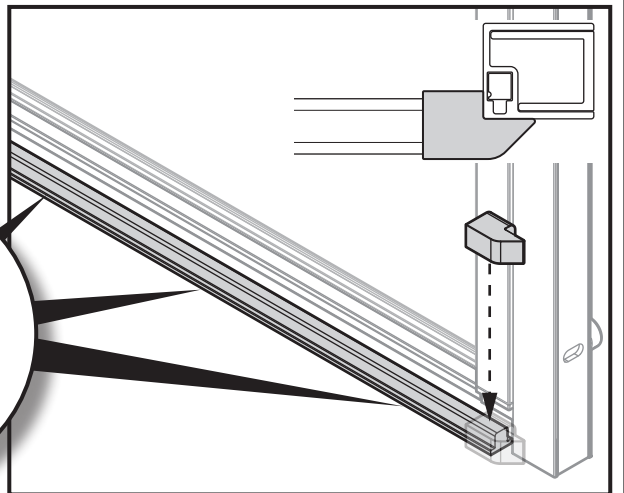
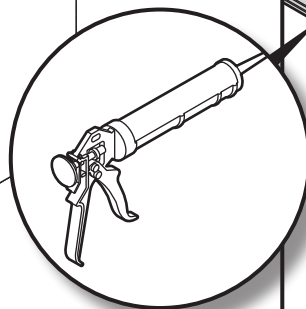
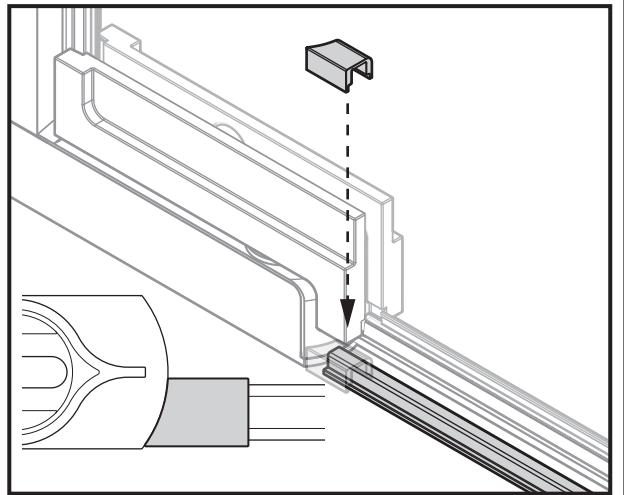
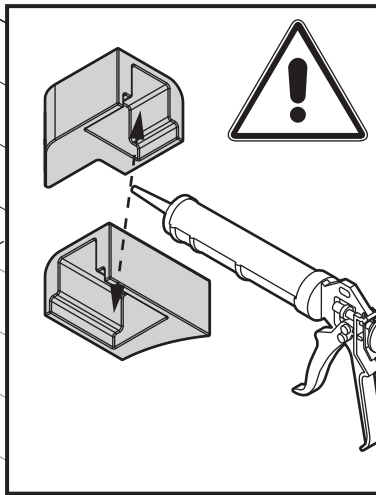
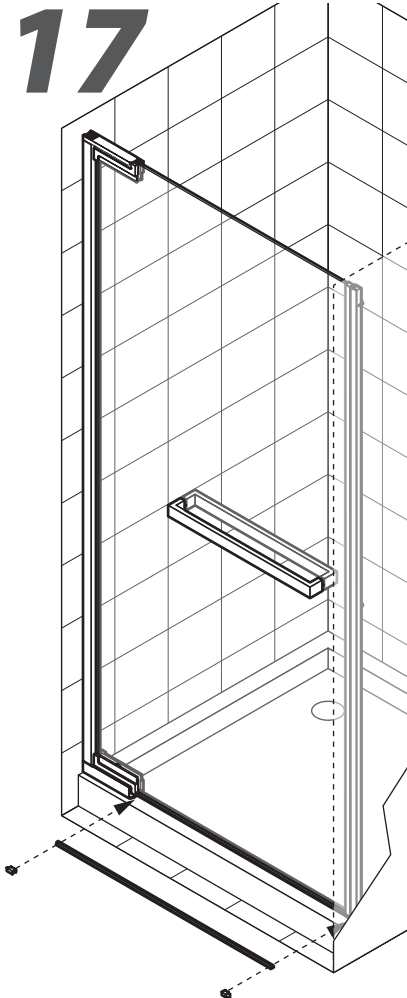
15



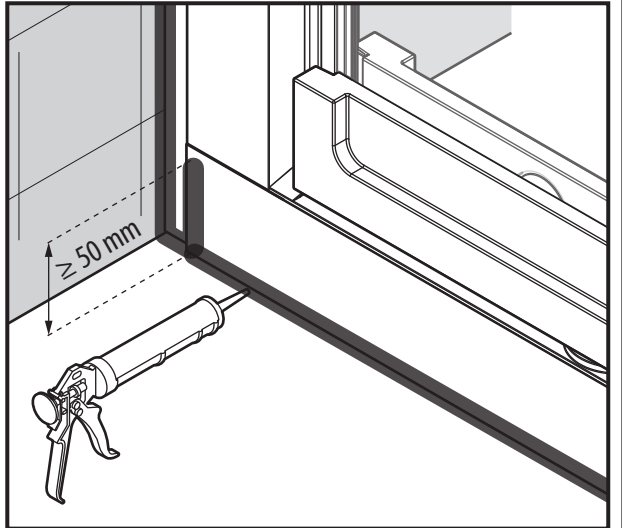
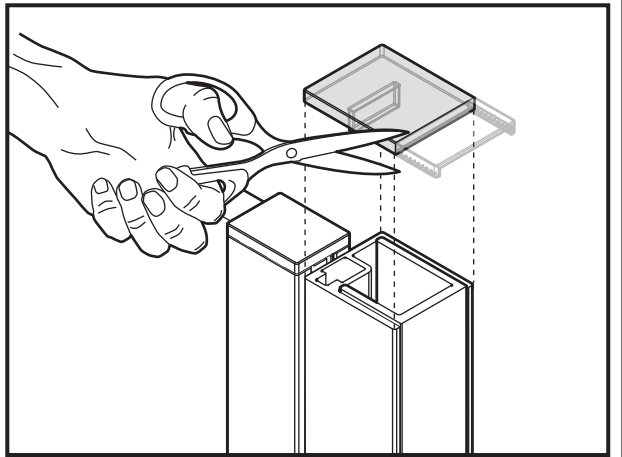
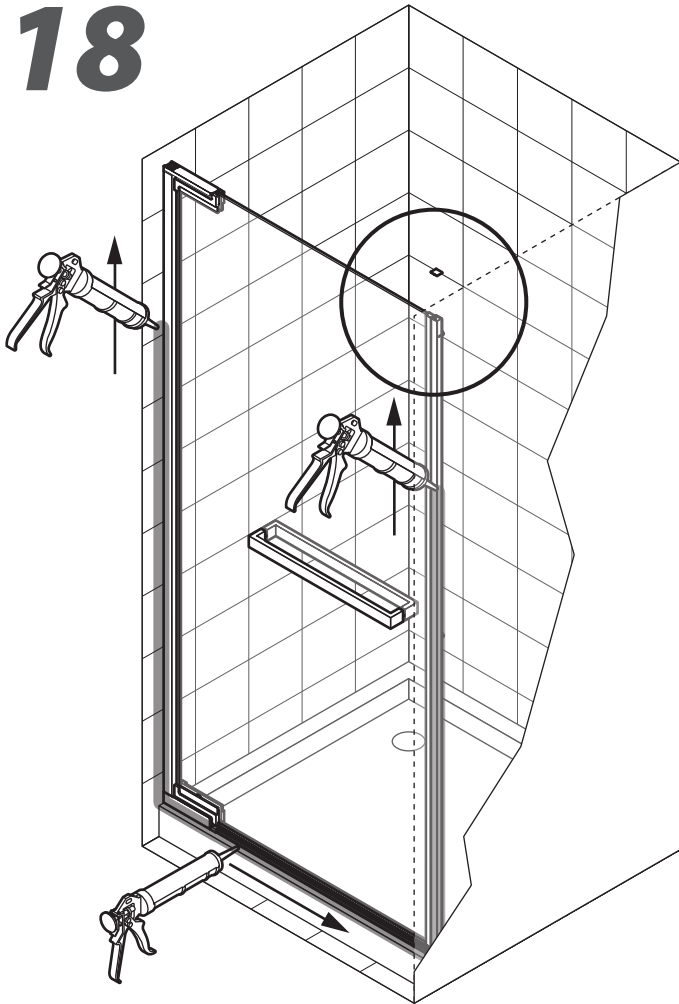
16



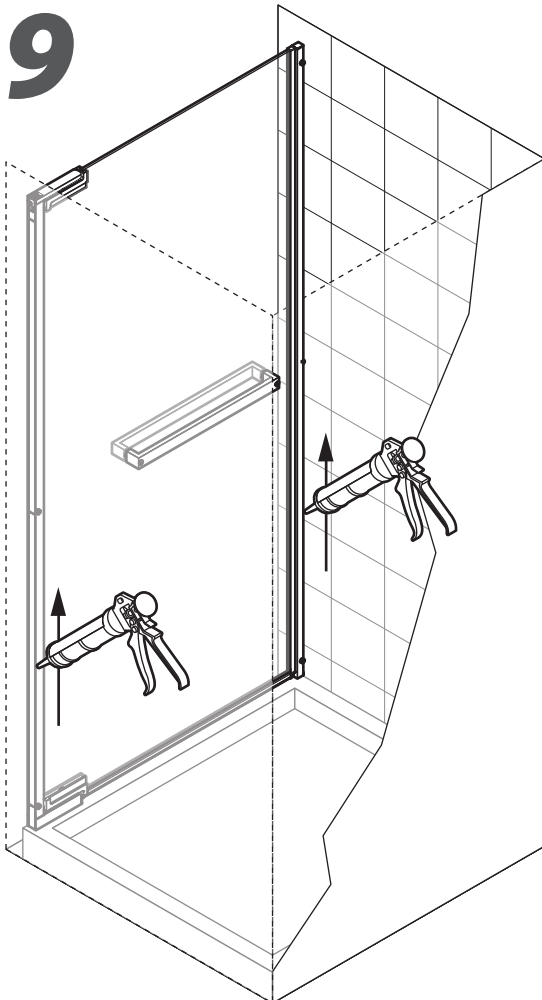
17



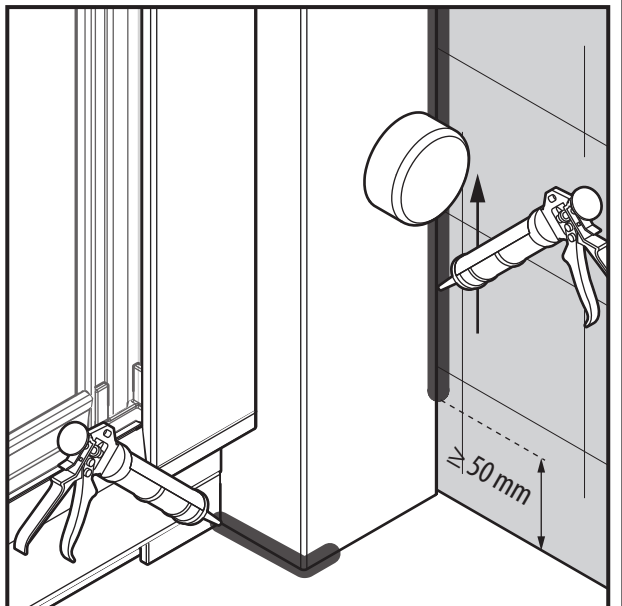
18



19



Optional



20

