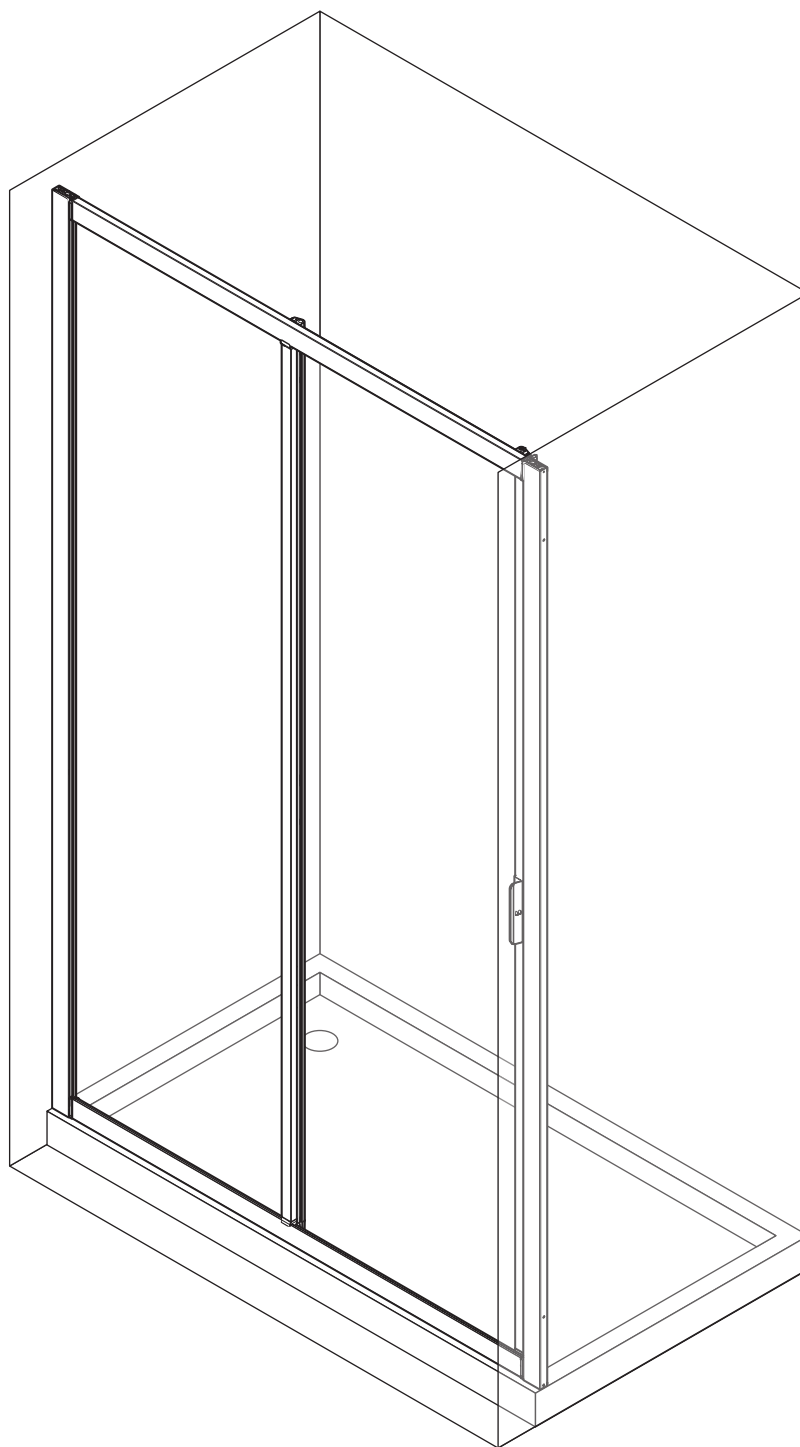


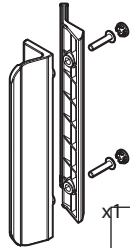
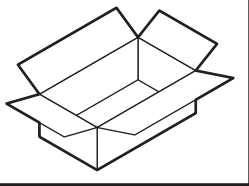
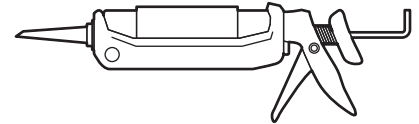
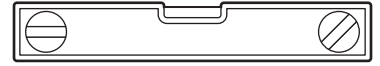
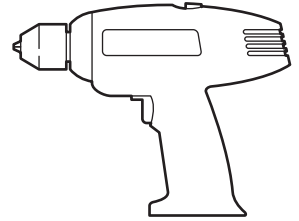
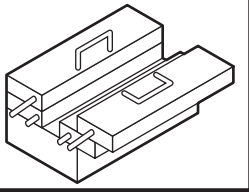
LUNES 2.0

 **NOVELLINI**

2P



| | |
|--|--|
| | |
| | |
| | |
| | |



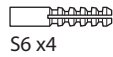
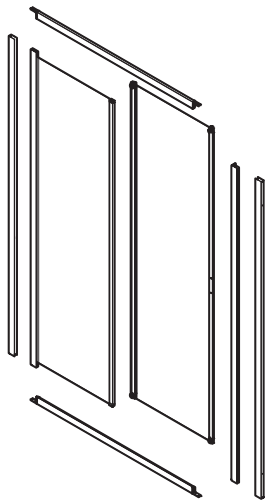
x1



x1



x4



S6 x4



3,5x9,5 x4



4x35 x4



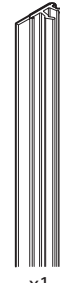
3,5x32 x4



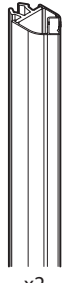
x4



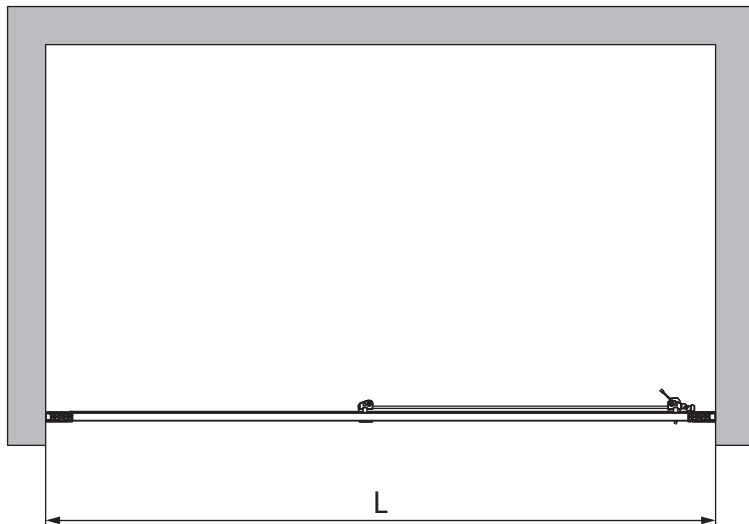
x1



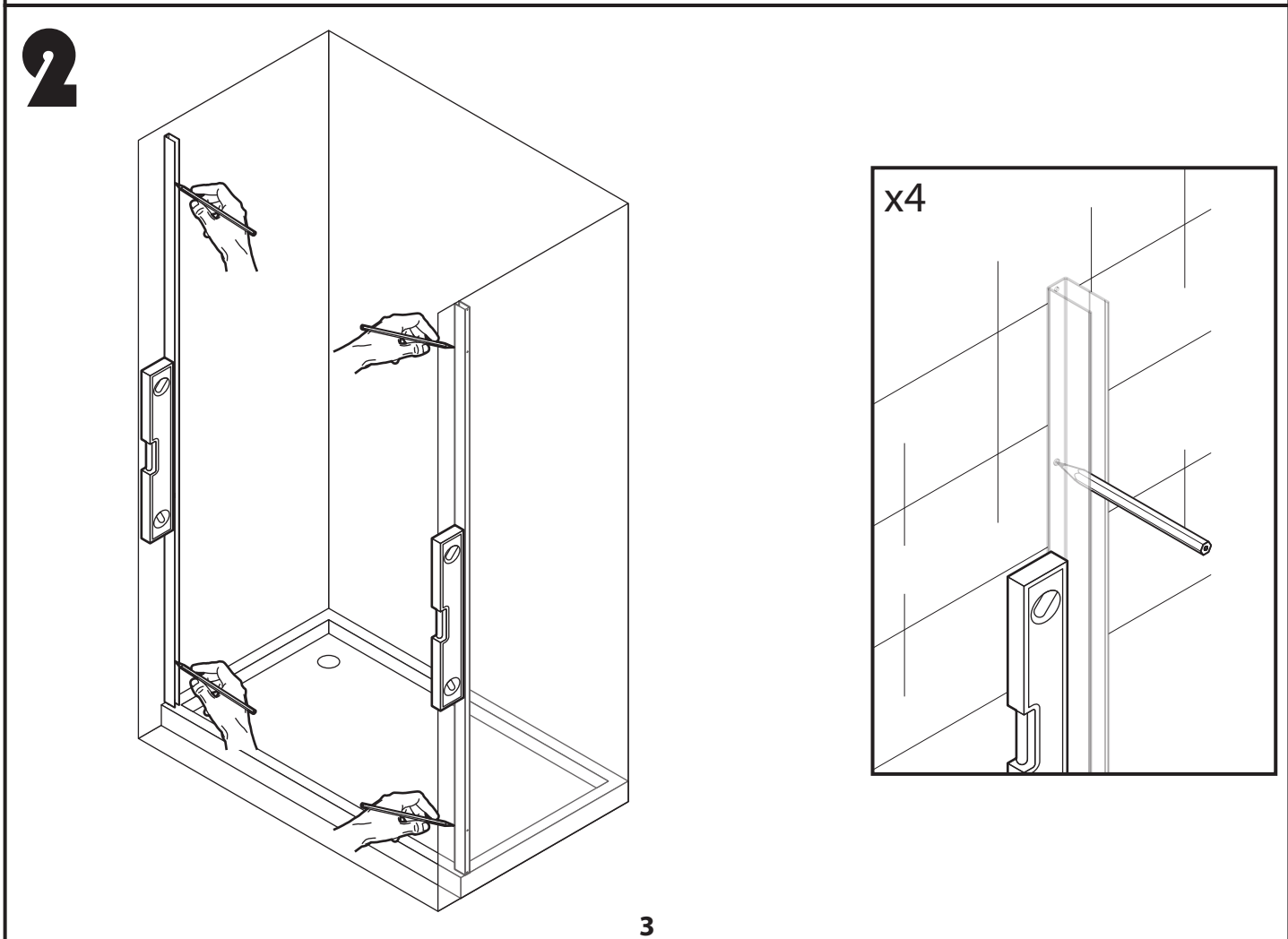
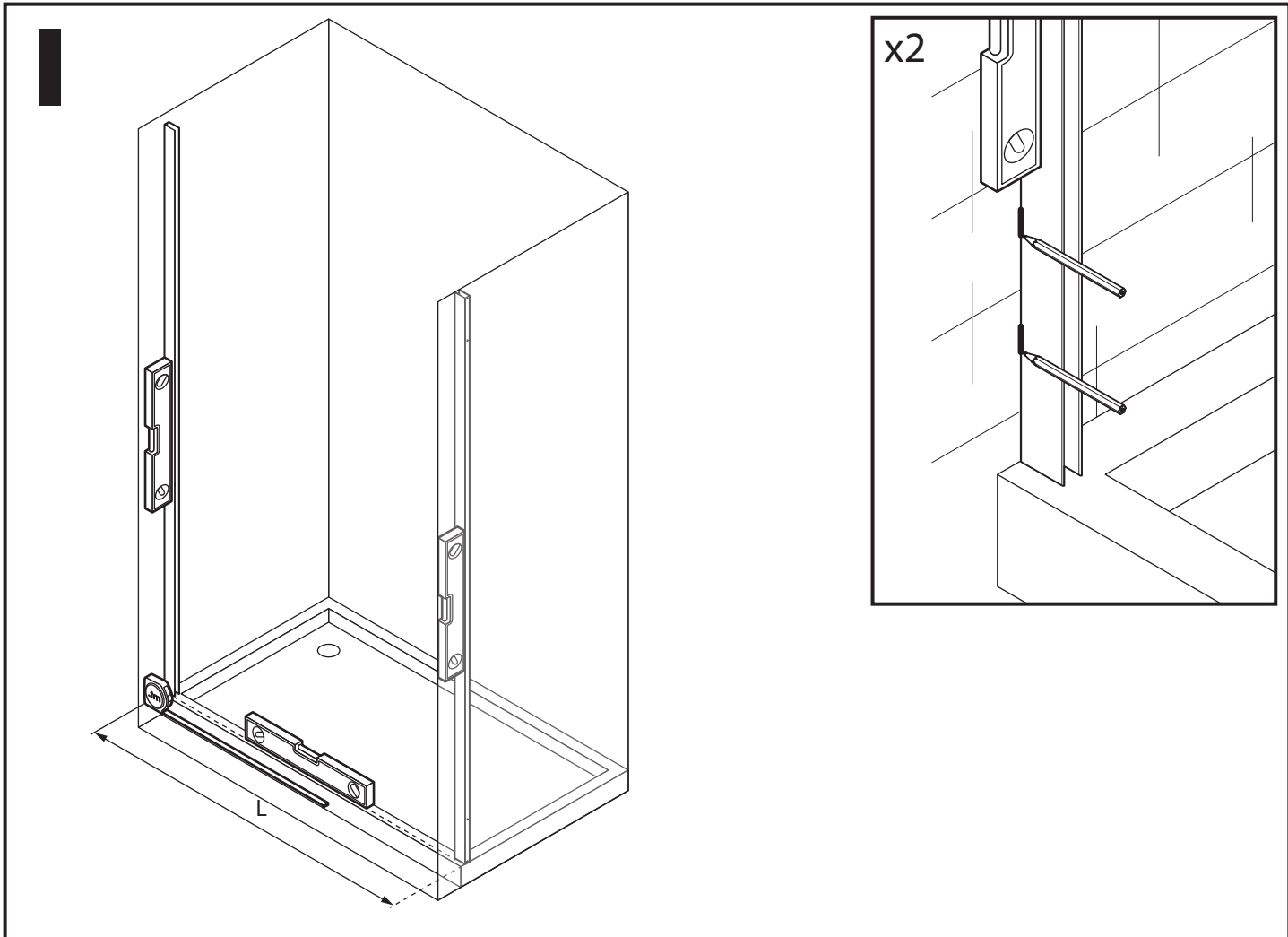
x1



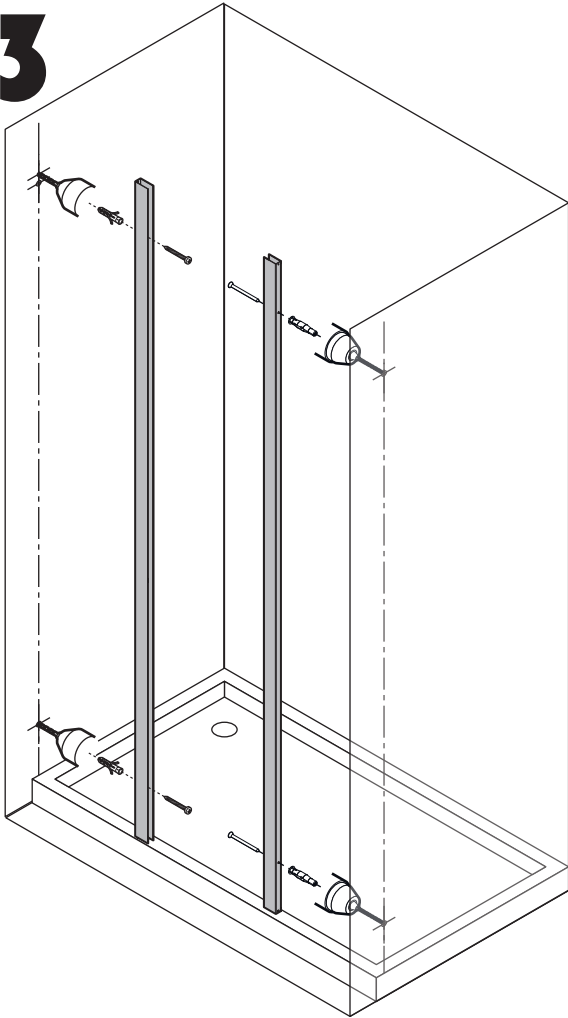
x2



| 2P | L cm |
|-----|---------|
| 96 | 96-102 |
| 102 | 102-108 |
| 108 | 108-114 |
| 114 | 114-120 |
| 120 | 120-126 |
| 126 | 126-132 |
| 132 | 132-138 |
| 138 | 138-144 |
| 144 | 144-150 |
| 150 | 150-156 |
| 156 | 156-162 |
| 168 | 168-174 |
| 174 | 174-180 |



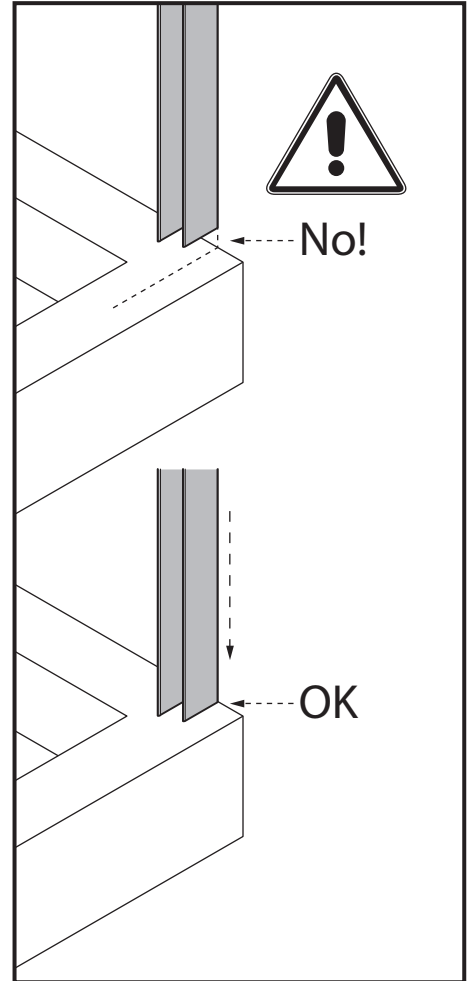
3



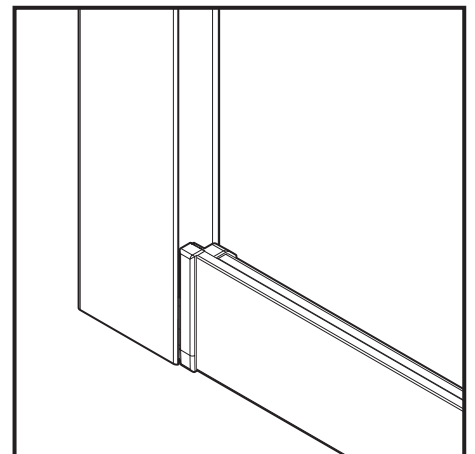
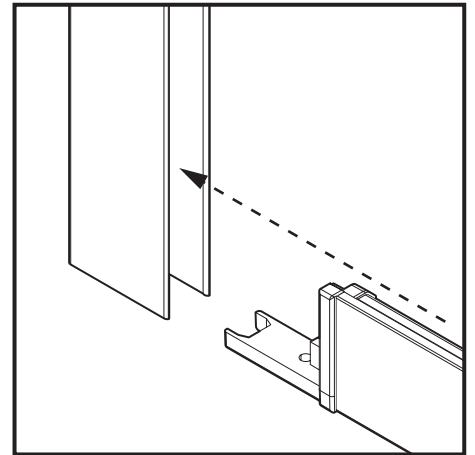
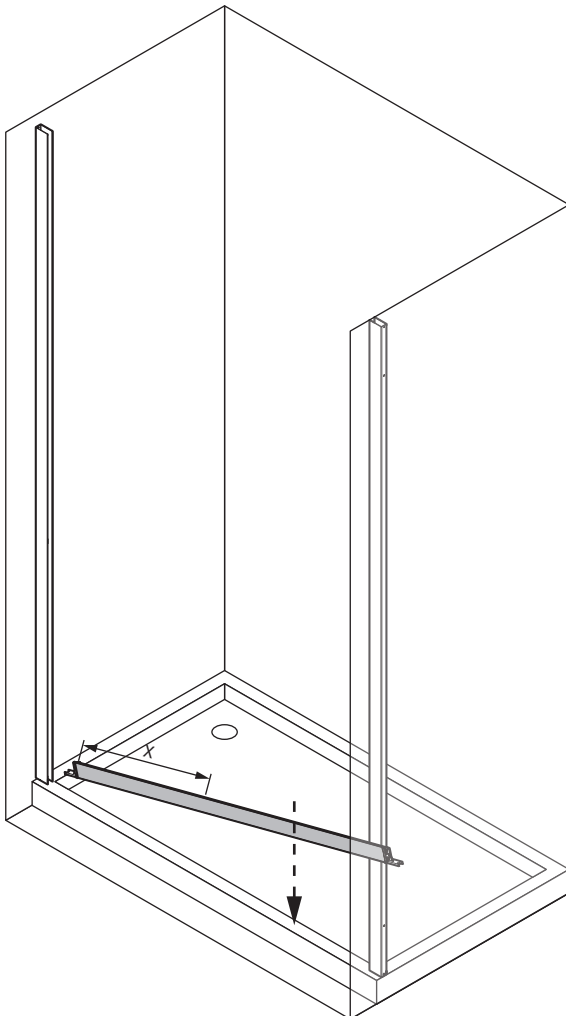
 4x35 x4

 56 x4

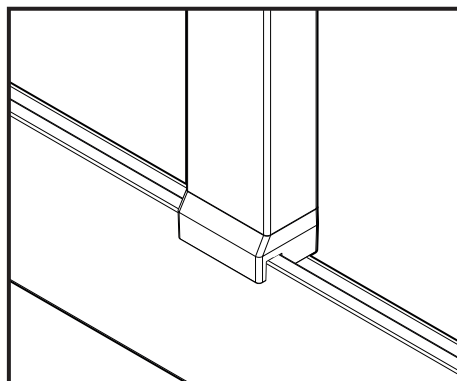
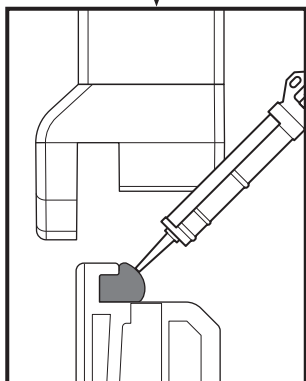
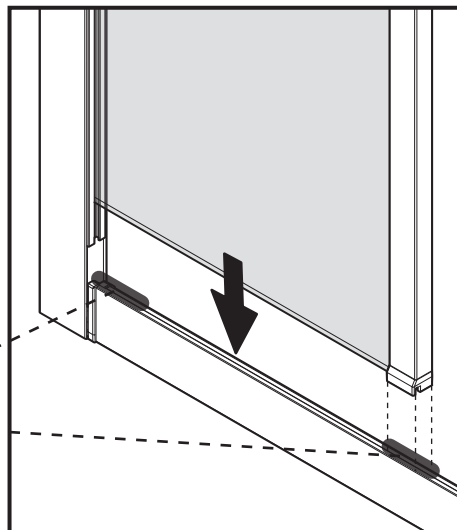
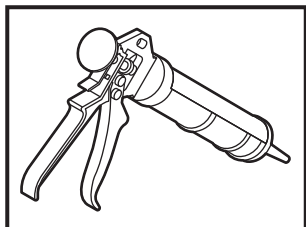
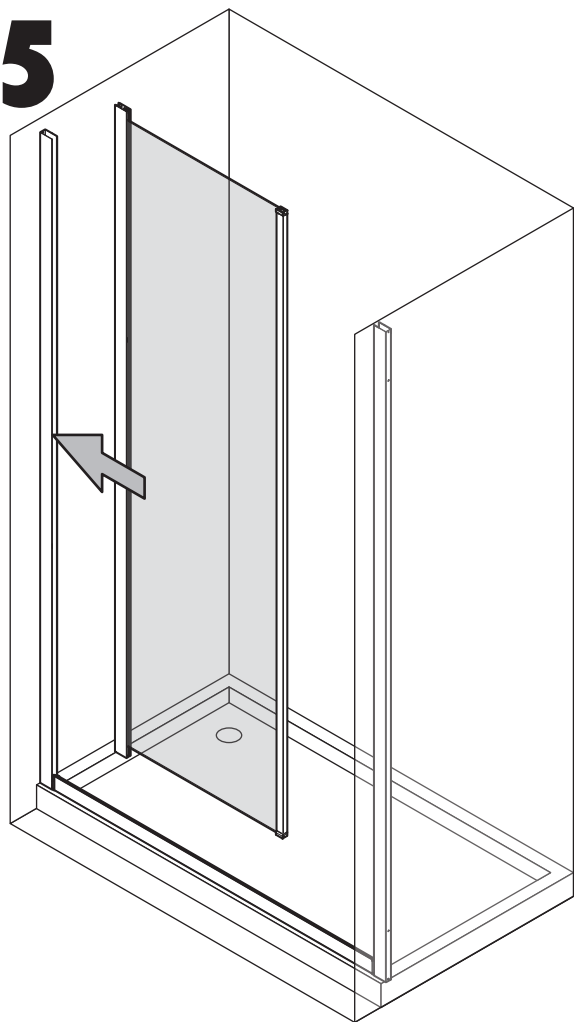
 $\varnothing 6$ mm



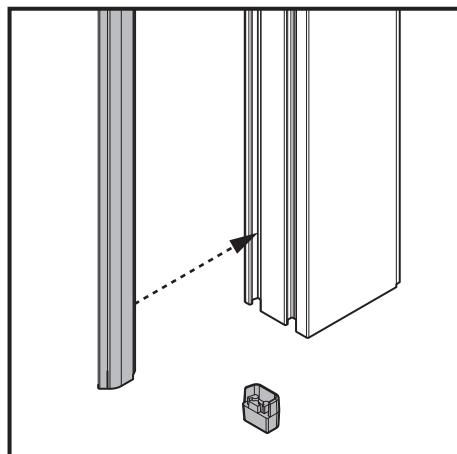
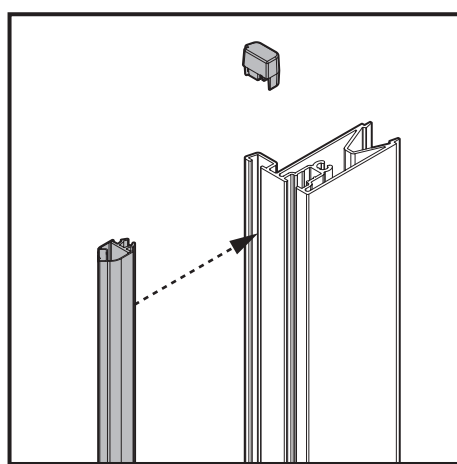
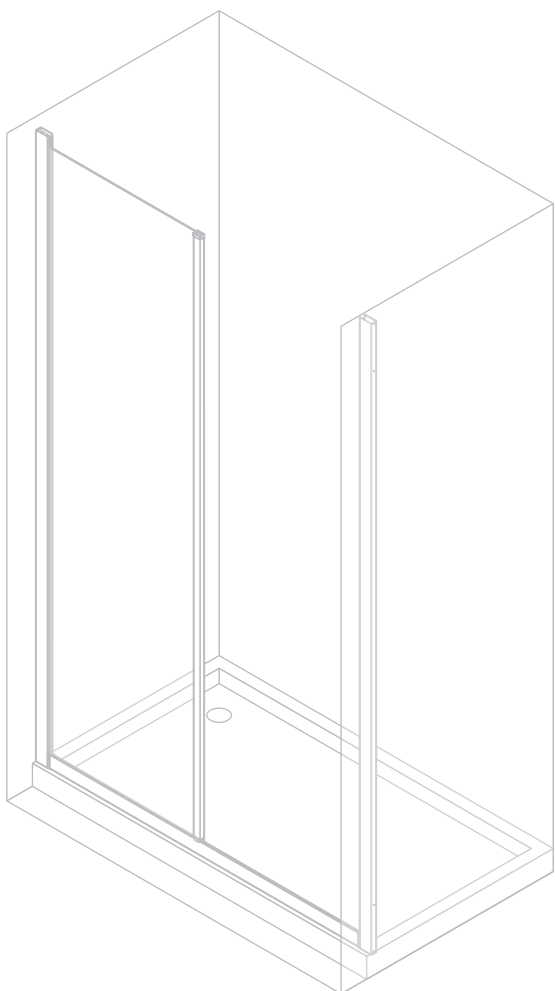
4



5

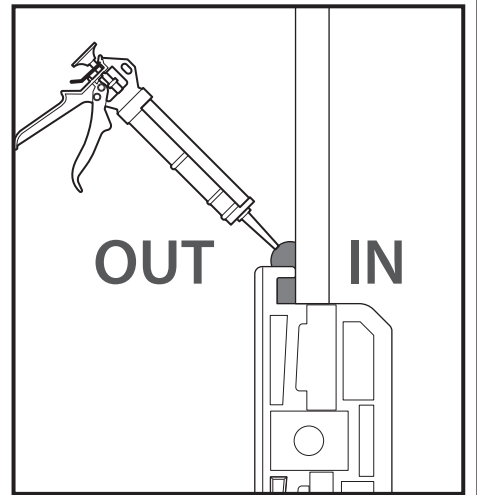
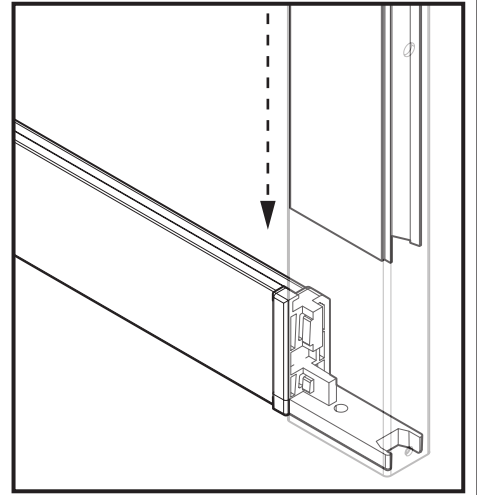
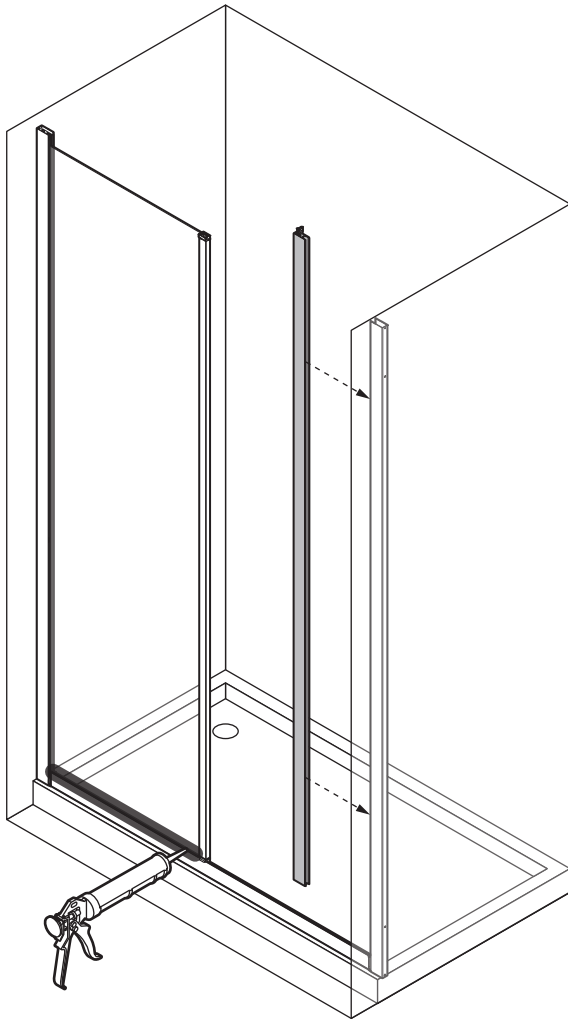


6

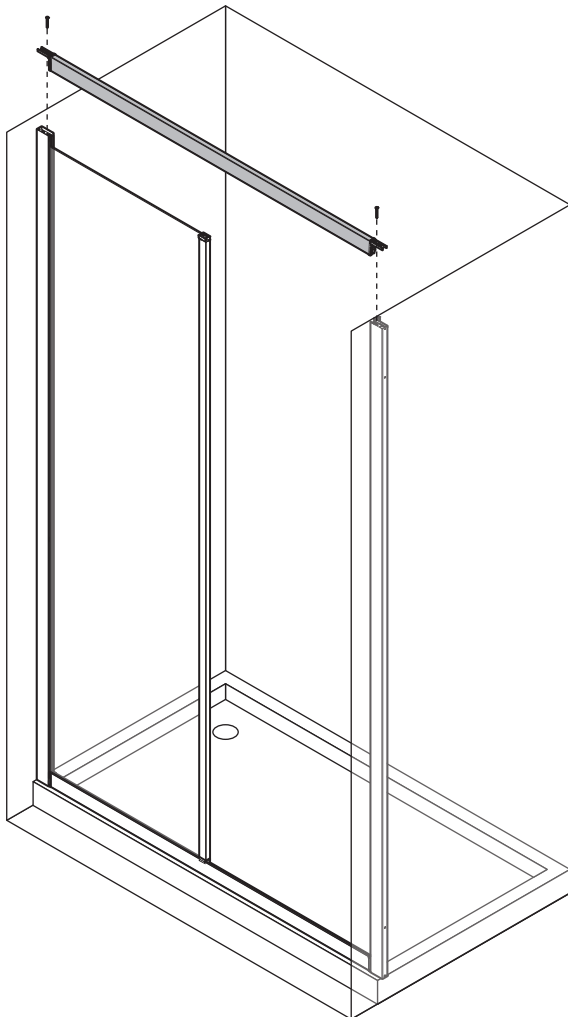


5

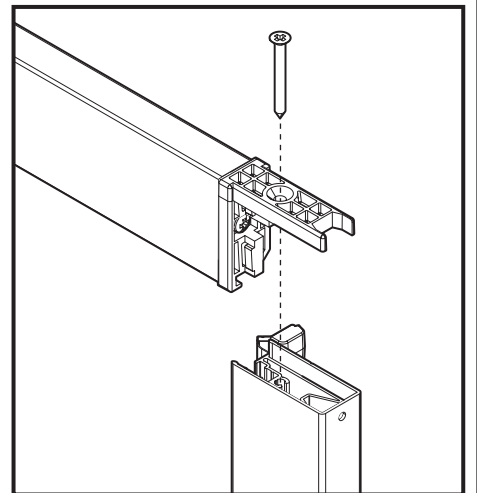
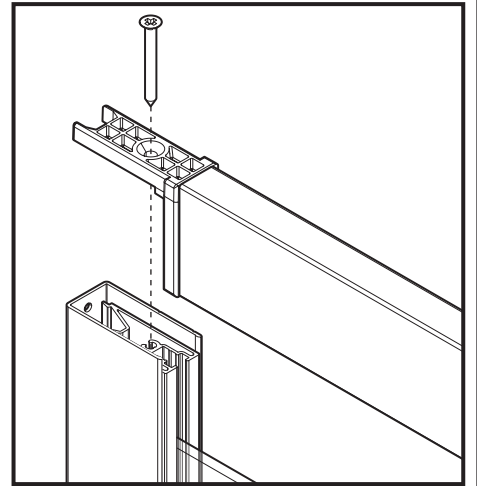
7



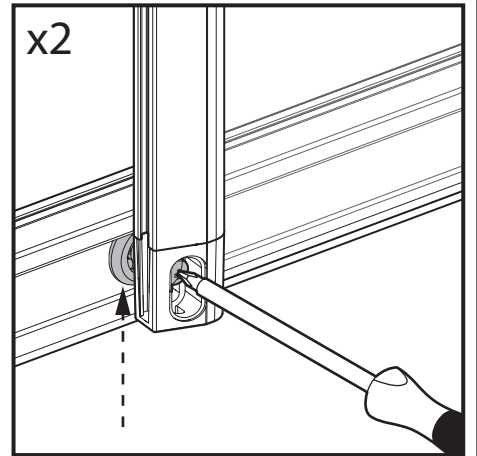
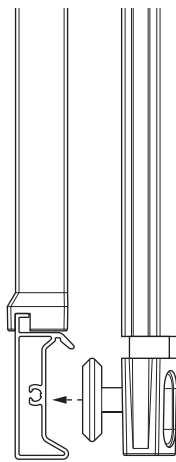
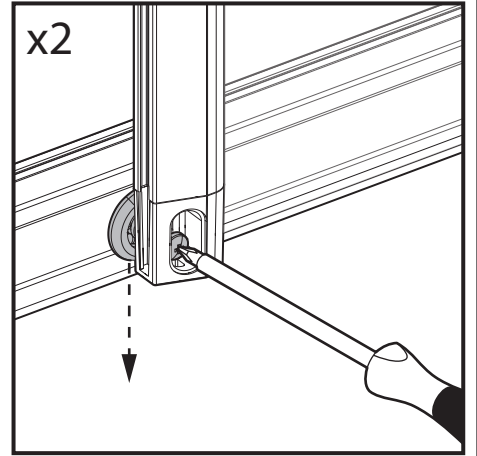
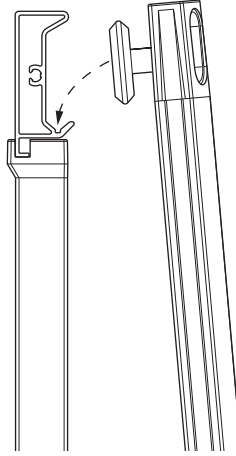
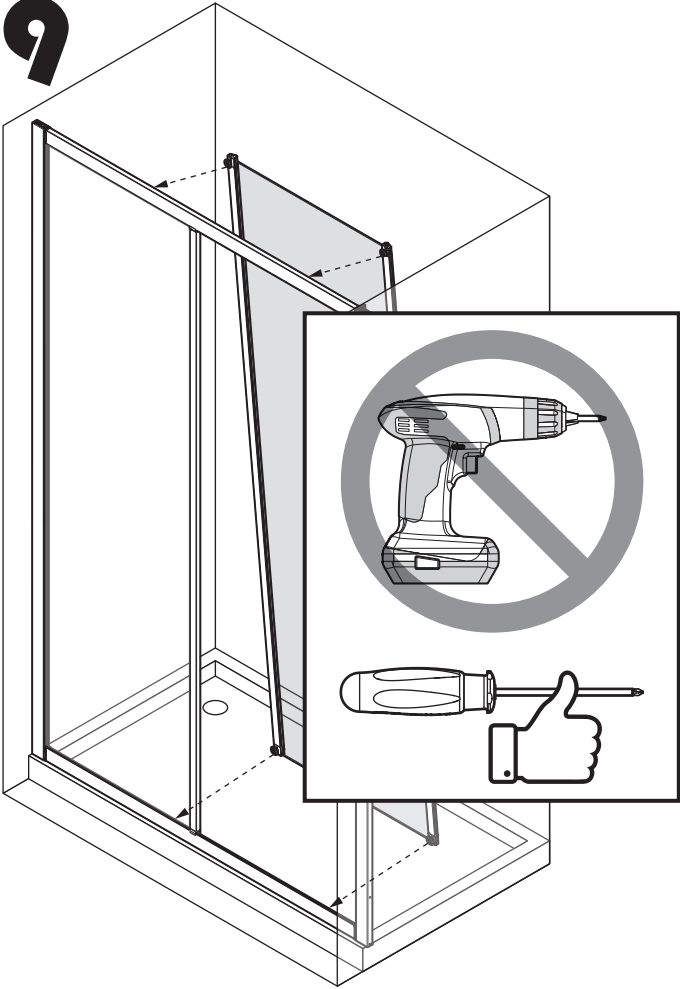
8



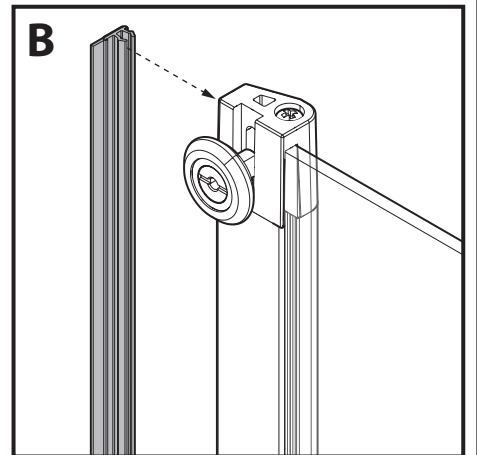
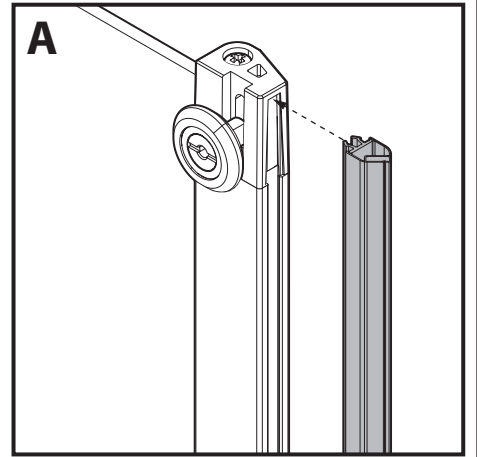
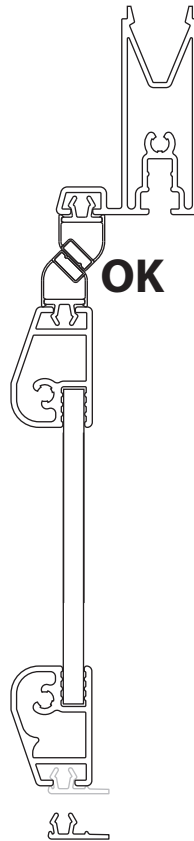
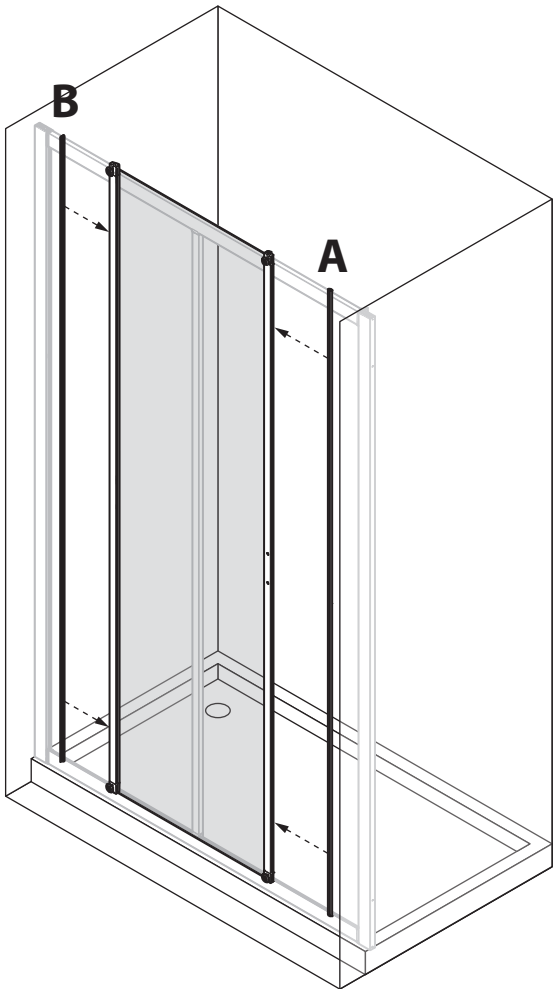
3,5x32 n.2

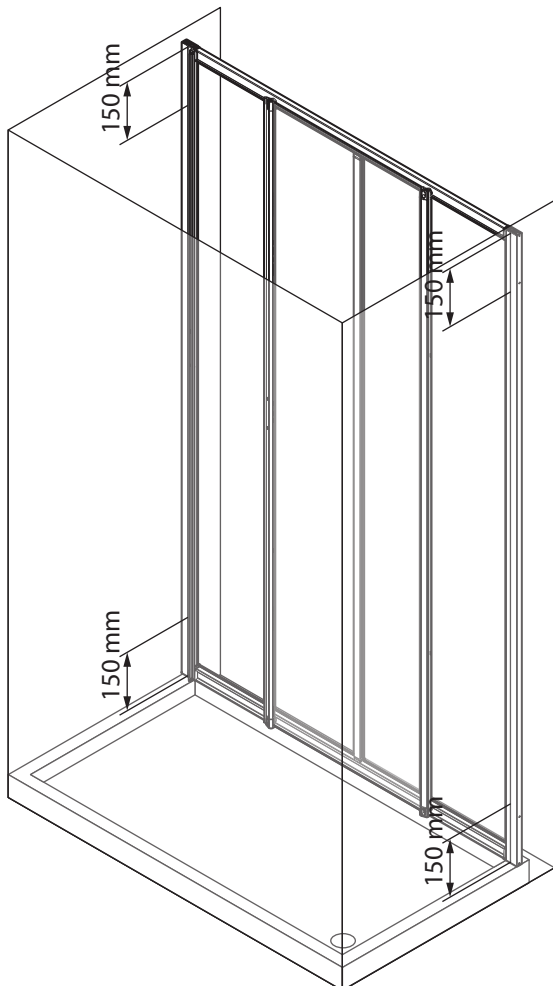


9



10

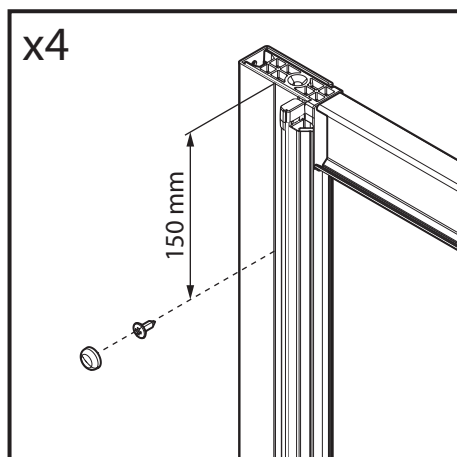
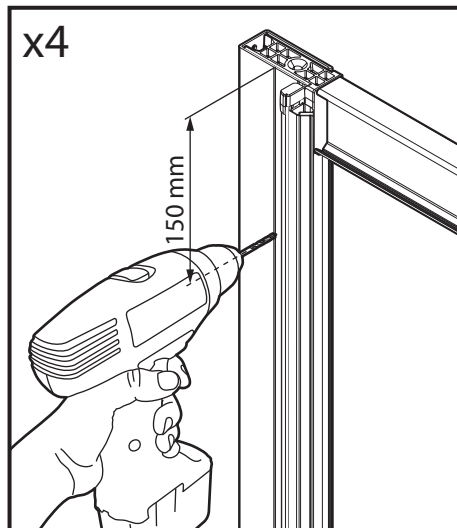




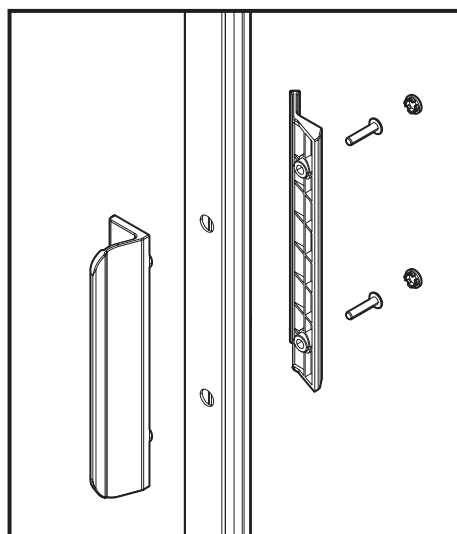
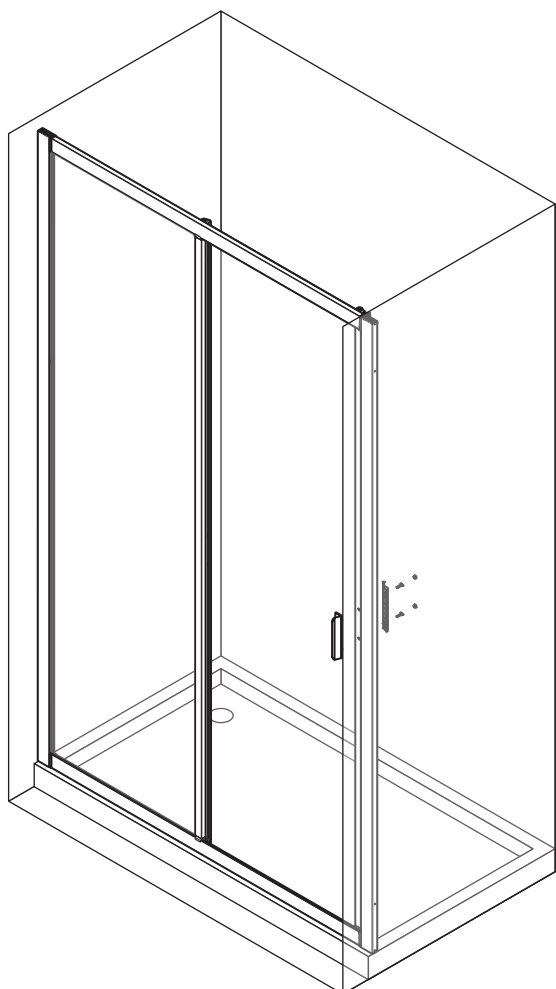
3,5x9,5 n.4



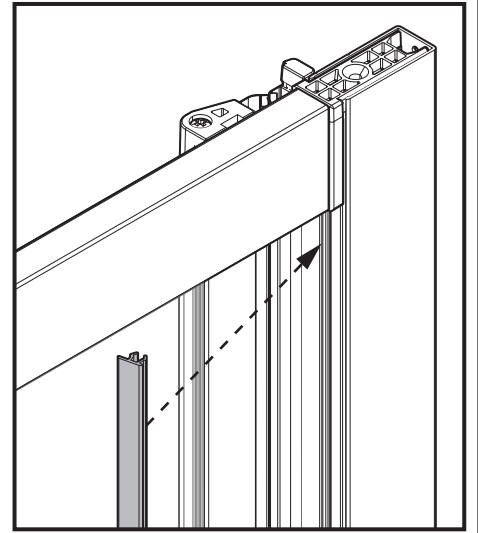
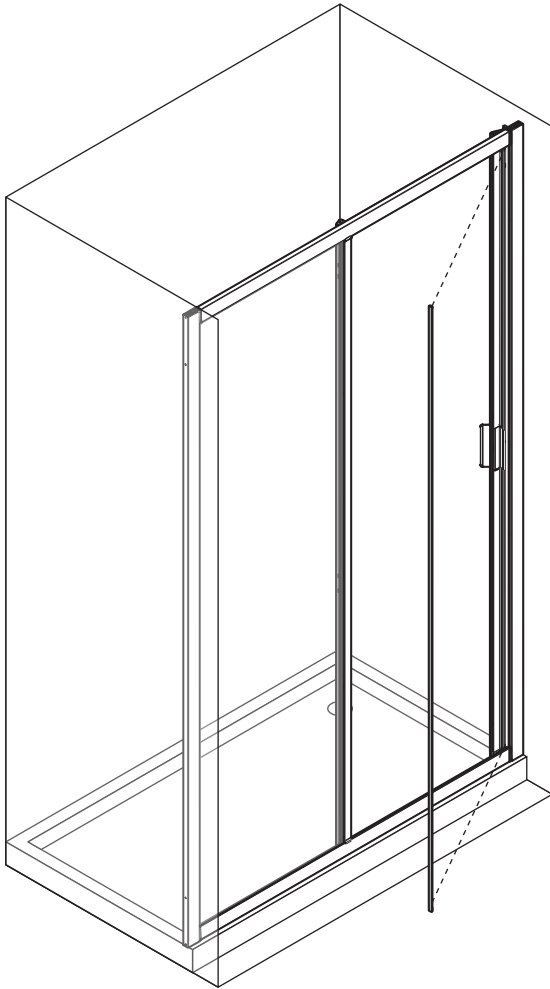
n.4



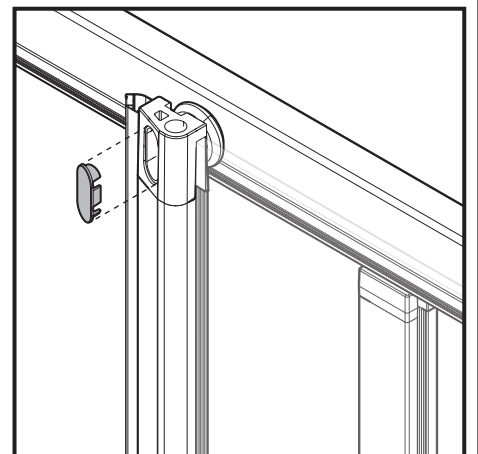
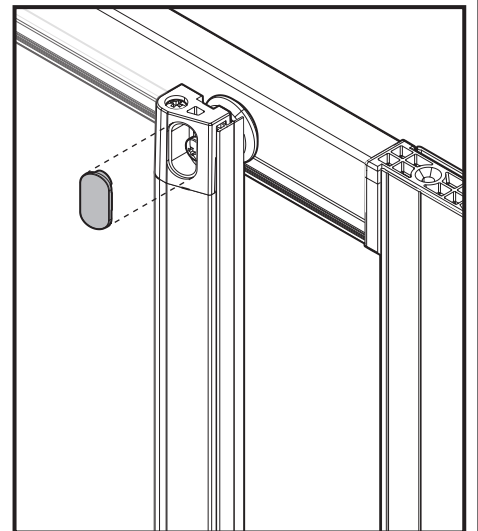
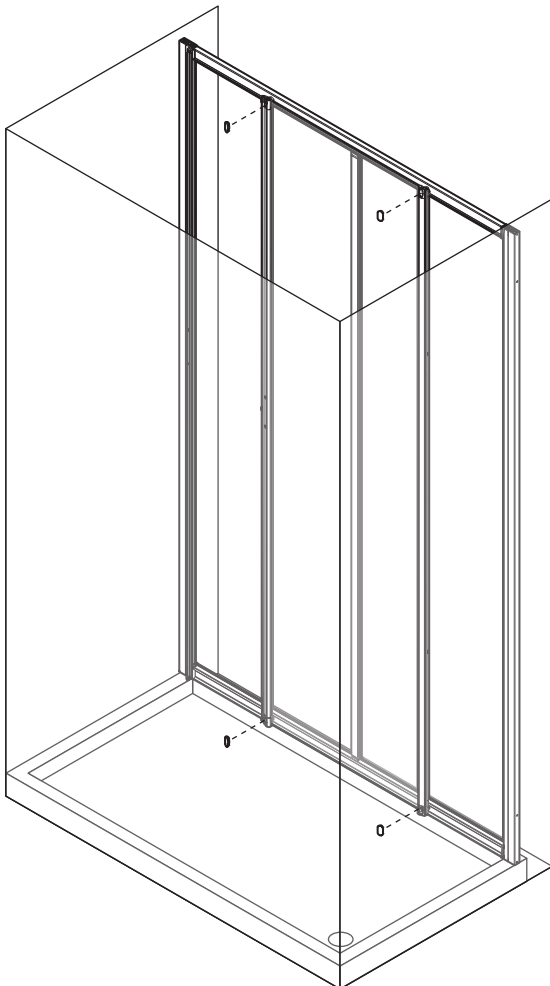
12



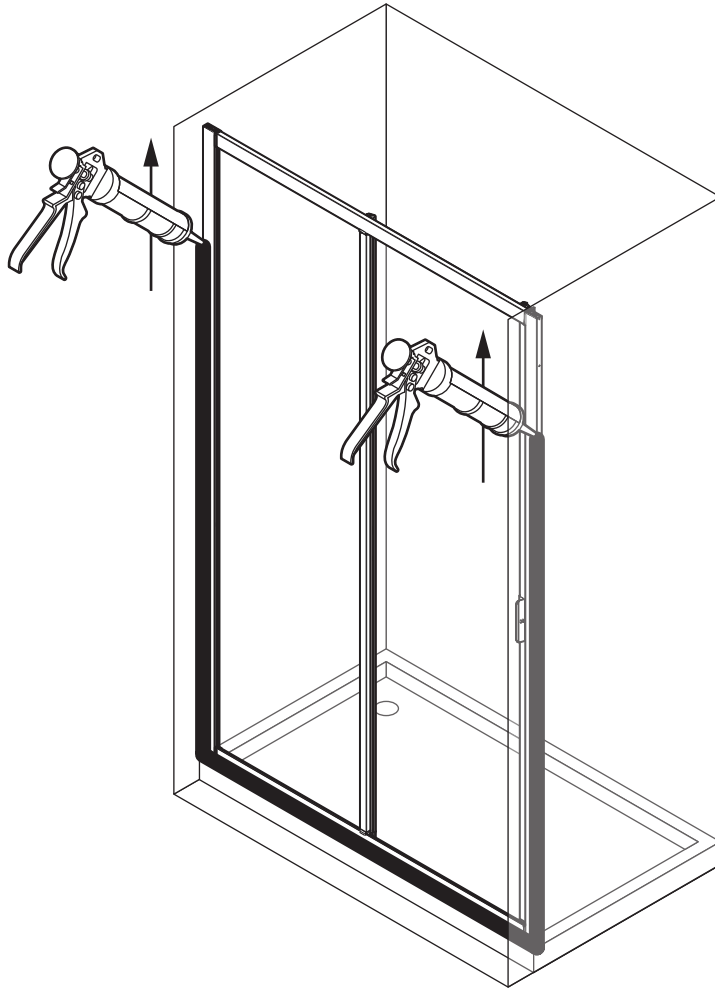
13



14



15



NOVELLINI S.p.A.

Via Mantova, 1023 - 46034 Romanore di Borgo Virgilio (Mn)

Tel. +39 0376 6421

e-mail: safety@novellini.com

www.novellini.com

60095BJ1_03 (05 2026)