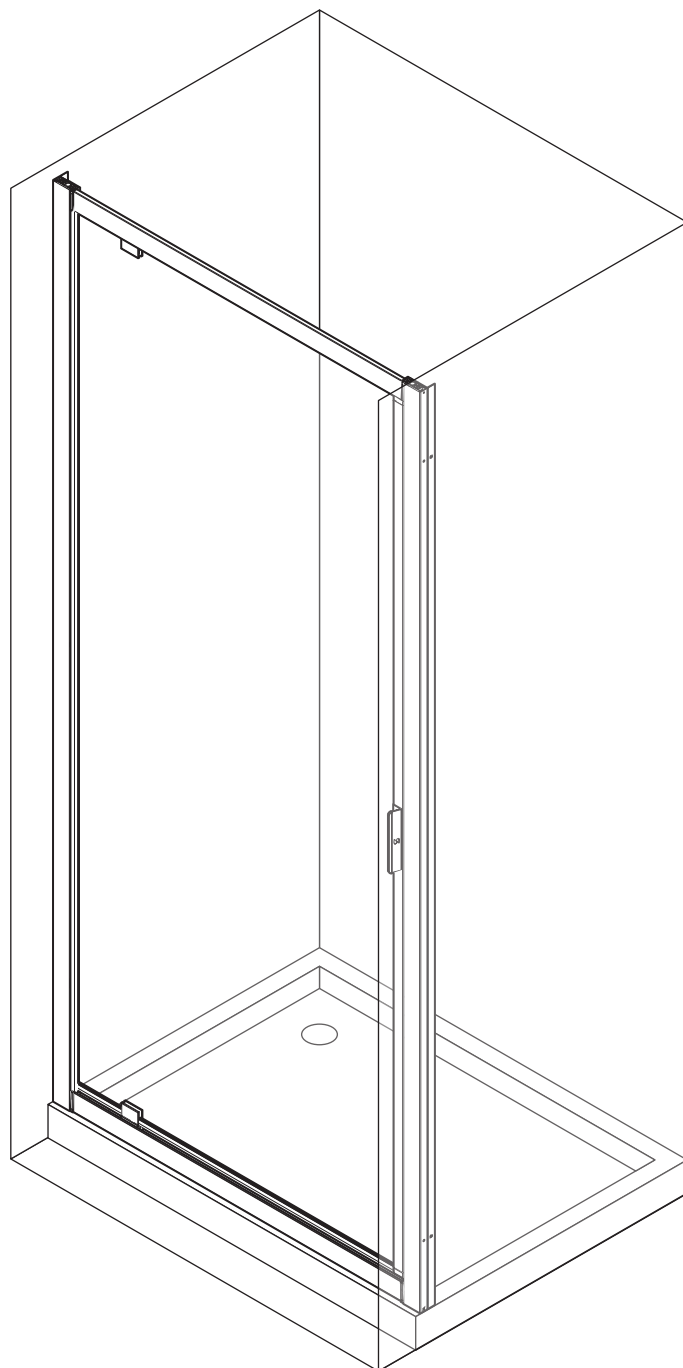
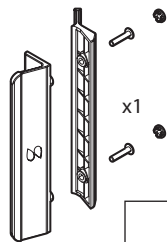
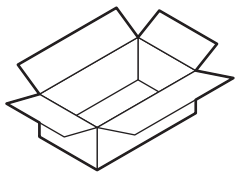
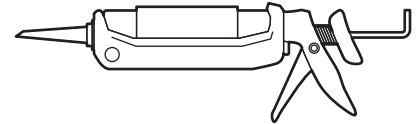
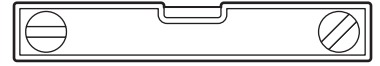
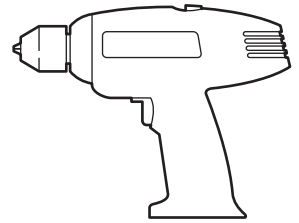
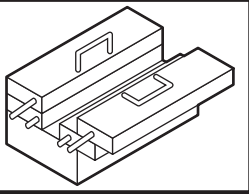
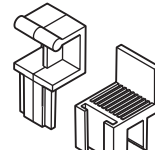


G

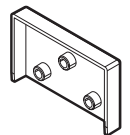




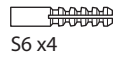
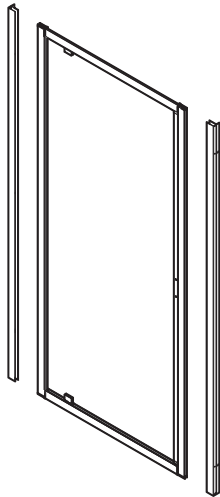
x1



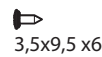
x2



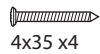
x2



S6 x4



3,5x9,5 x6



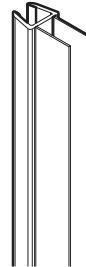
4x35 x4



x6



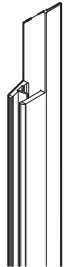
x1



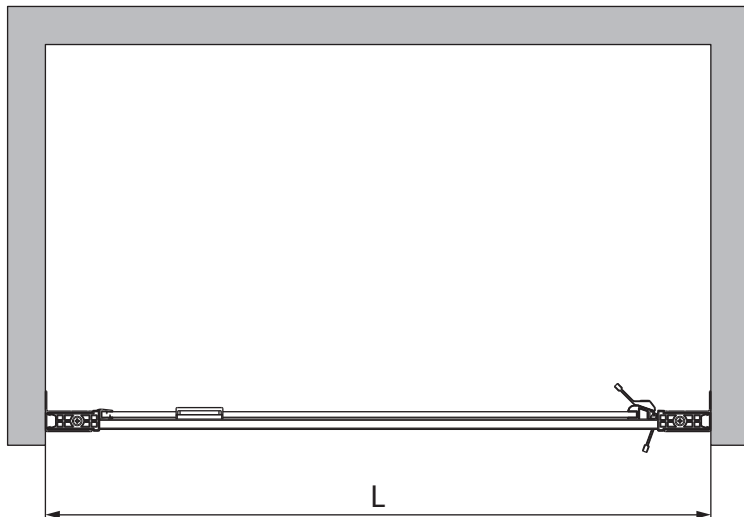
x1



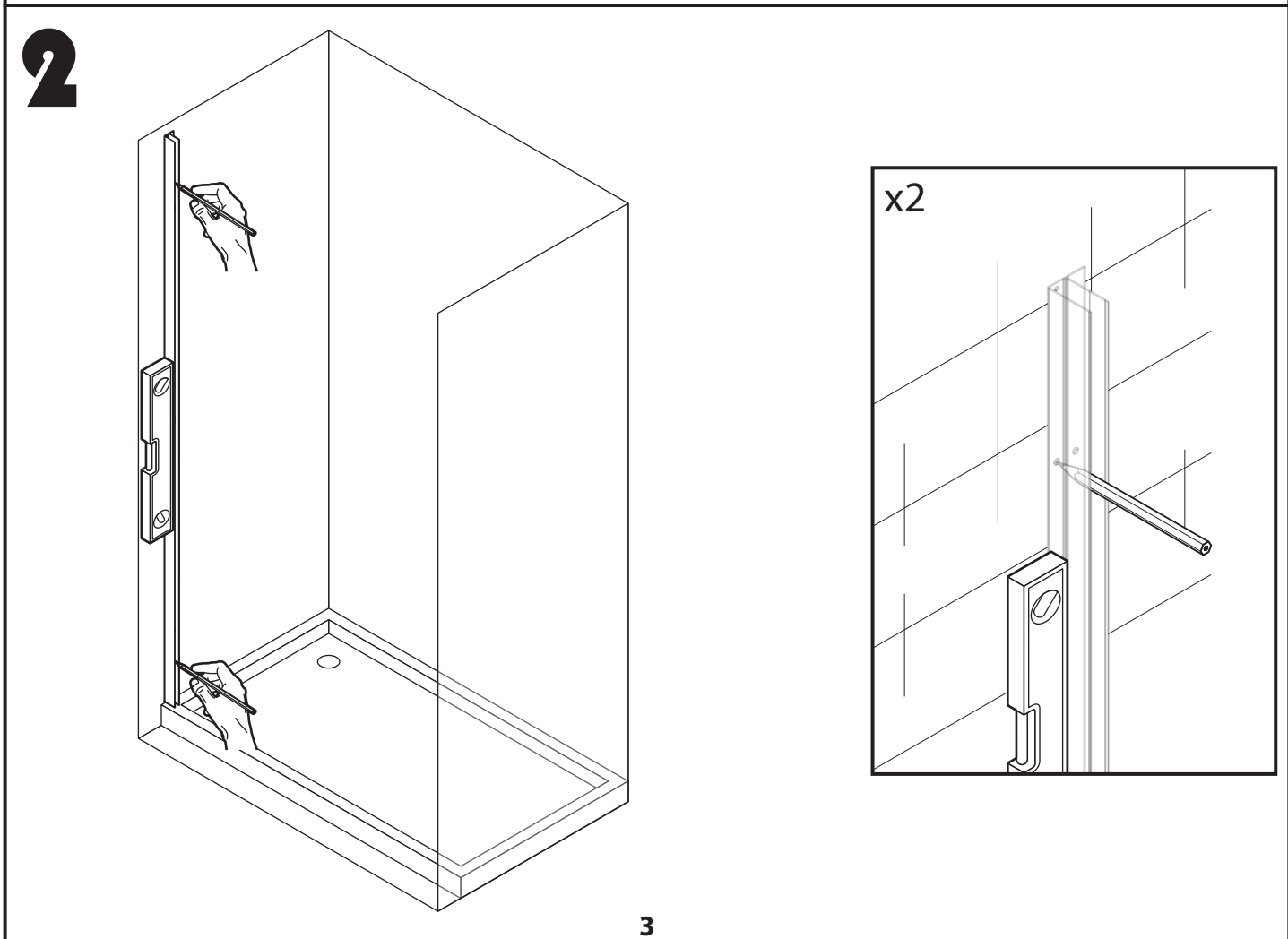
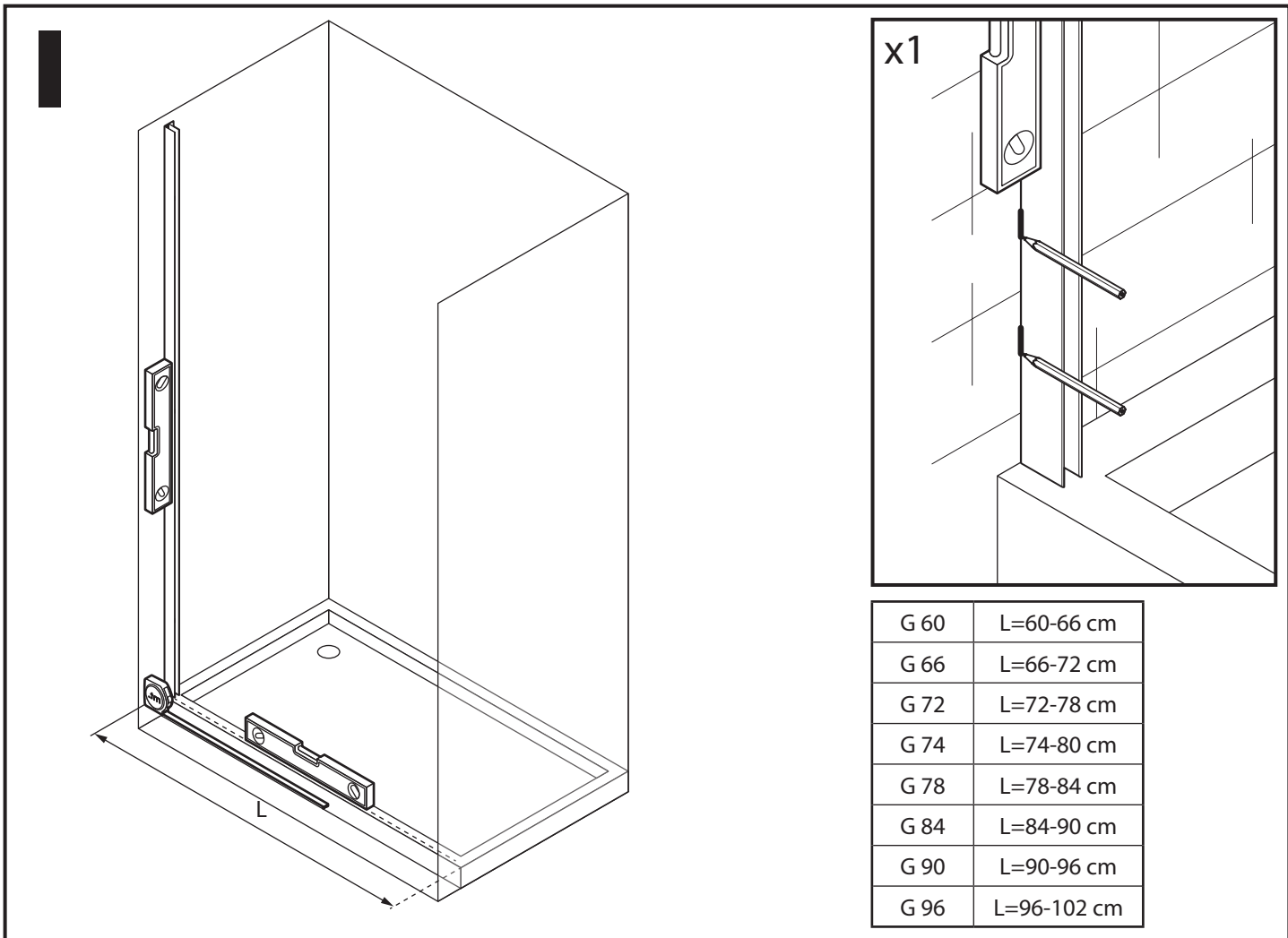
x1



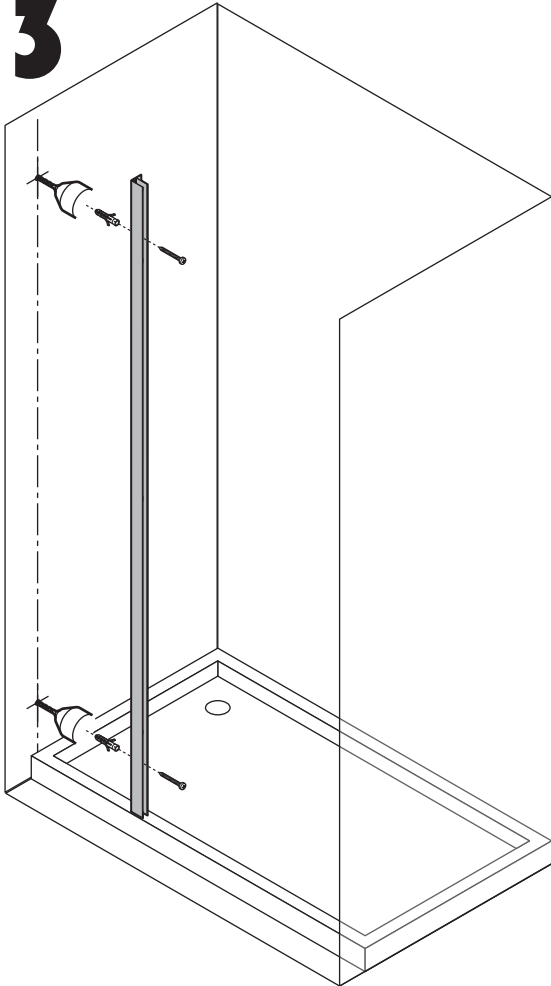
x1



G 60	L=60-66 cm
G 66	L=66-72 cm
G 72	L=72-78 cm
G 74	L=74-80 cm
G 78	L=78-84 cm
G 84	L=84-90 cm
G 90	L=90-96 cm
G 96	L=96-102 cm



3



 4x35 x2

 S6 x2

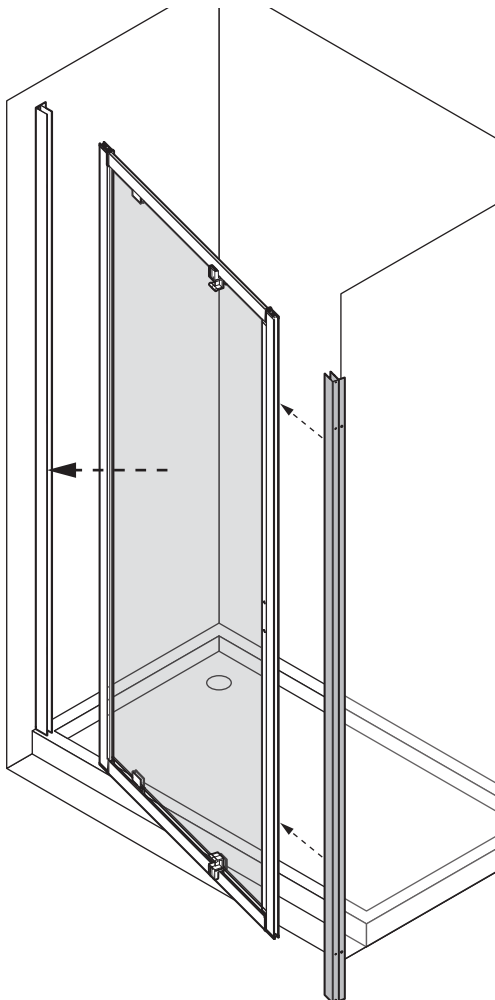
 $\varnothing 6$ mm



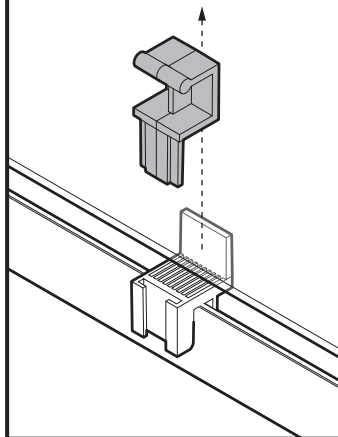
No!

OK

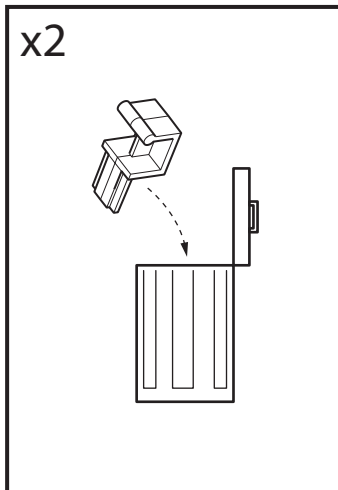
4



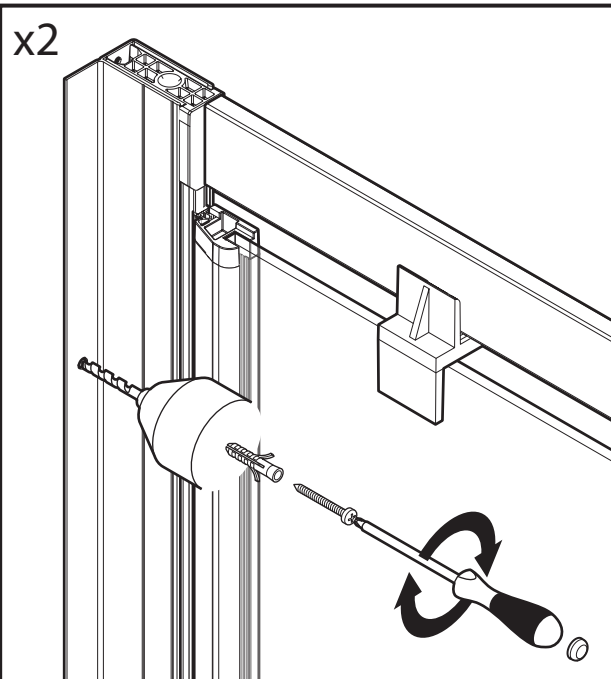
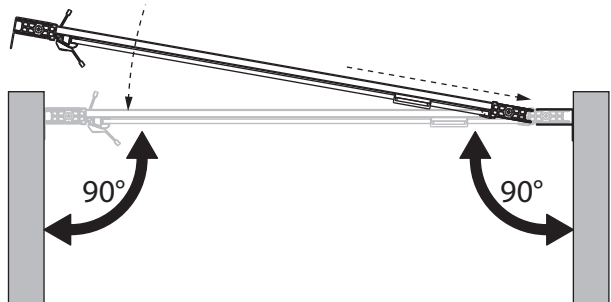
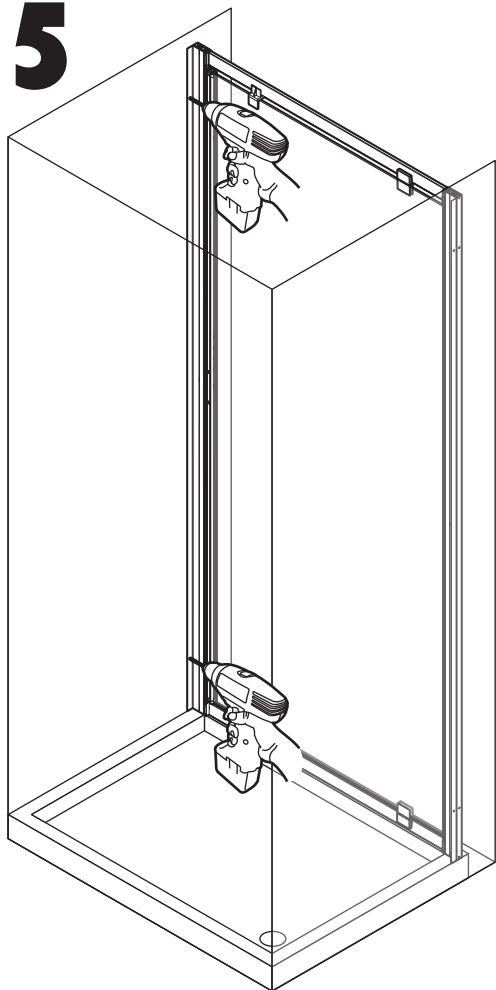
x2



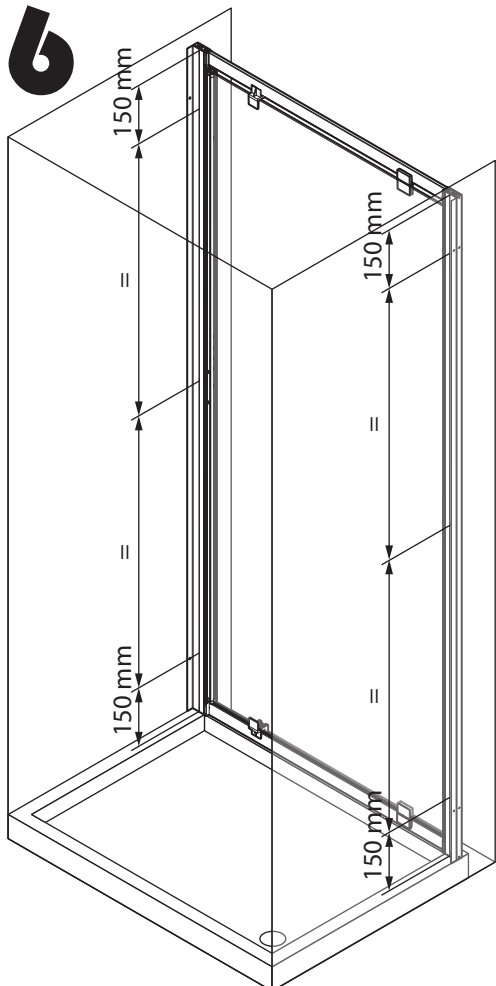
x2



5



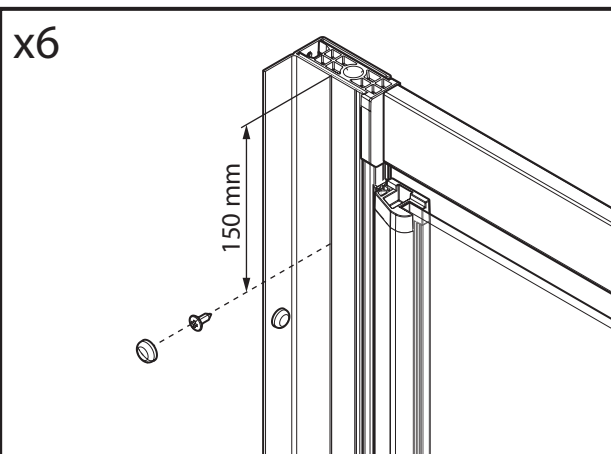
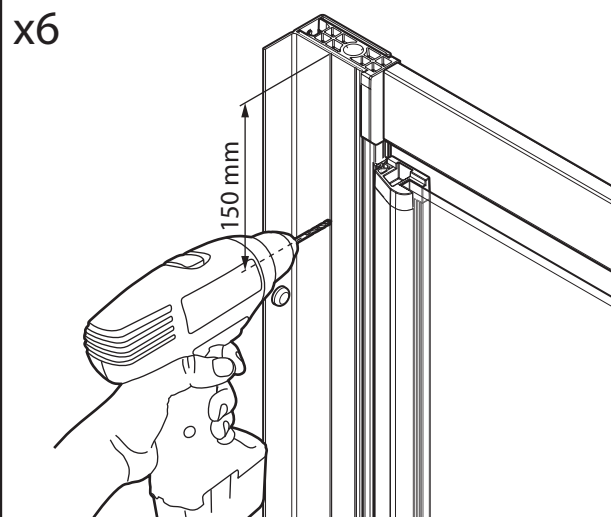
6



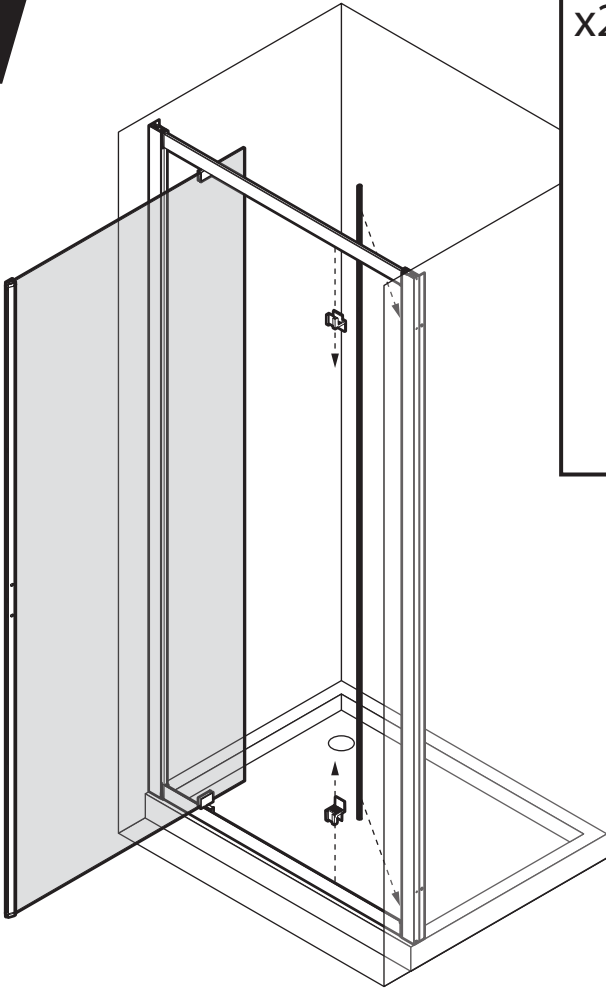
3,5x9,5 x6



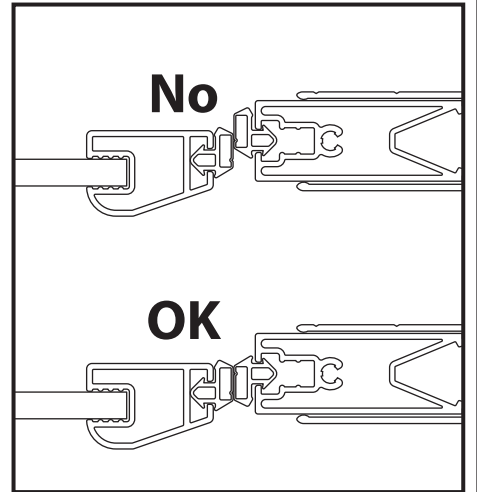
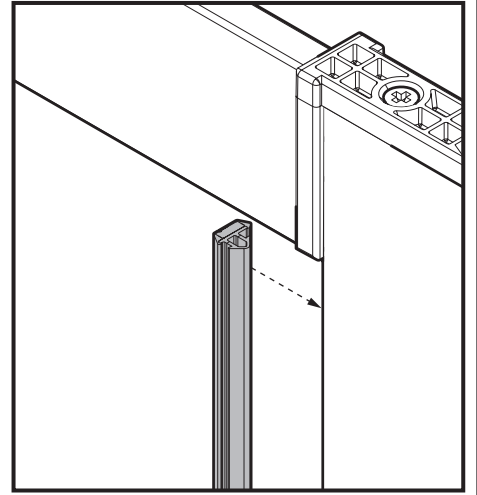
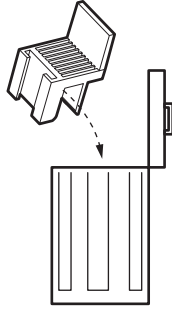
x6



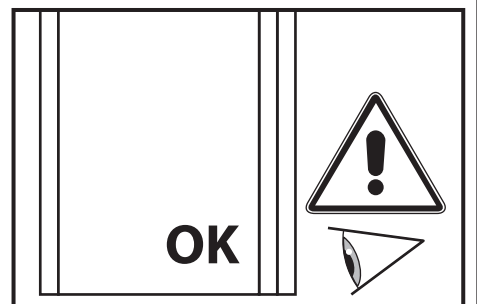
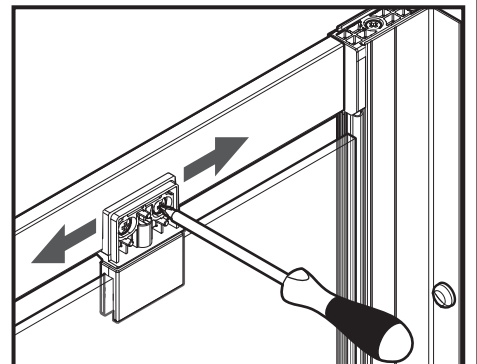
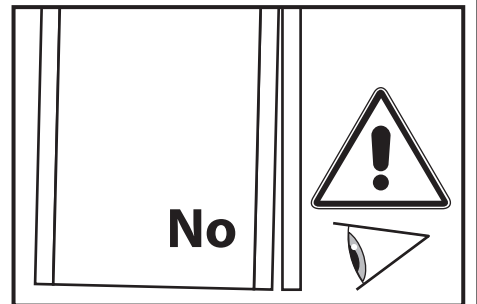
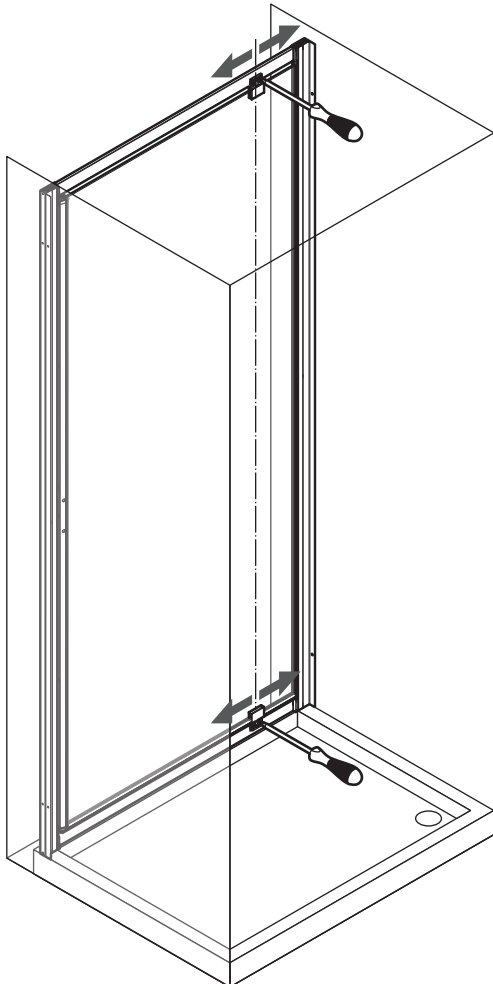
7



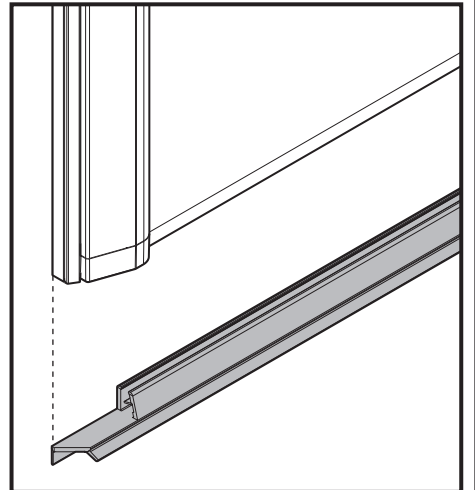
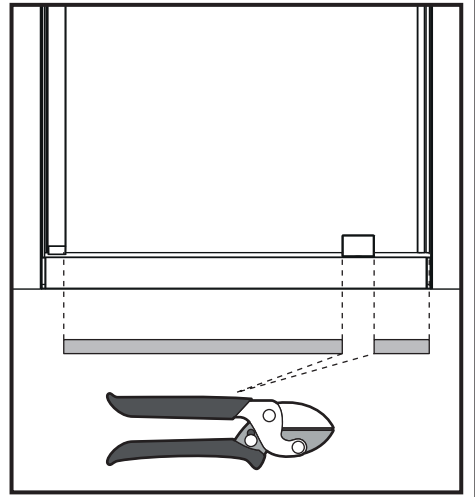
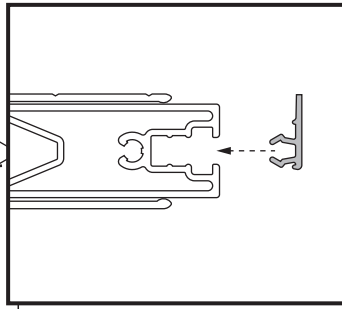
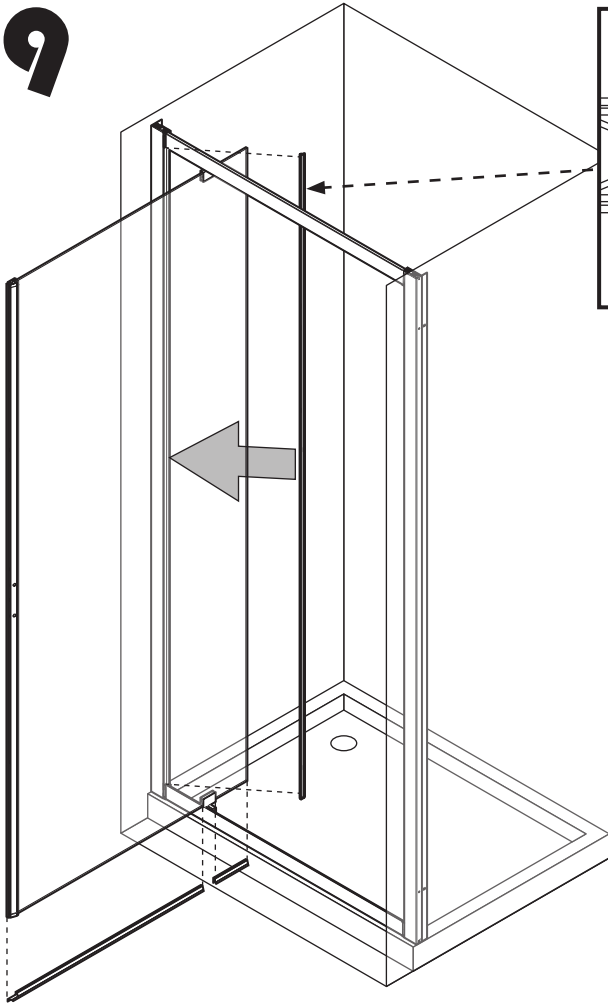
x2



8



9



10

