

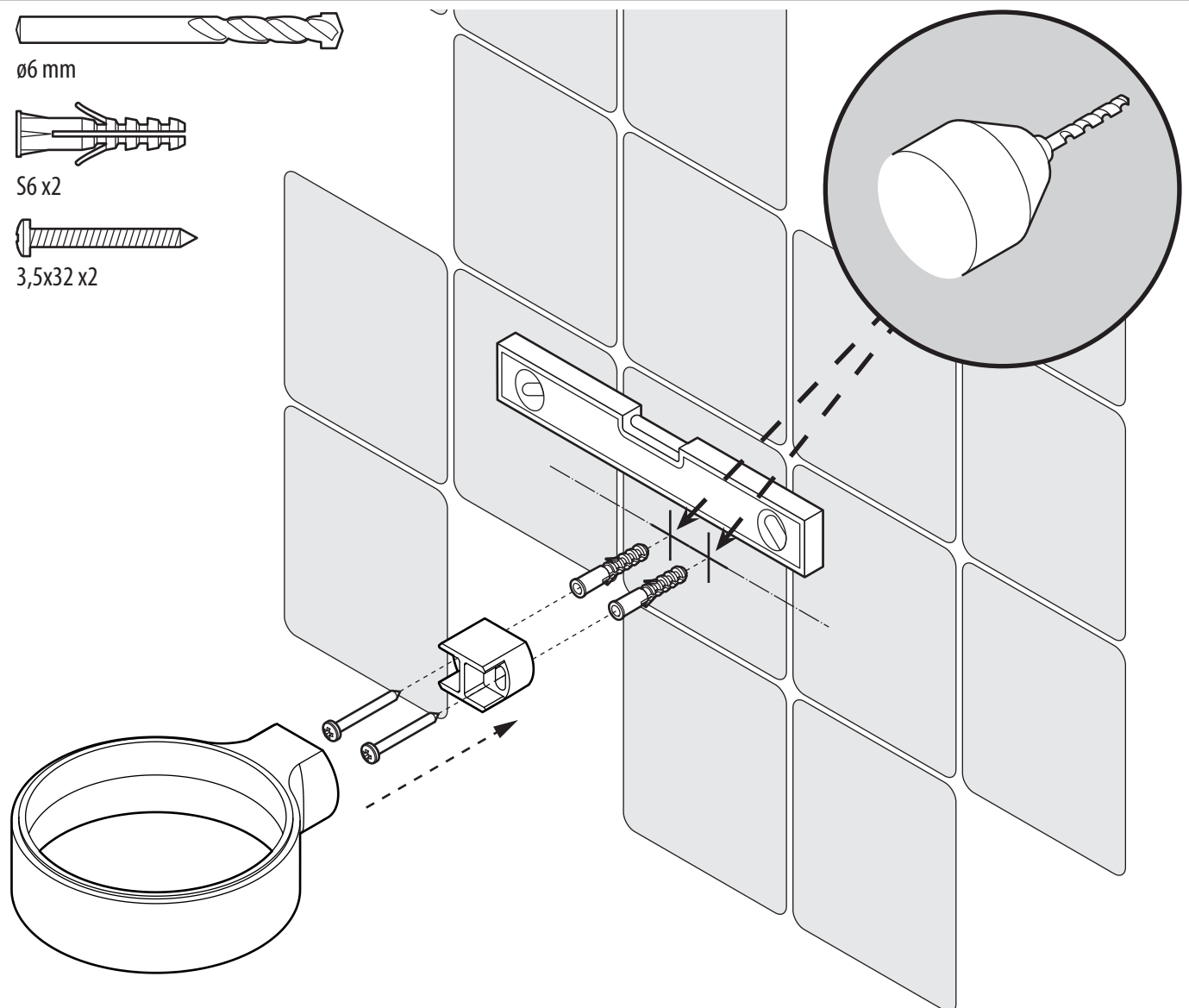
ø6 mm



S6 x2



3,5x32 x2





M5x6 x1

