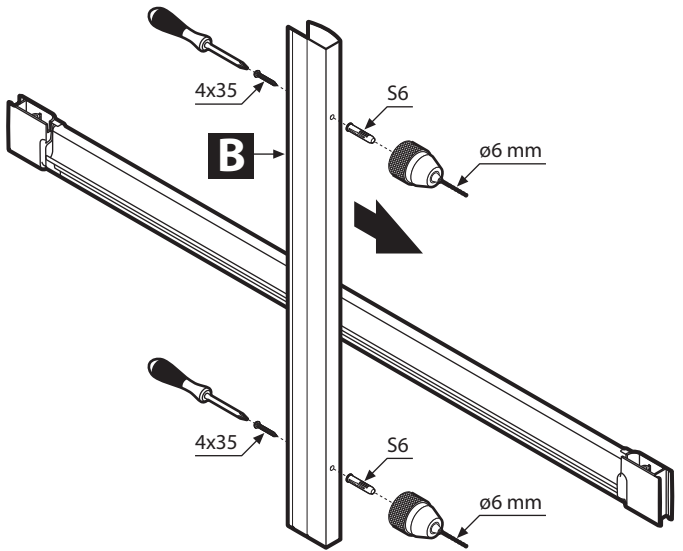
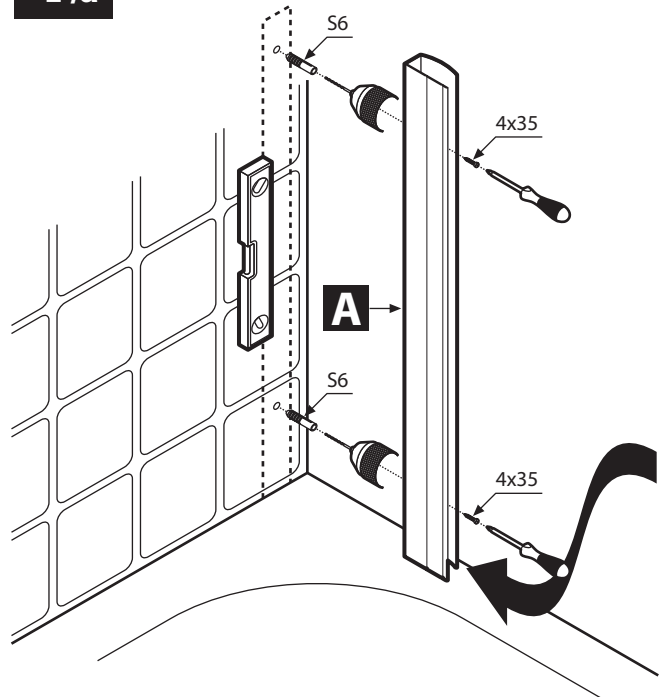
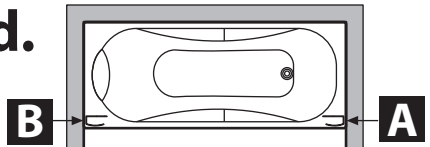


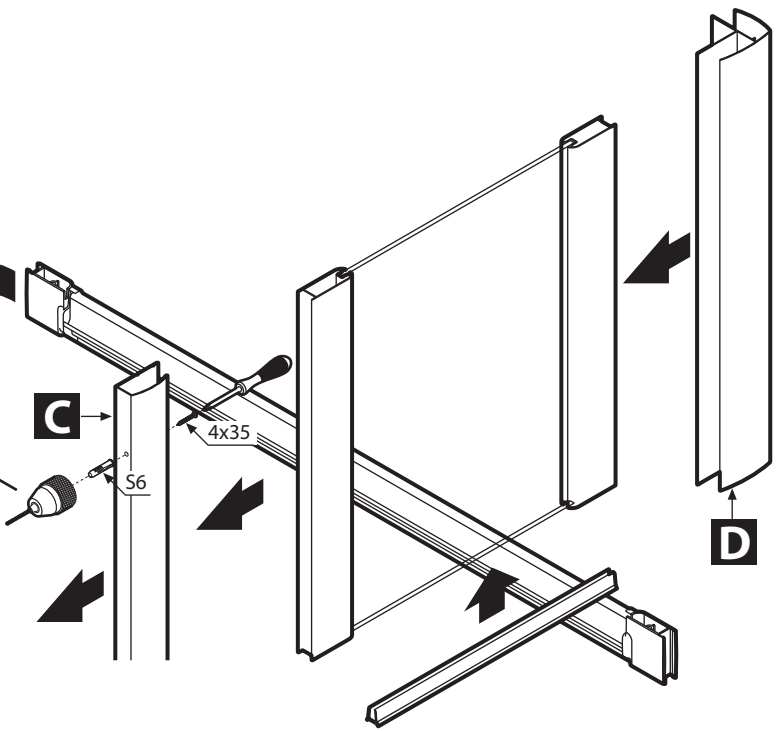
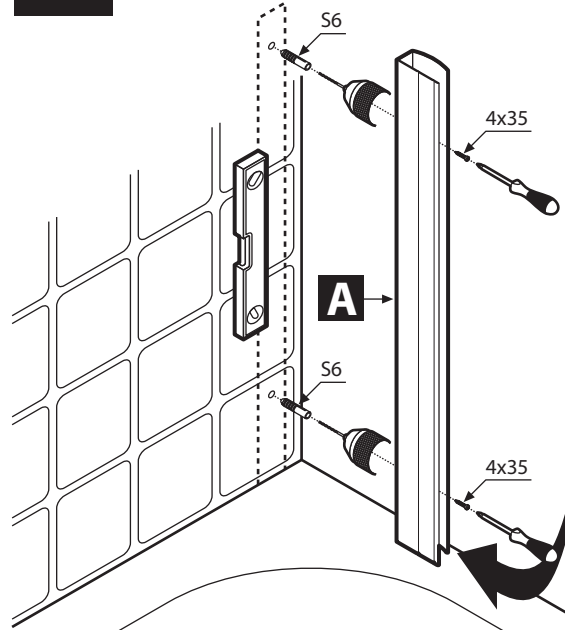
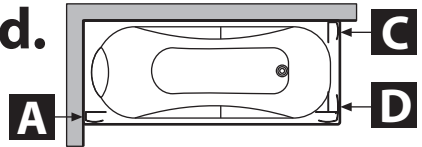
1/a

mod.

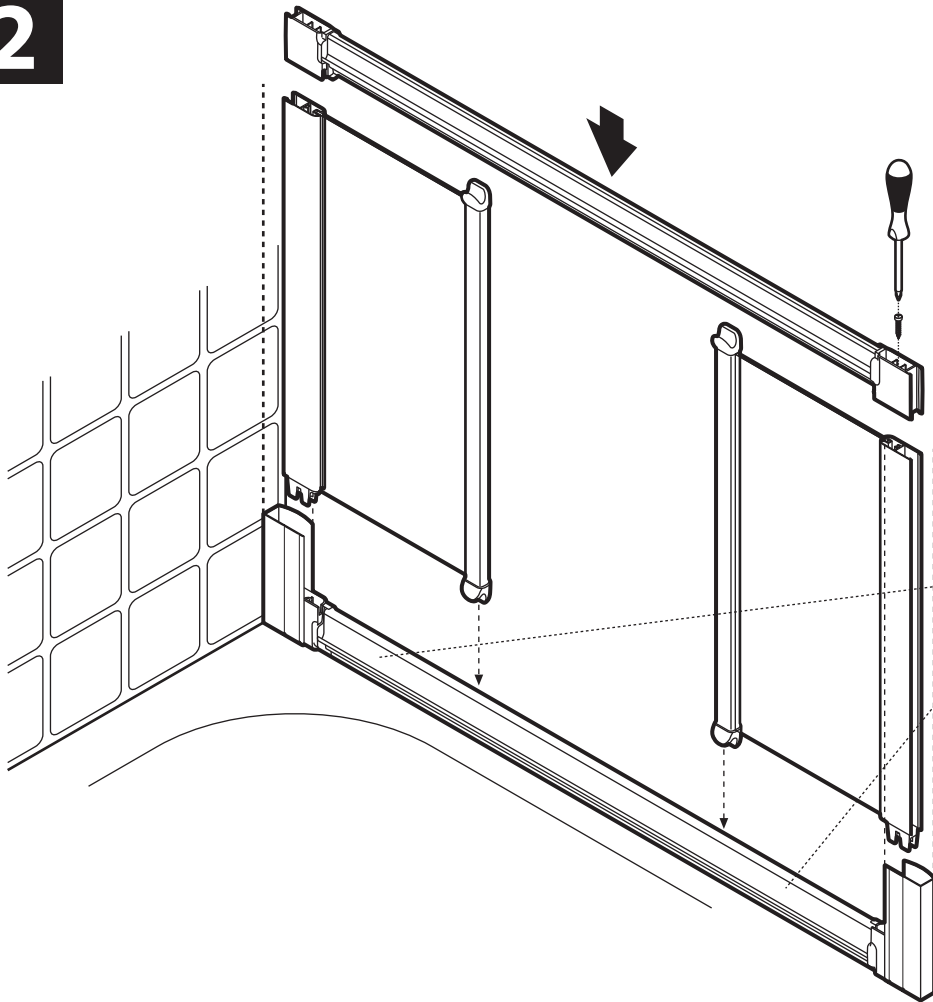


1/b

mod.

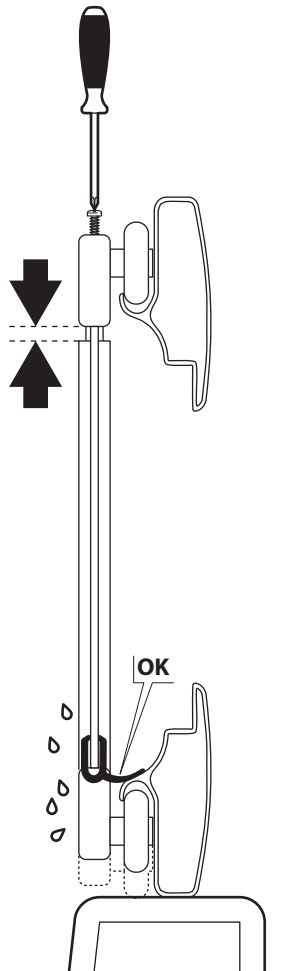
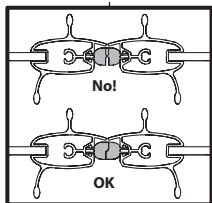
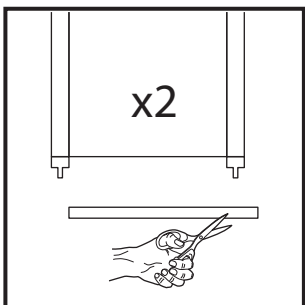
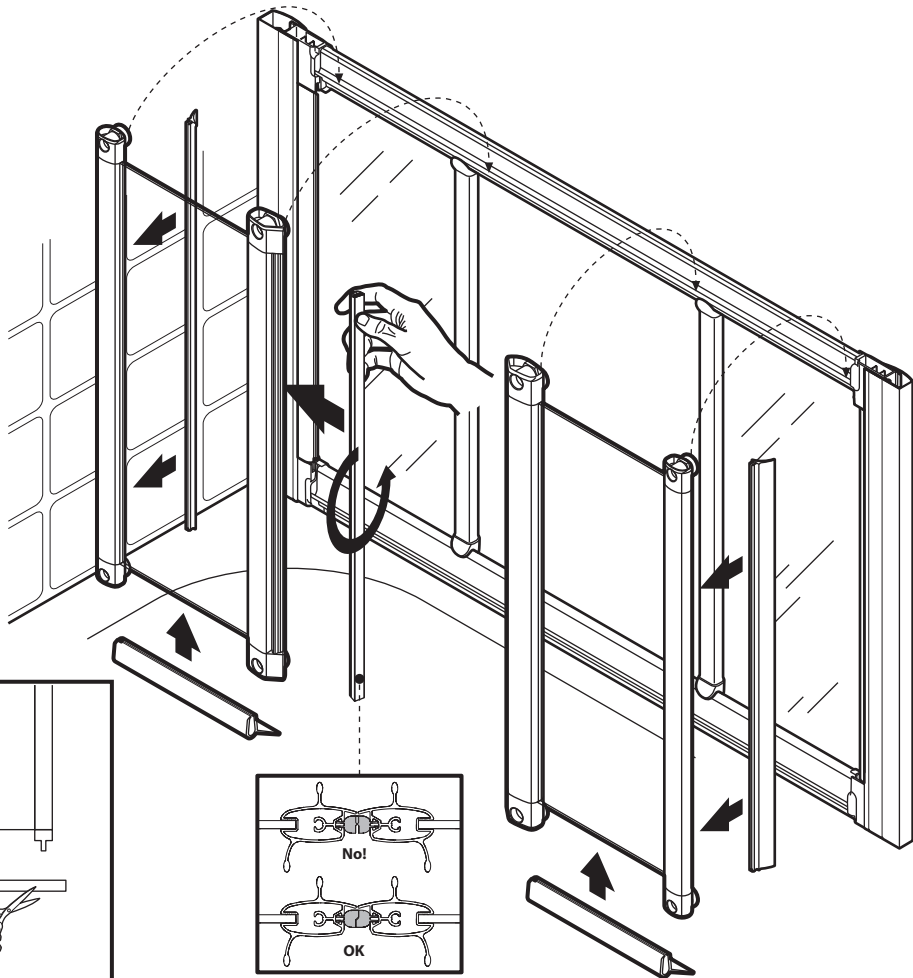


2

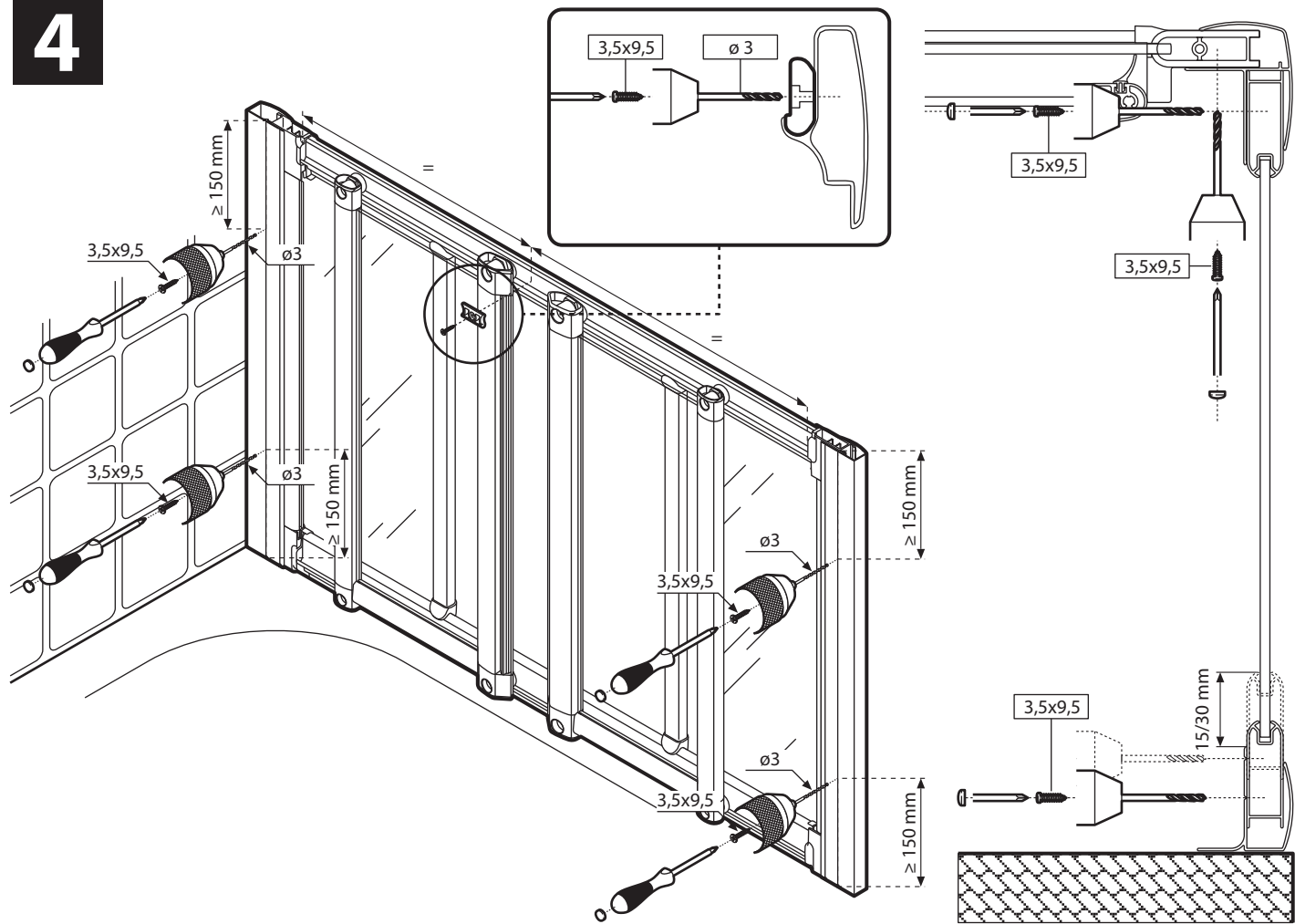


3,5x45
x2

3



4



5

