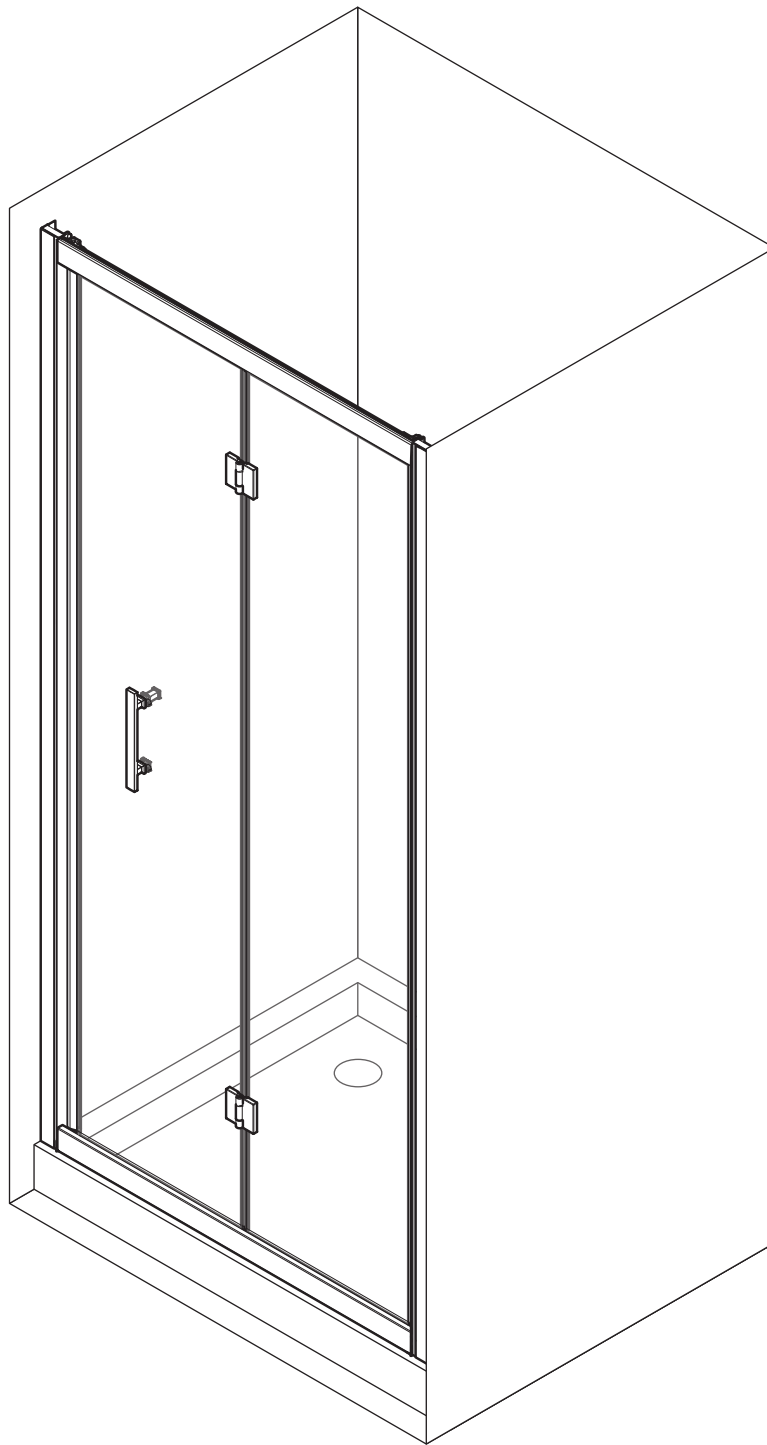
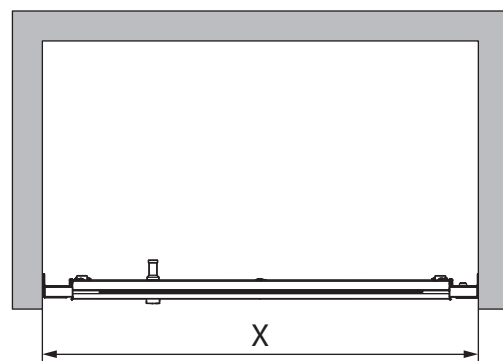
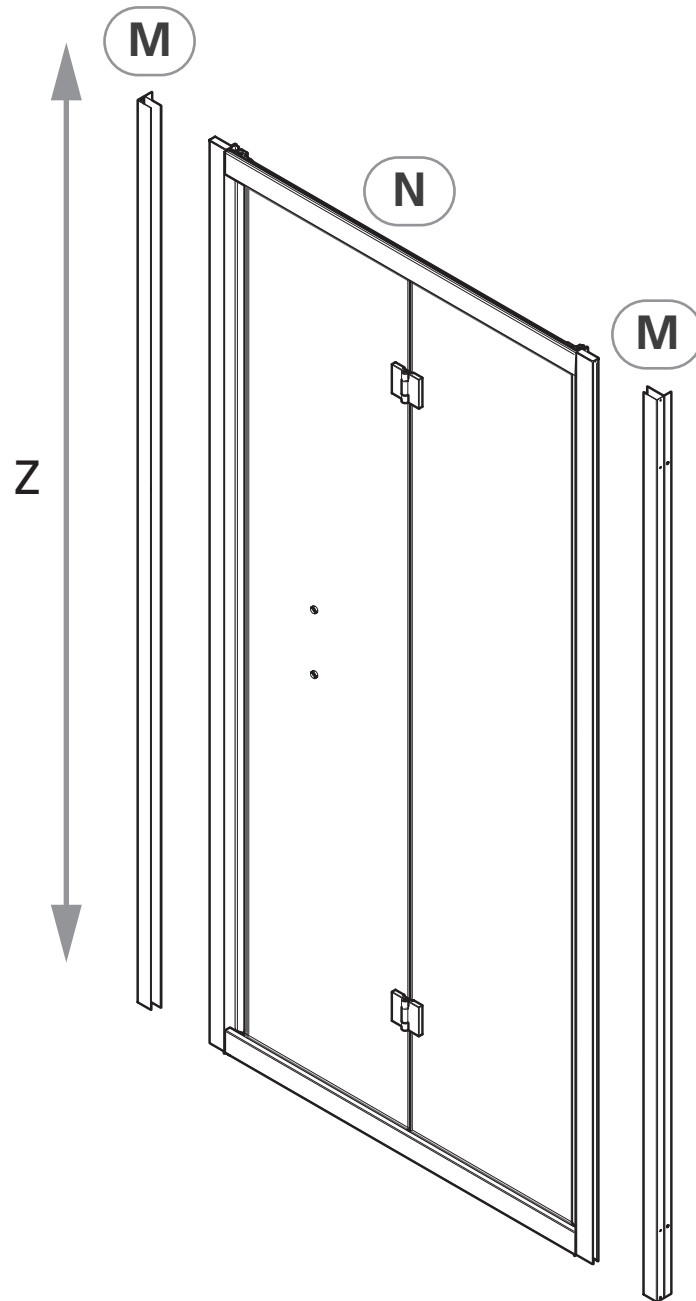


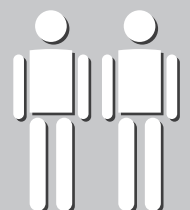
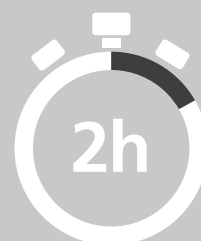
ZEPHYRO S

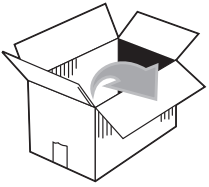
S



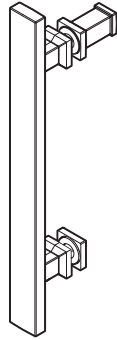


S66	X=66-72 cm	Z=195 cm
S72	X=72-78 cm	Z=195 cm
S76	X=76-82 cm	Z=195 cm
S86	X=86-92 cm	Z=195 cm
S96	X=96-102 cm	Z=195 cm

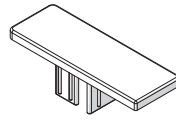




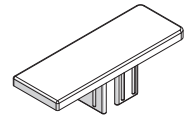
B1



B2

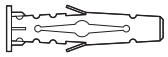


B3



C1

x4



C2

x4



4X35 mm

C5

x4



3,5x9,5 mm

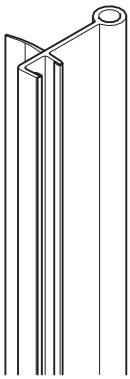
C6

x6



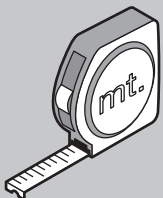
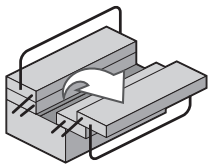
D1

x1



D2

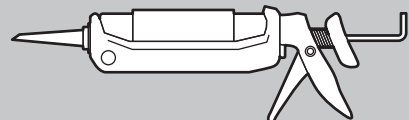
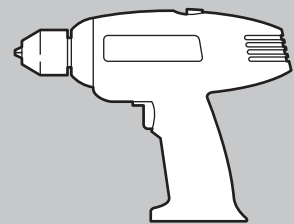
x2



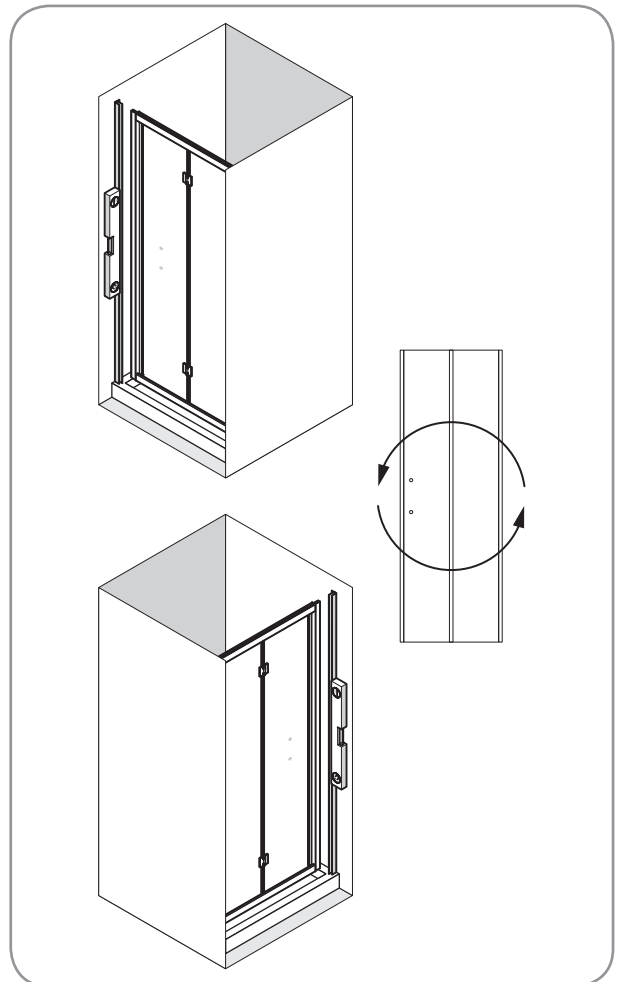
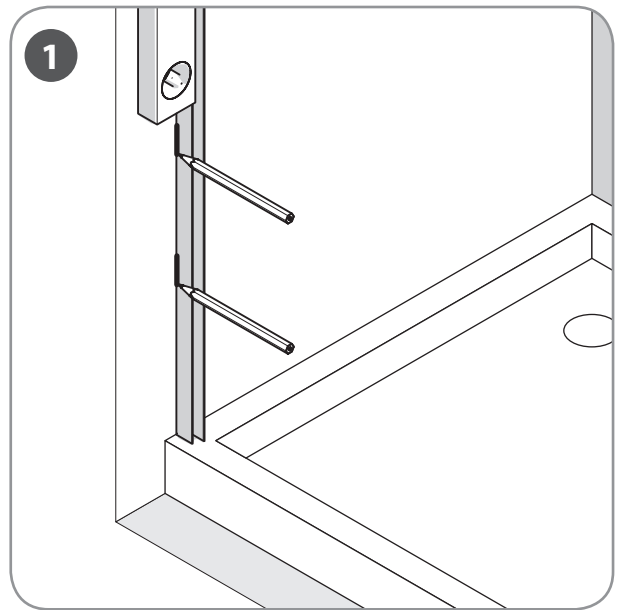
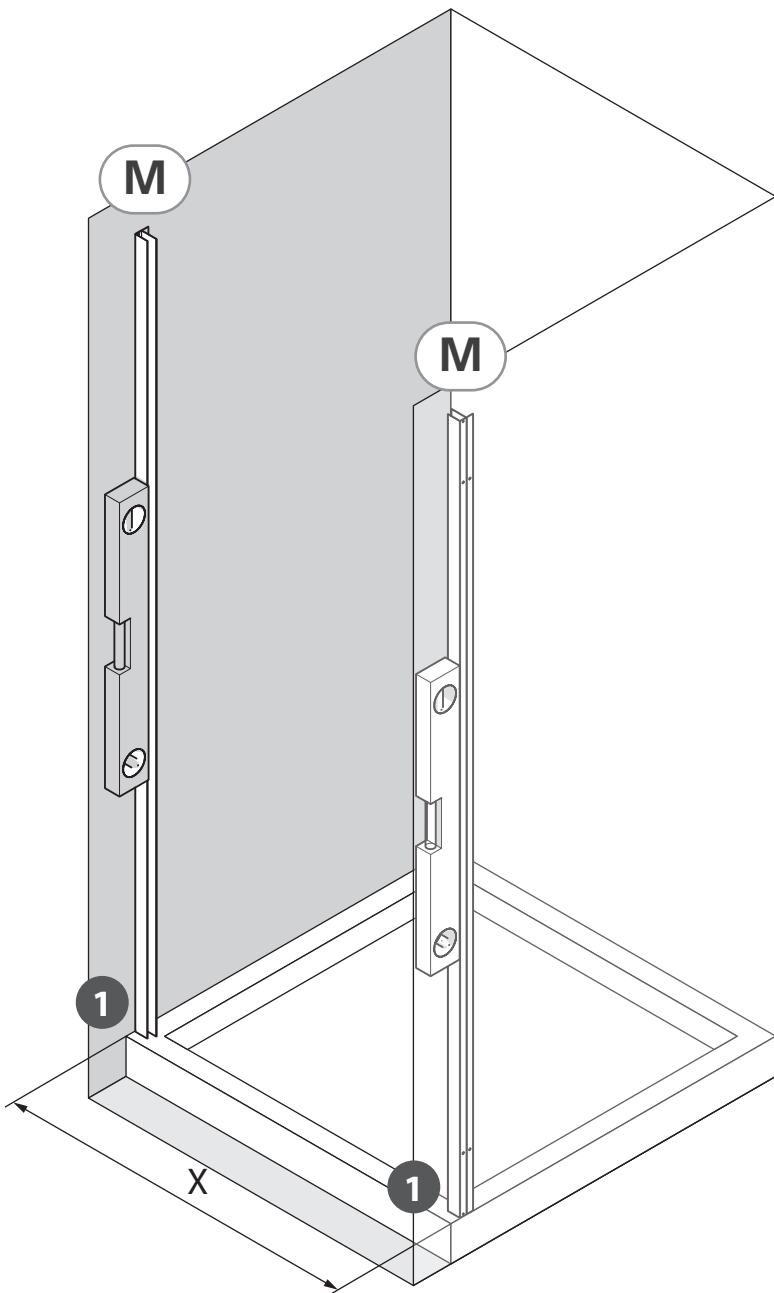
ø6 mm



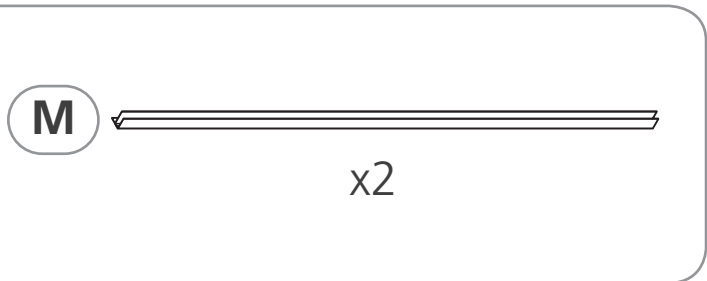
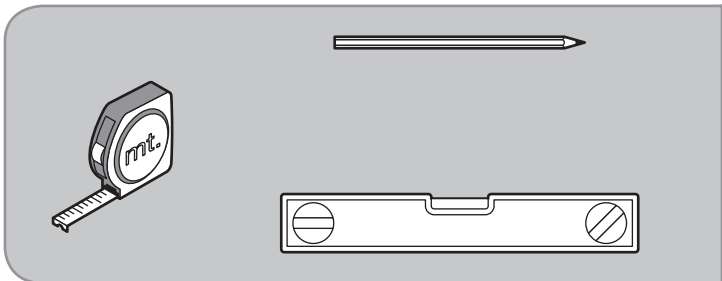
ø3 mm

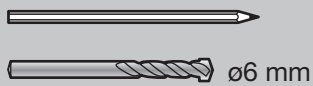
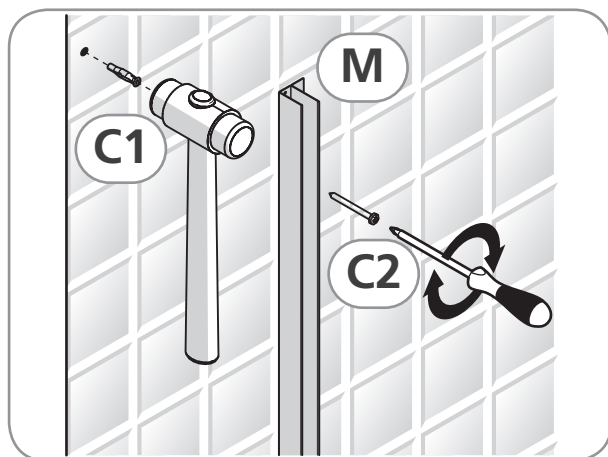
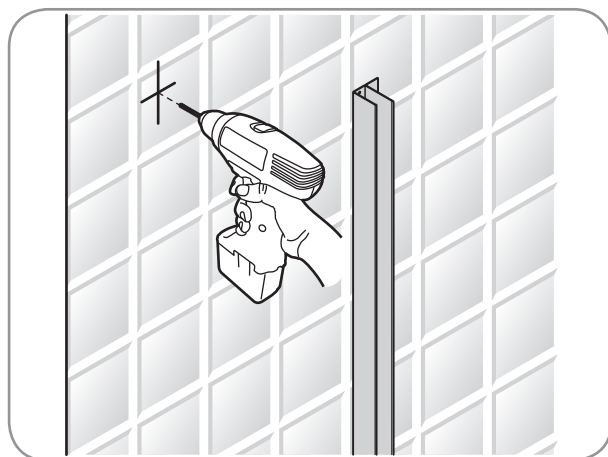
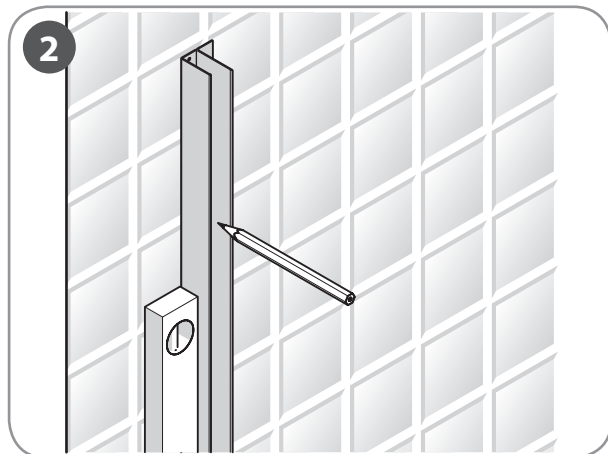
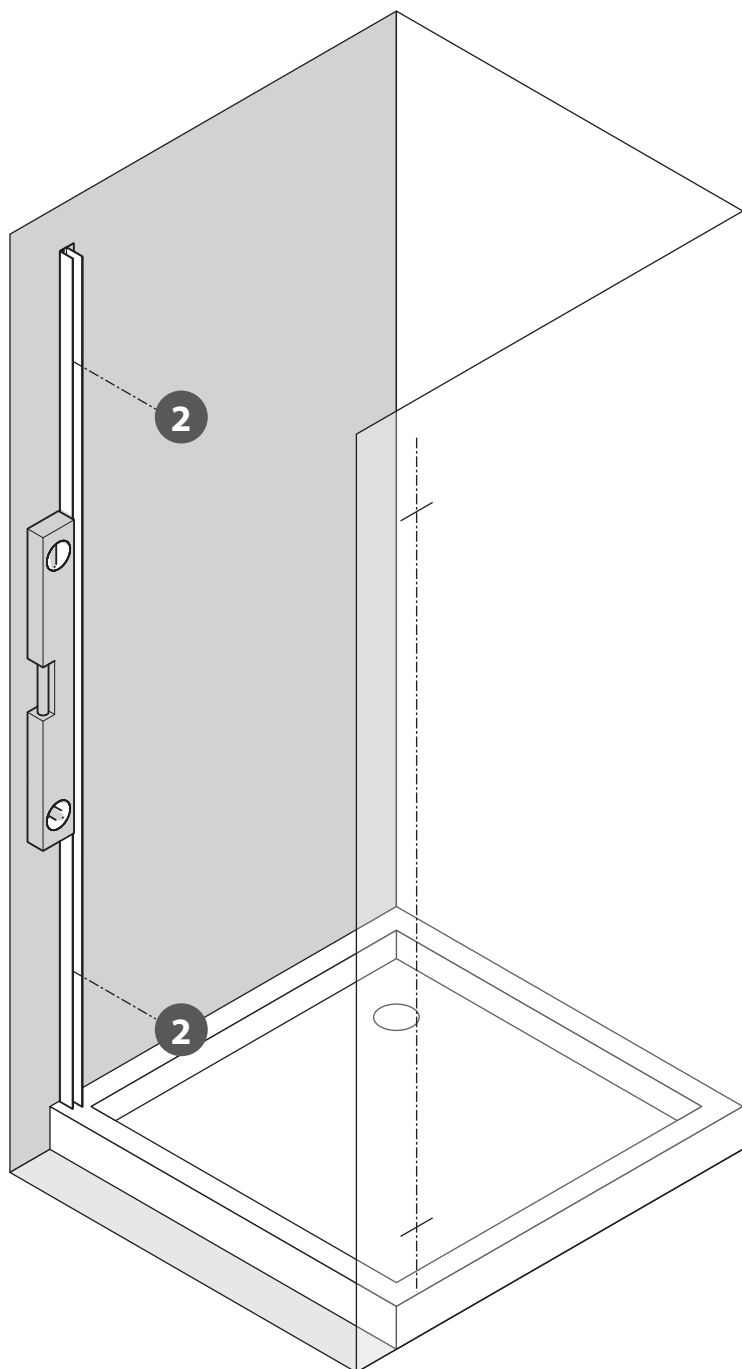


1

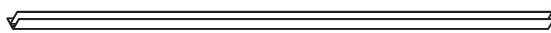


- S66 X=66-72 cm
- S72 X=72-78 cm
- S76 X=76-82 cm
- S86 X=86-92 cm
- S96 X=96-102 cm

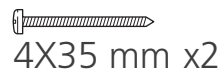




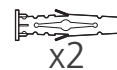
M



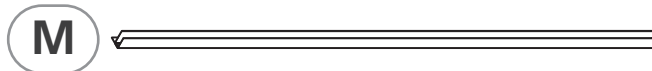
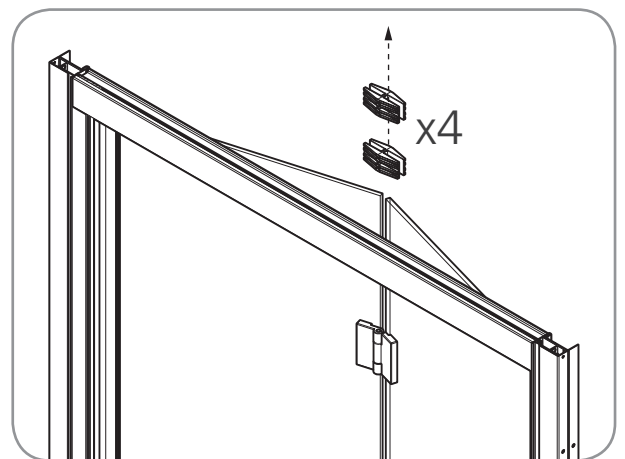
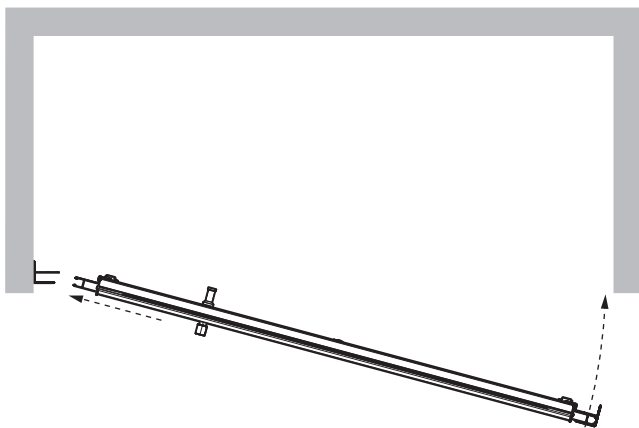
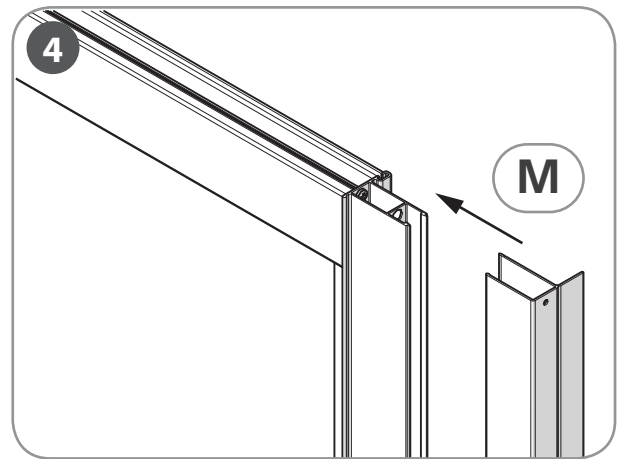
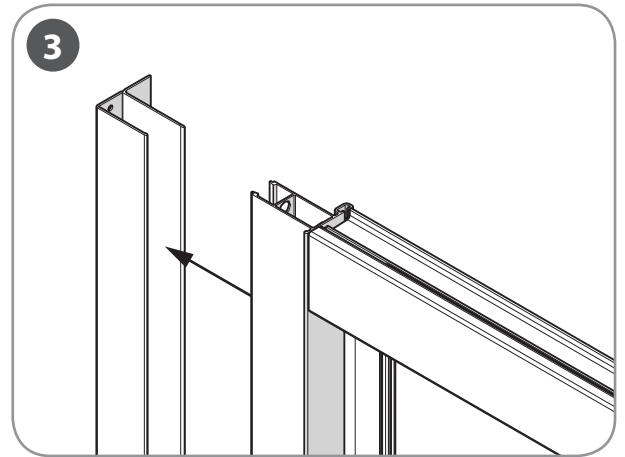
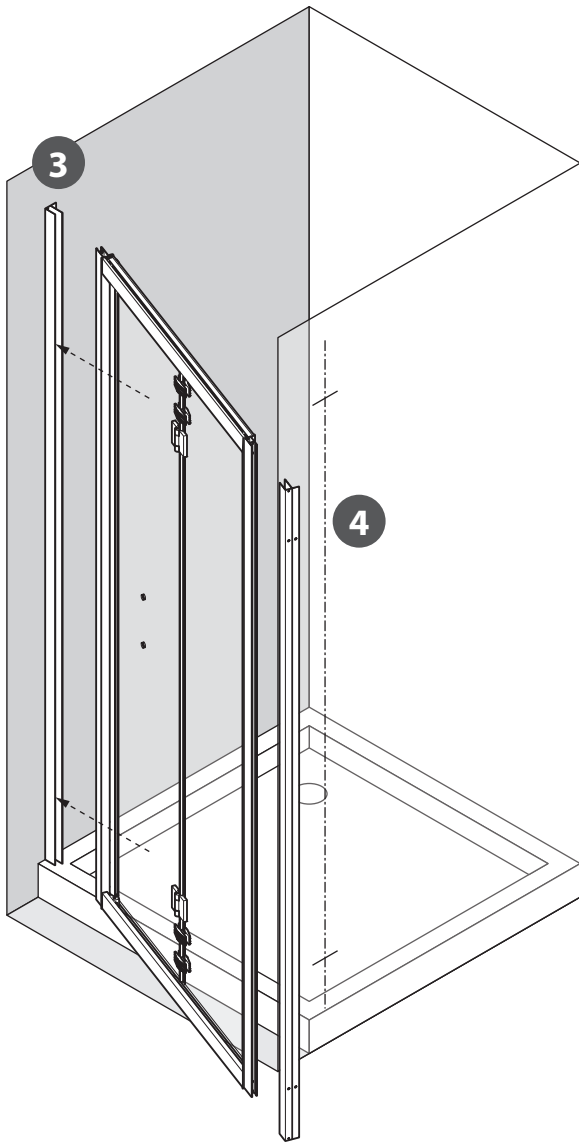
C2

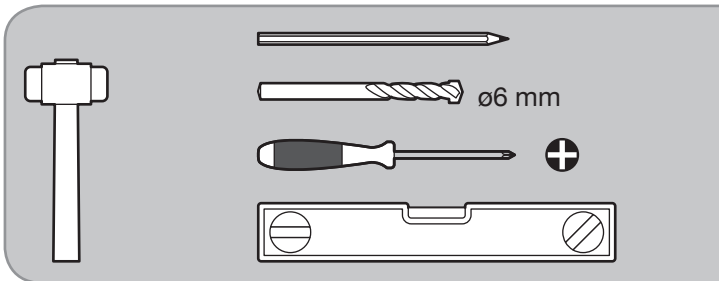
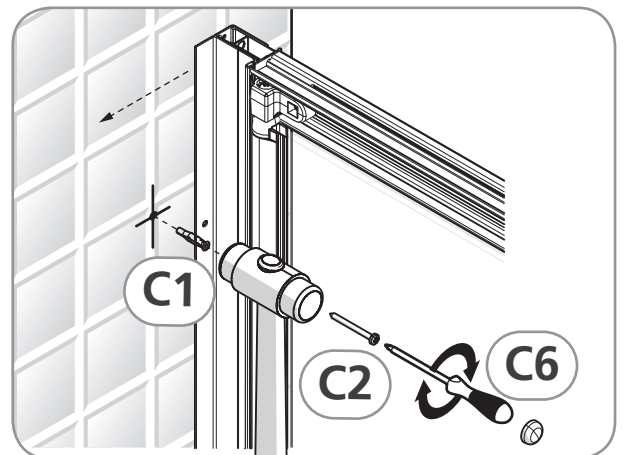
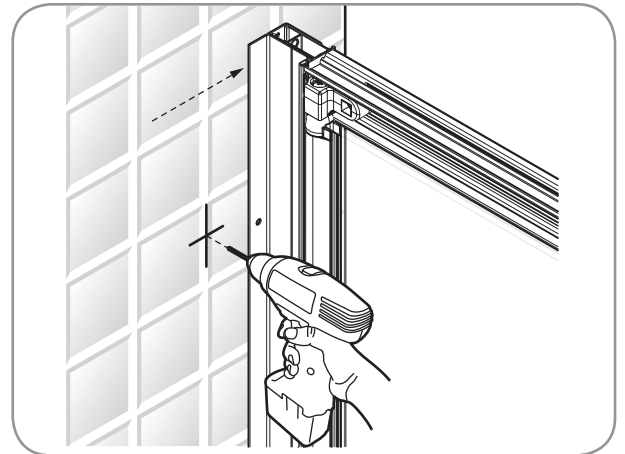
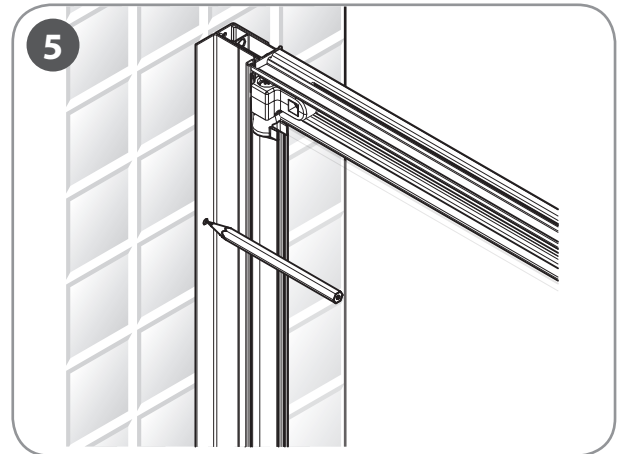
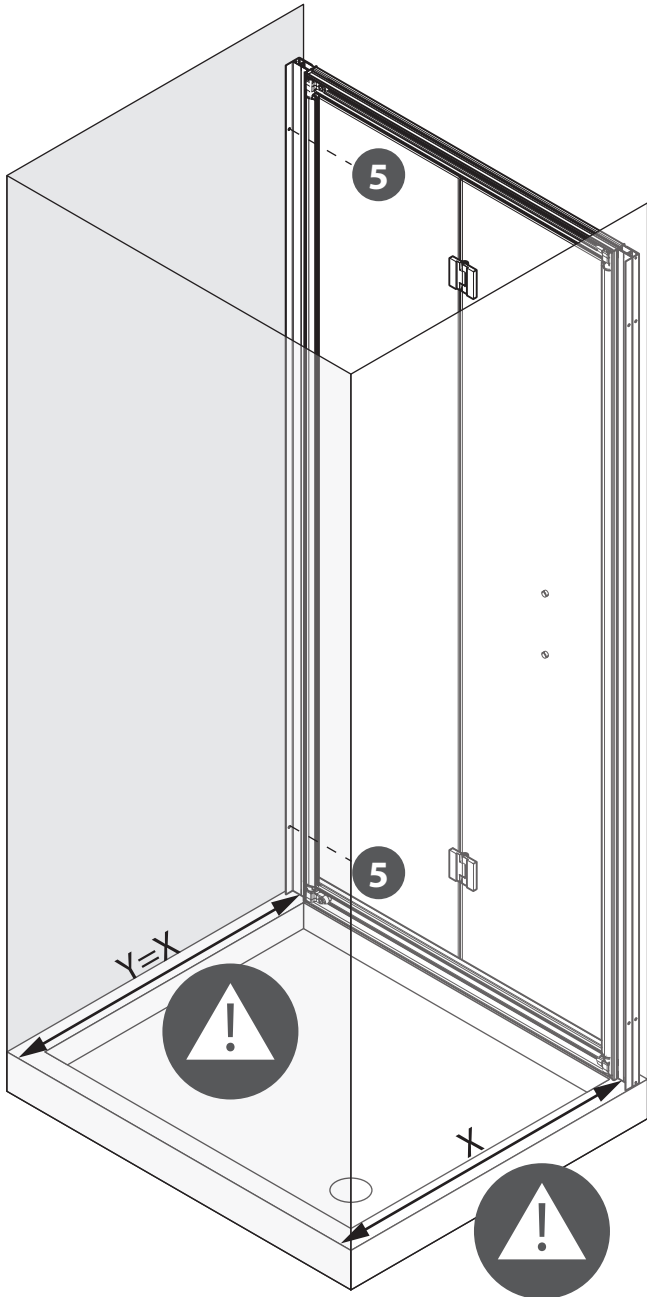
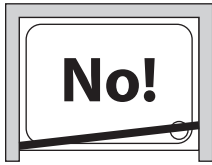


C1



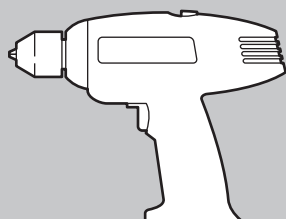
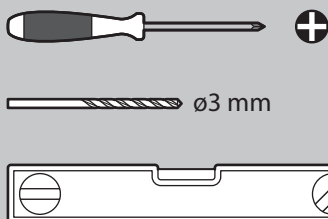
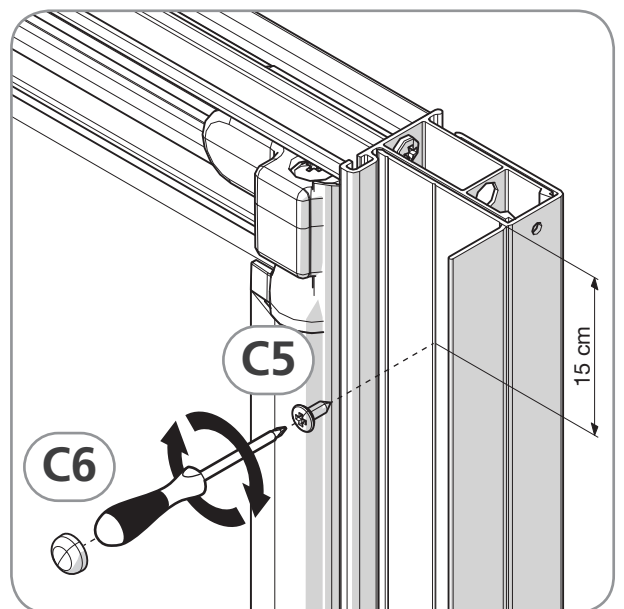
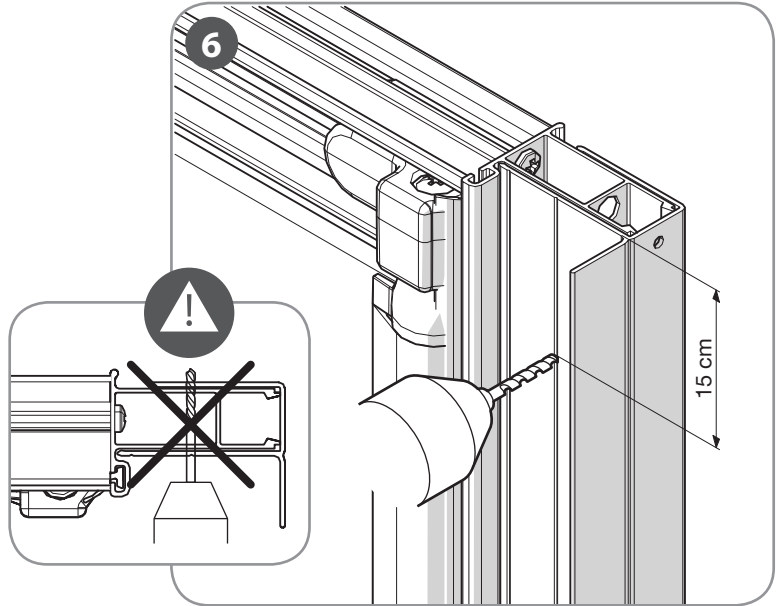
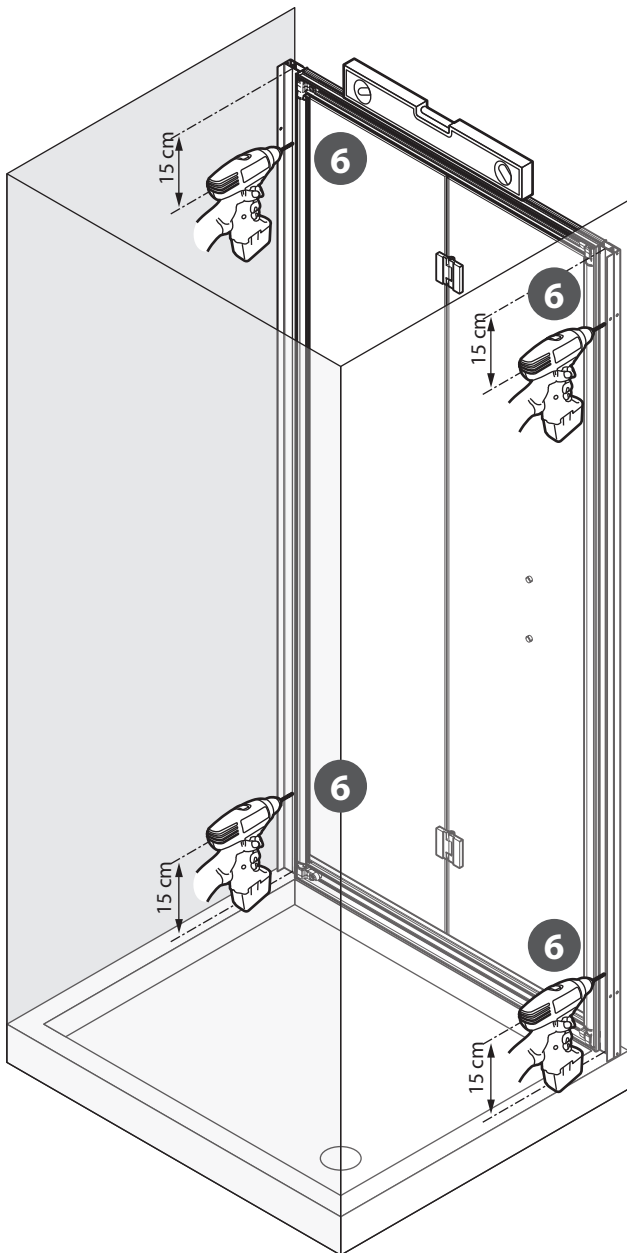
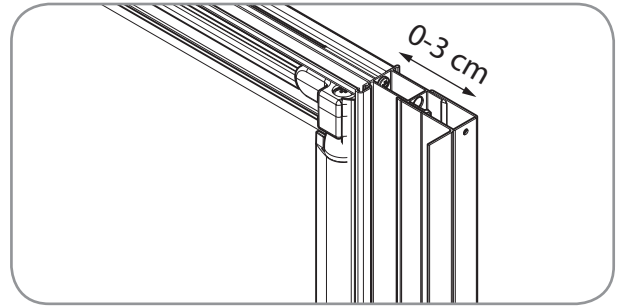
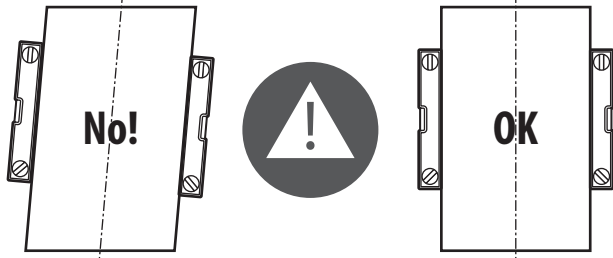
3







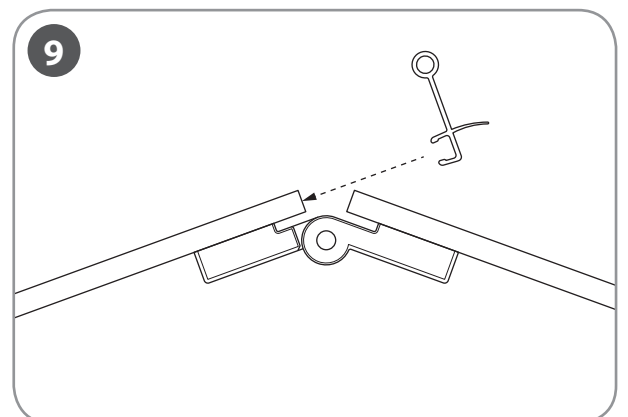
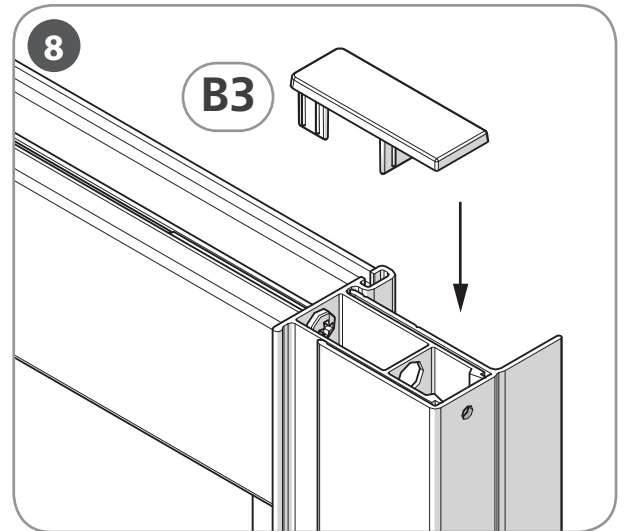
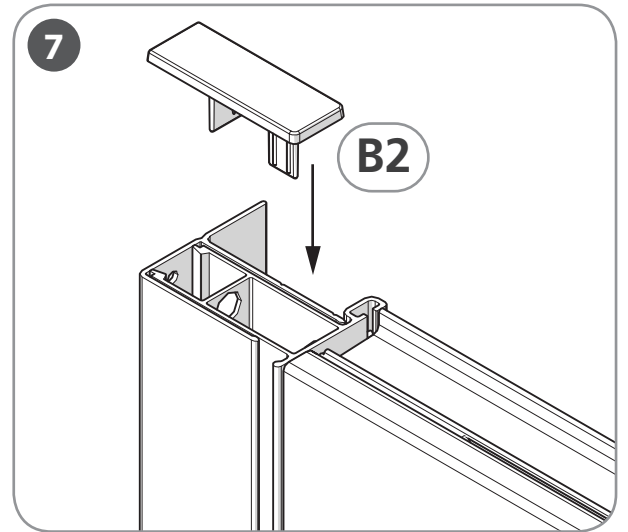
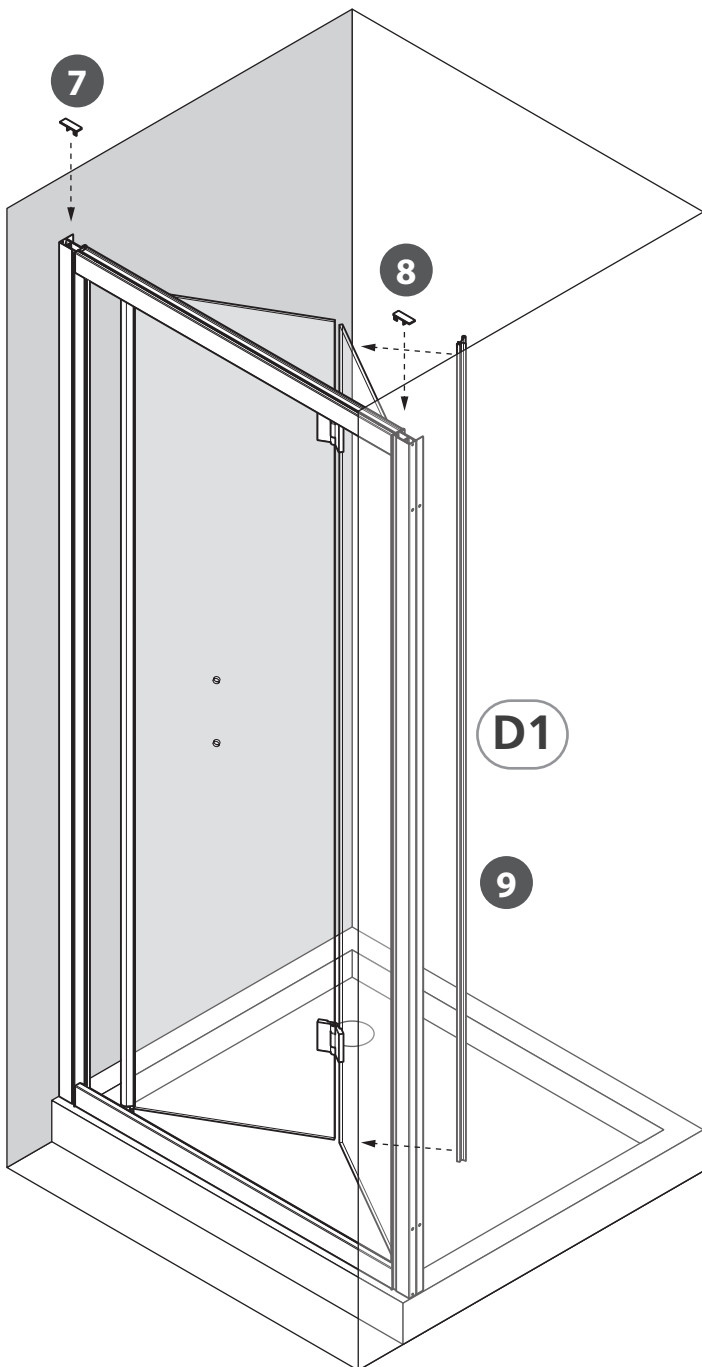
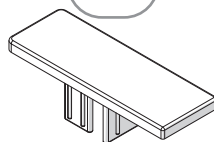
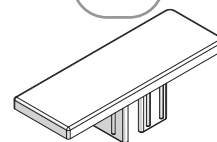
- C1**  x2
- C2**  x2
4X35 mm
- C6**  x2

5

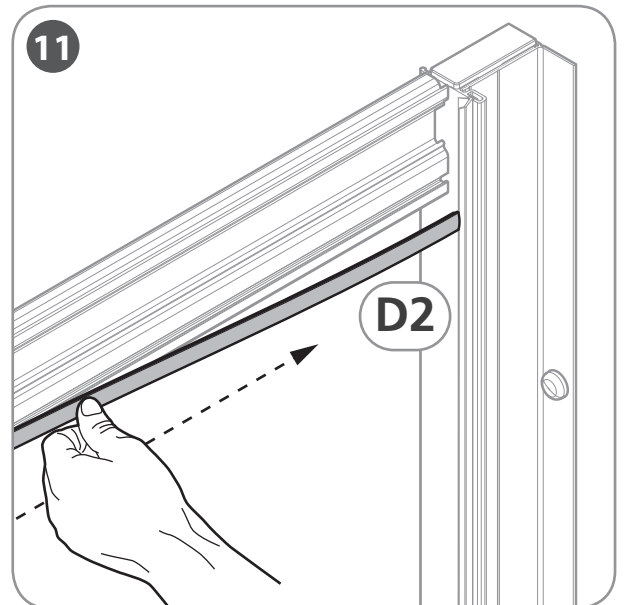
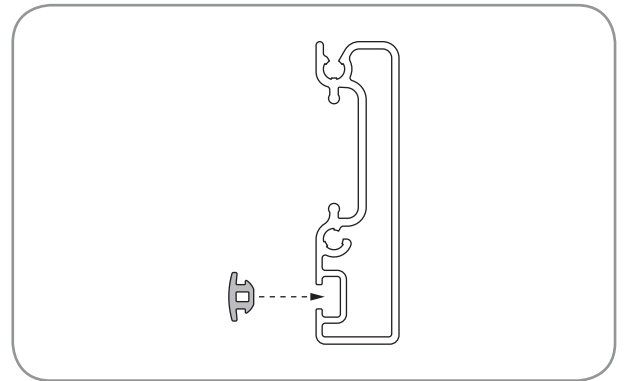
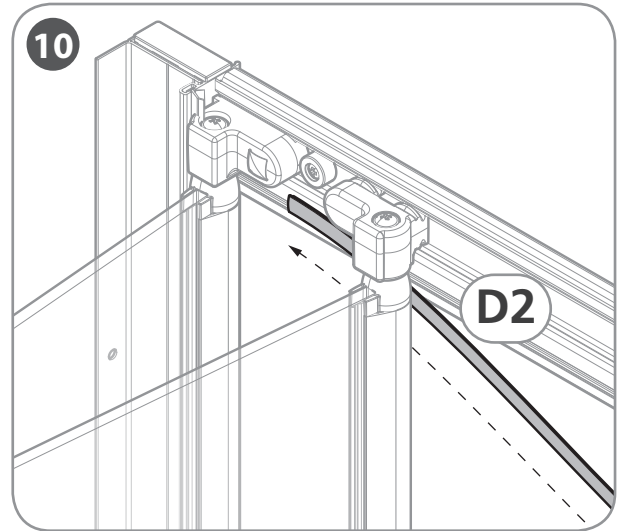
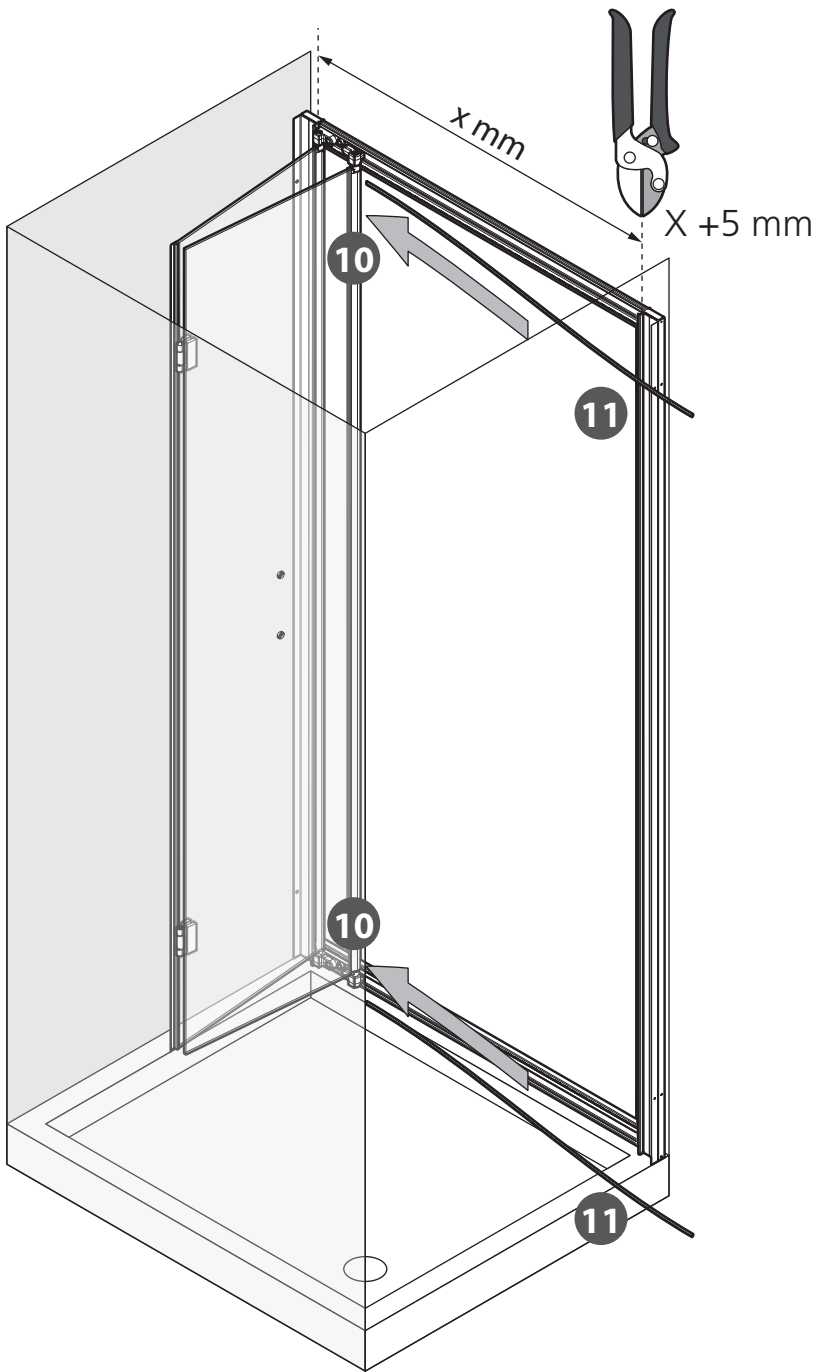


C5 
3,5x9,5 mm
x4

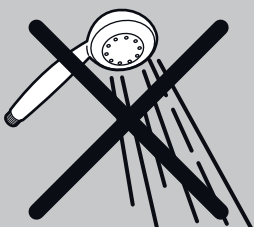
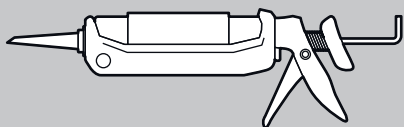
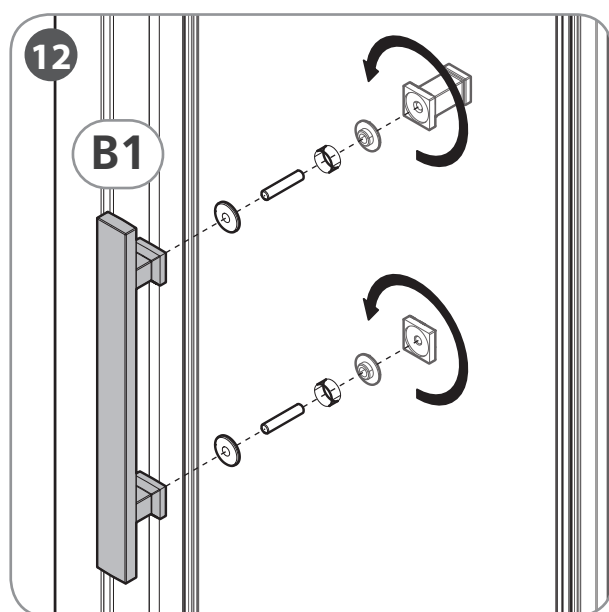
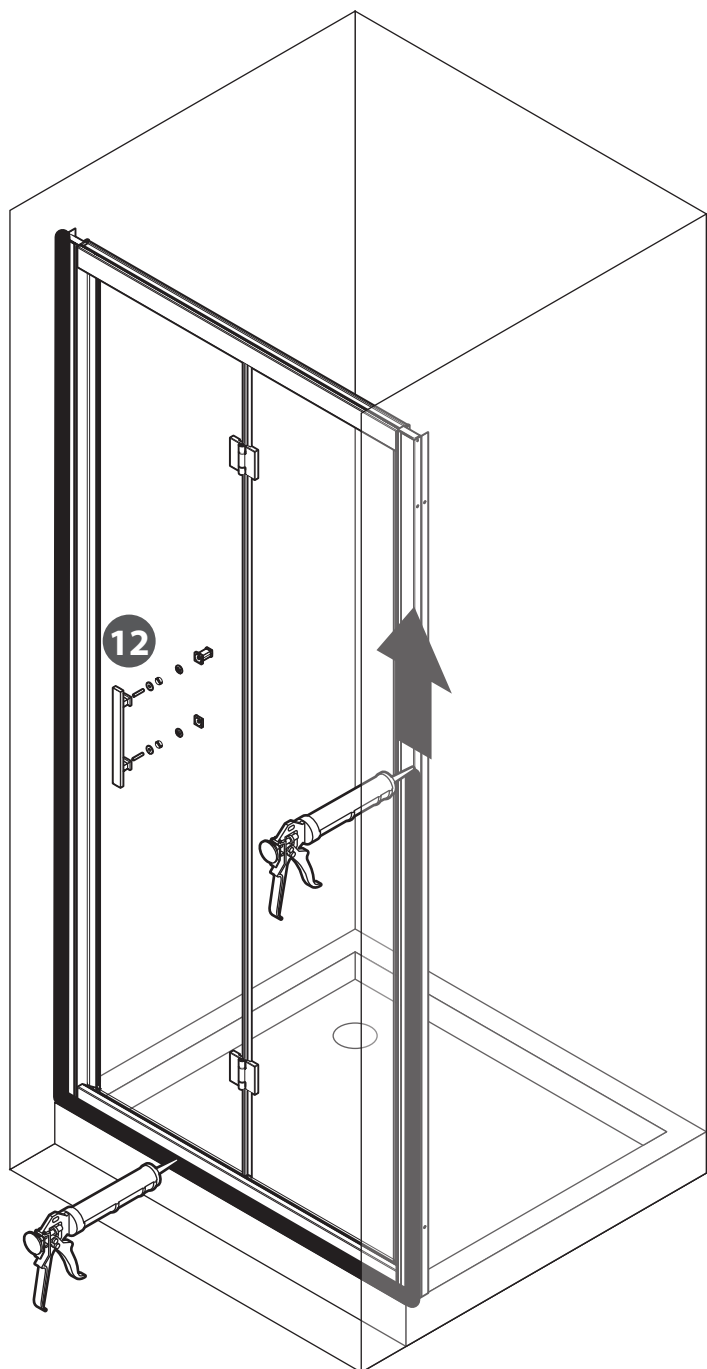
C6 
x4

**D1****B2****B3**

7



D2 x2



B1

