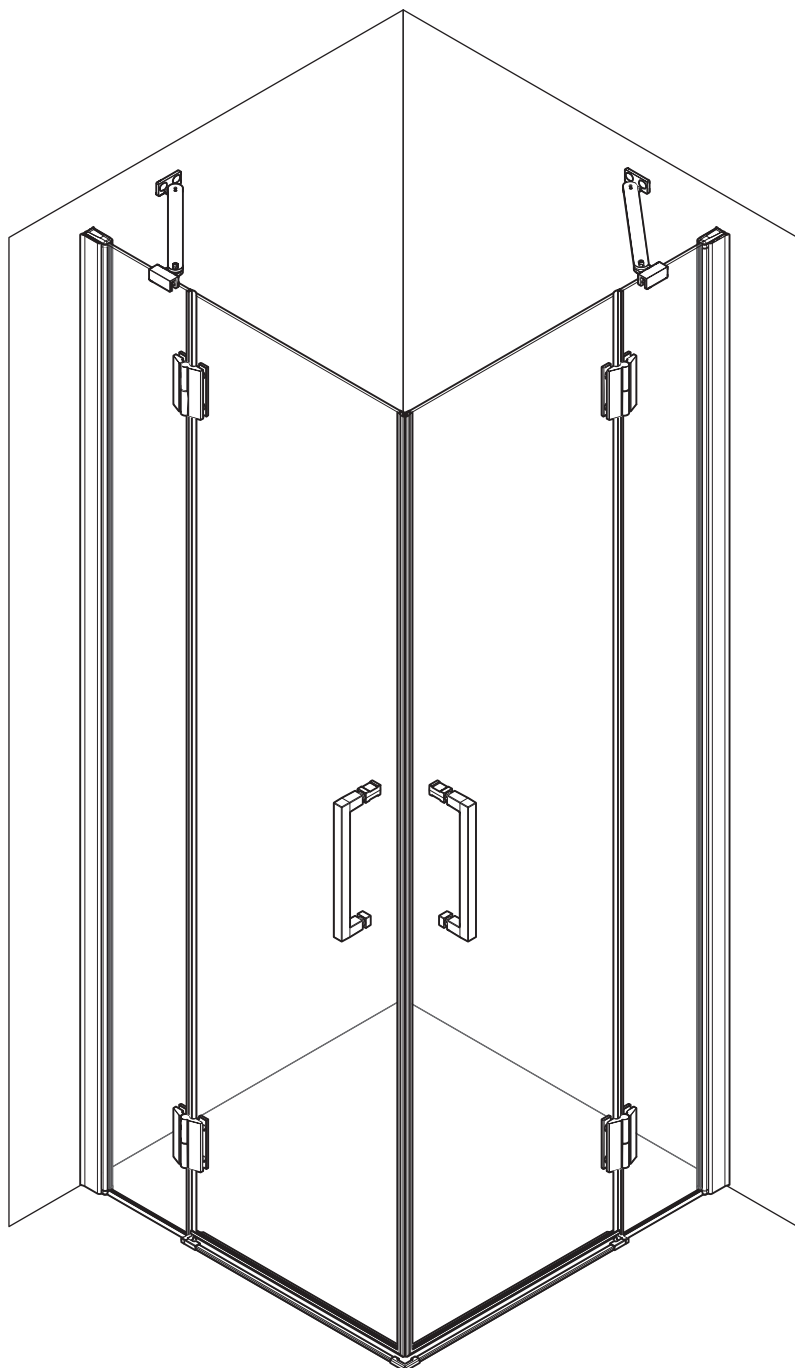
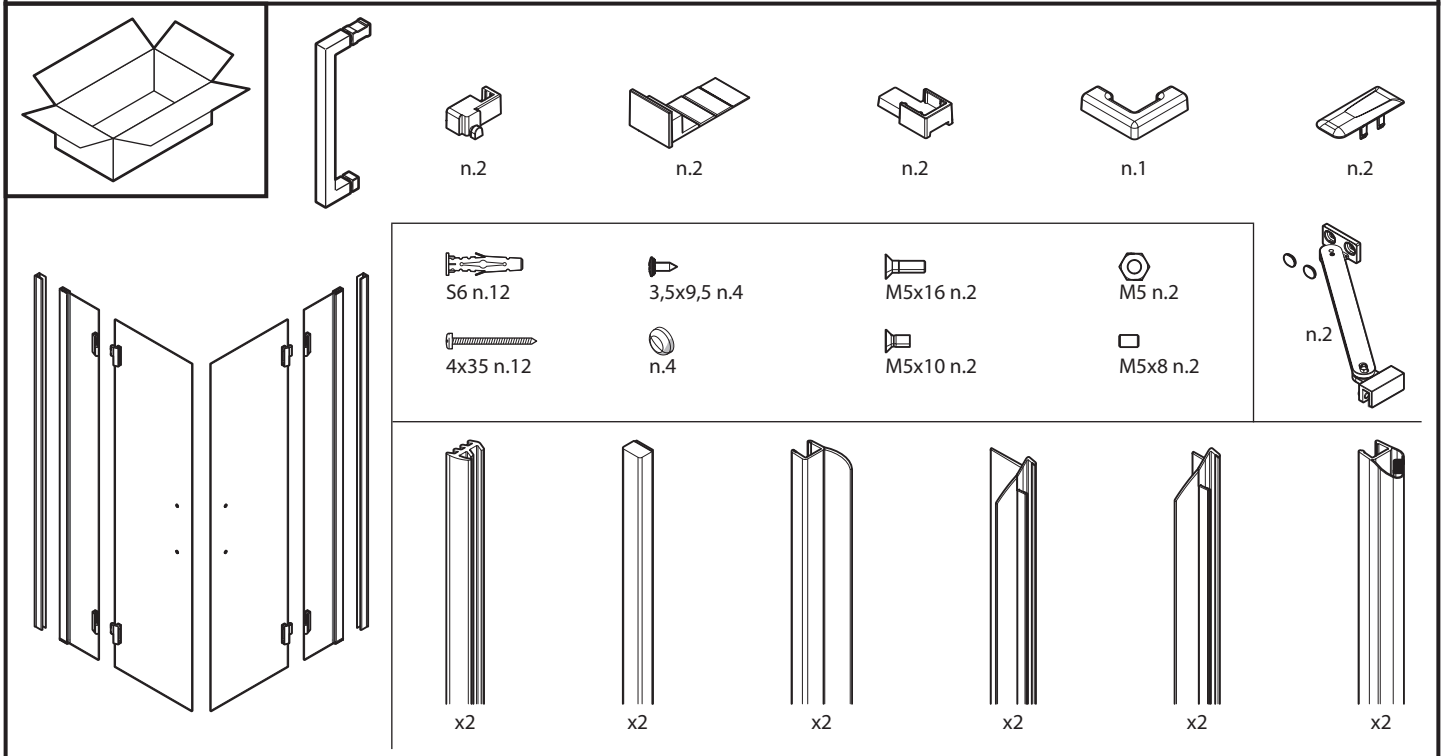
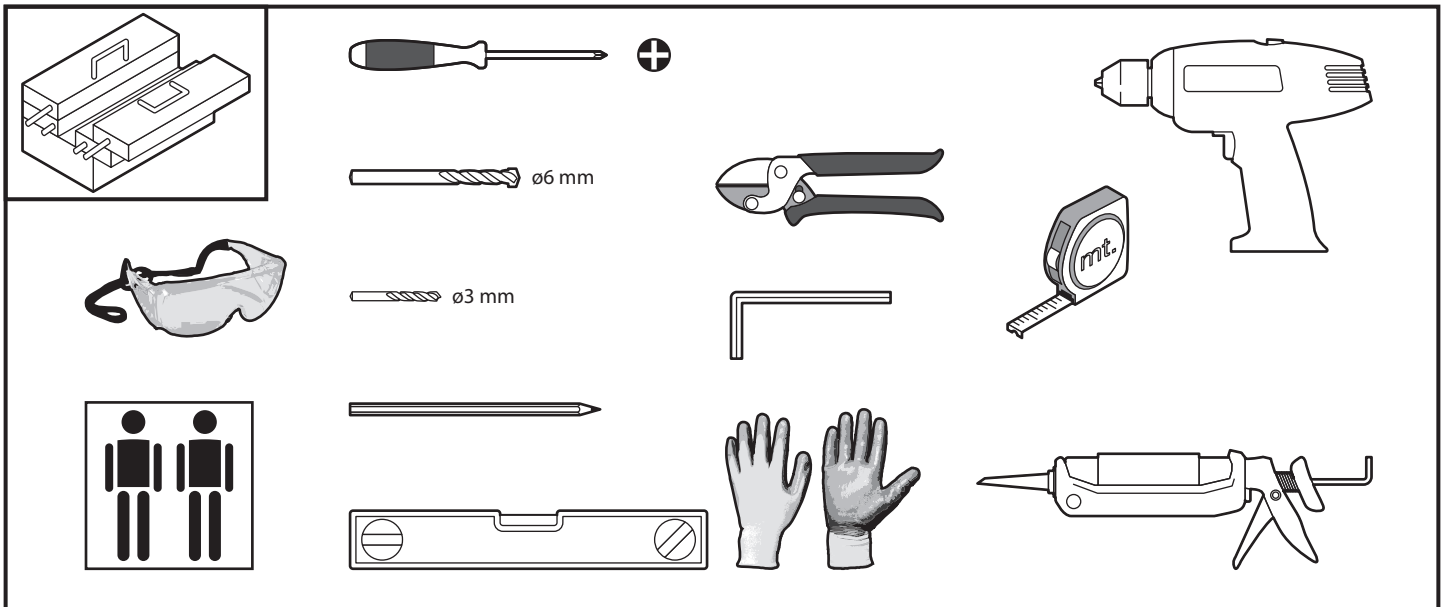


LOUVRE N

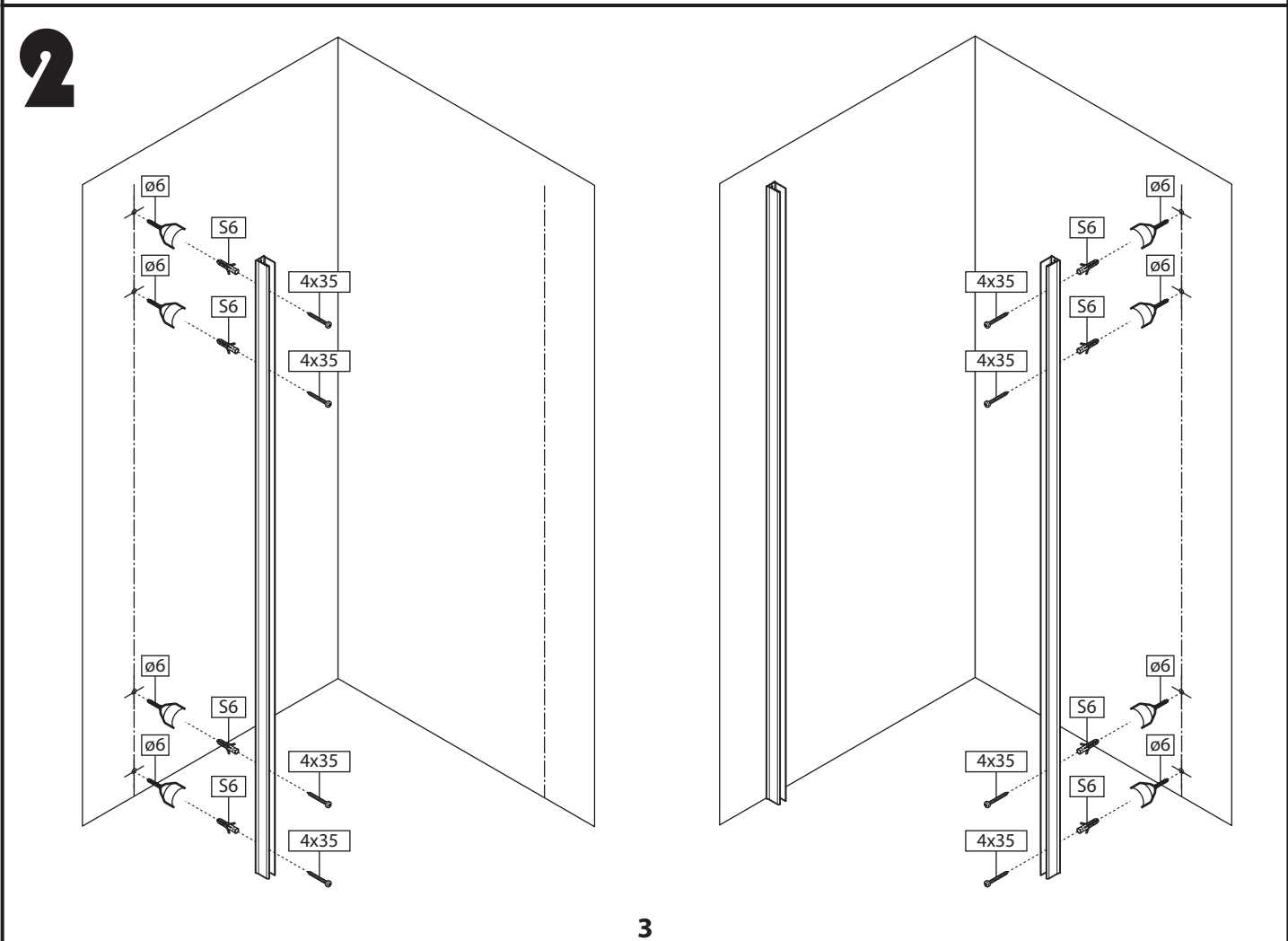
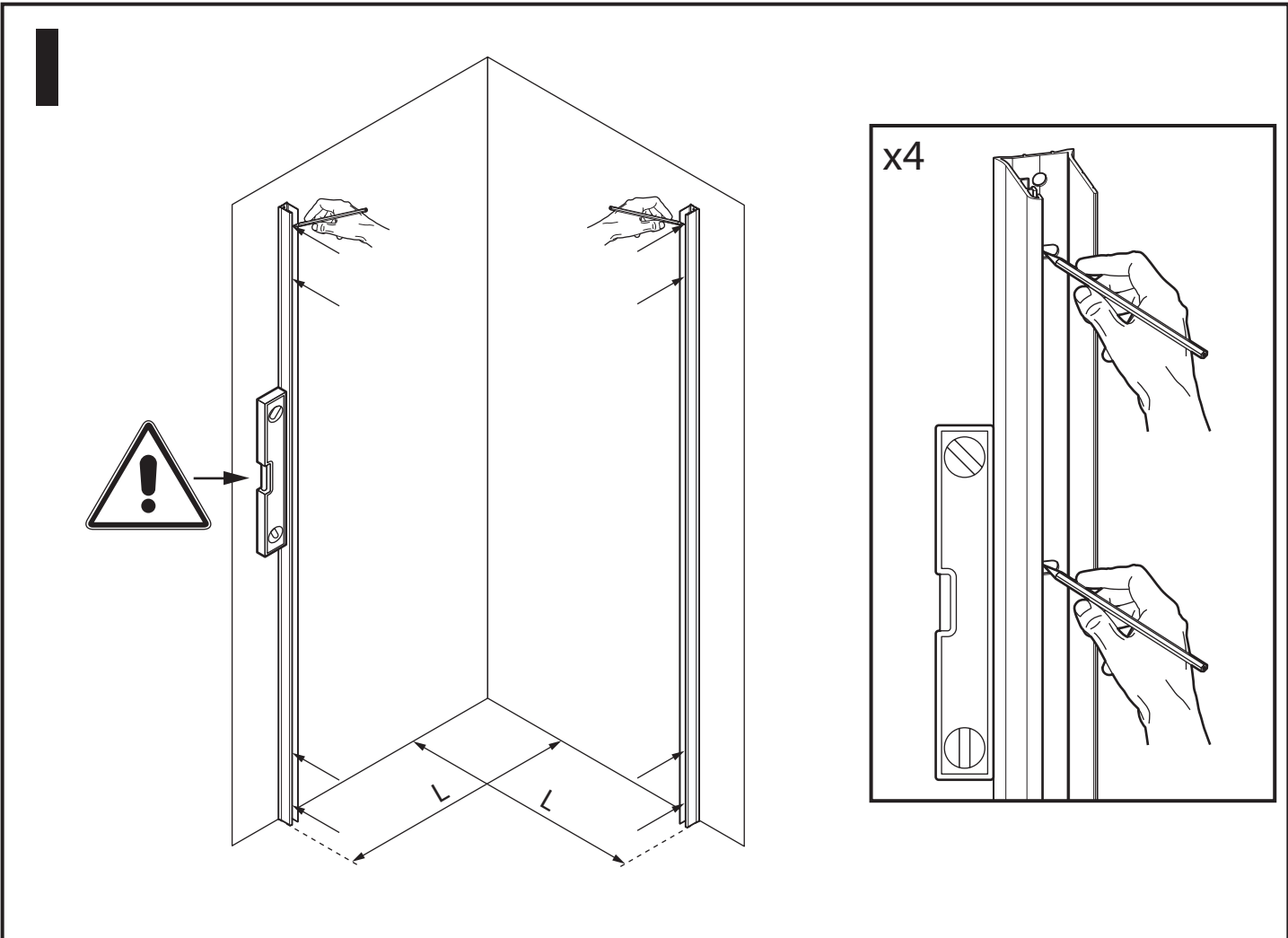
A



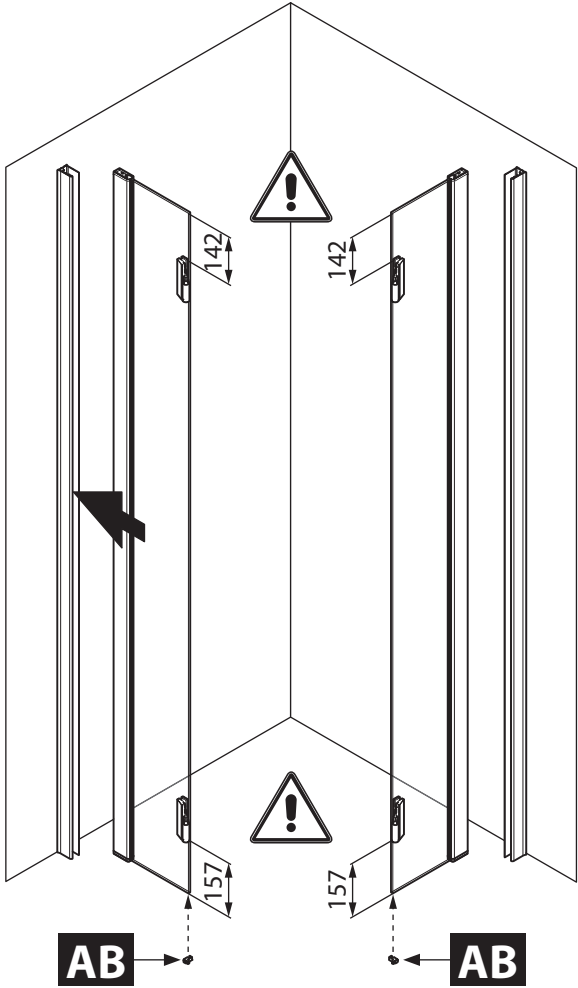
<hr/> <hr/> <hr/> <hr/>	<hr/> <hr/> <hr/> <hr/>
-------------------------	-------------------------



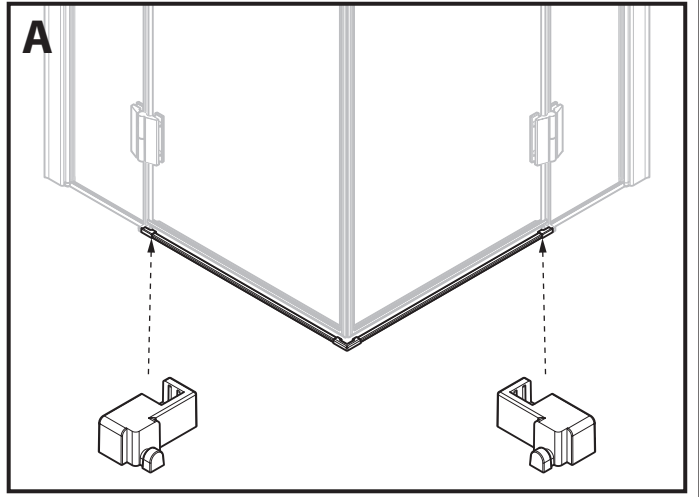
	L
A70	66,5/69,5
A75	71,5/74,5
A80	76,5/79,5
A85	81,5/84,5
A90	86,5/89,5
A95	91,5/94,5
A100	96,5/99,5
A110	106,5/109,5
A120	116,5/119,5



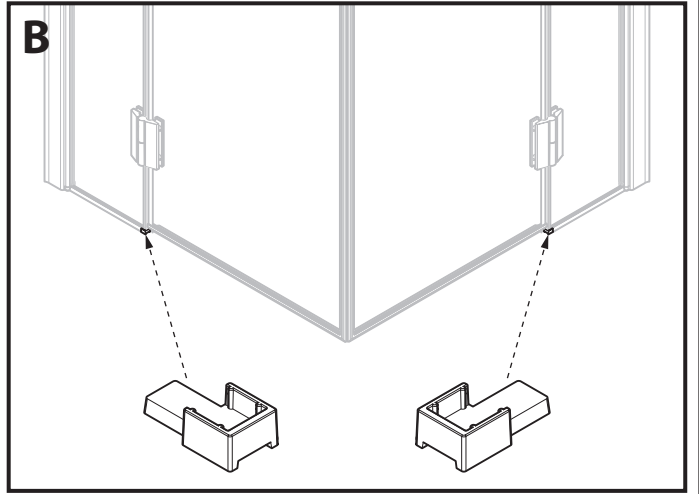
3



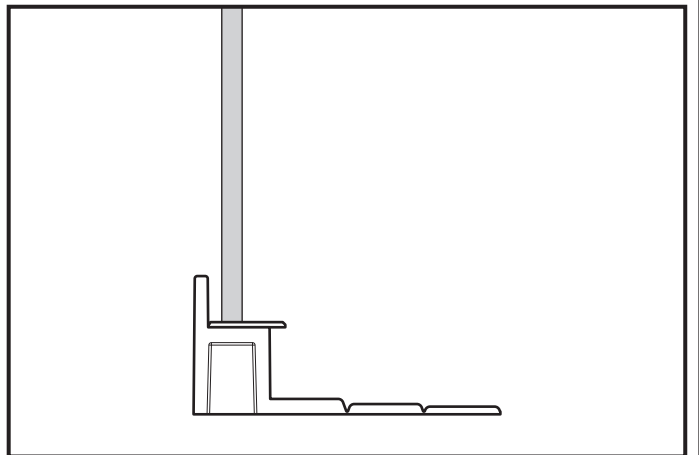
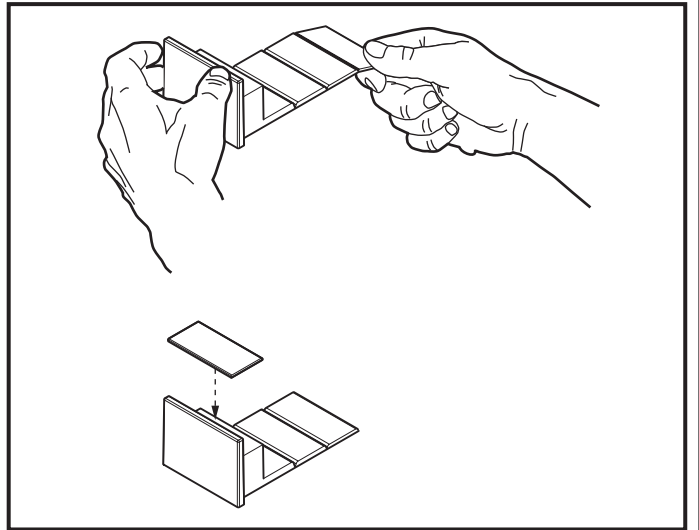
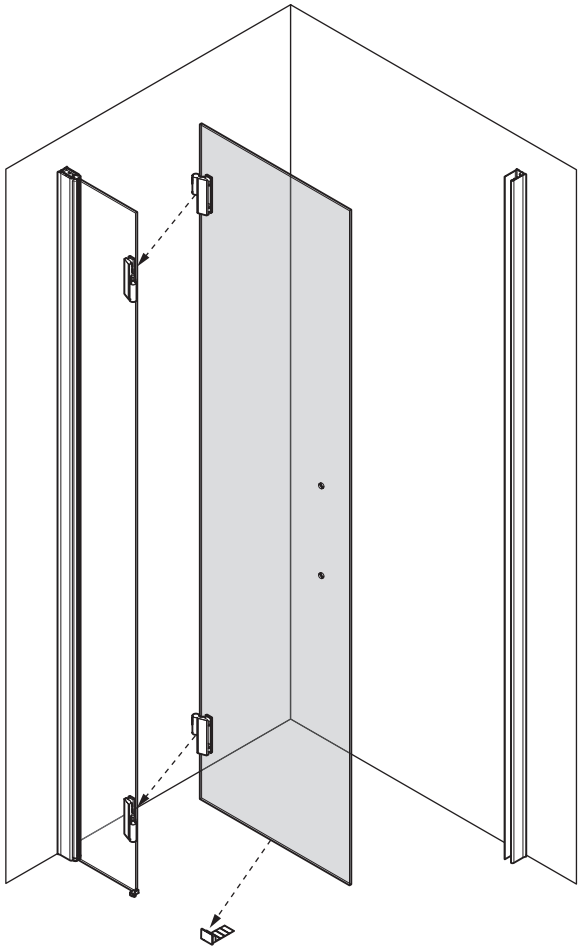
(mod. A) with low profiles



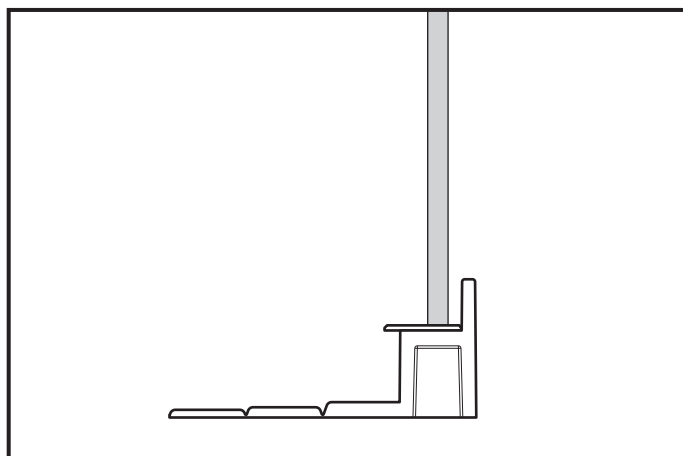
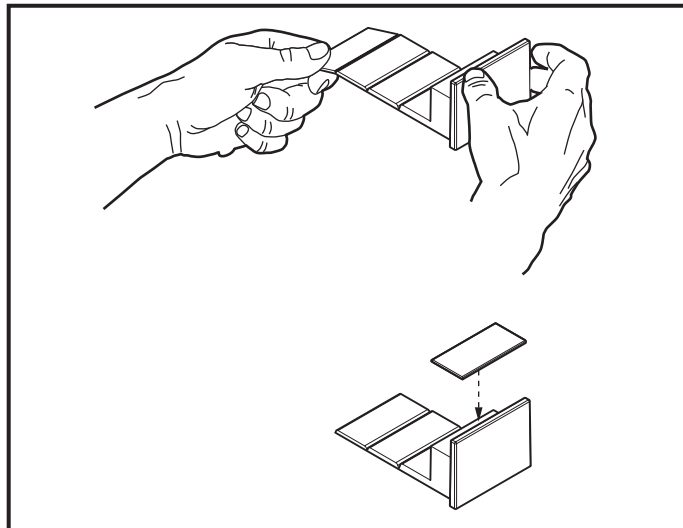
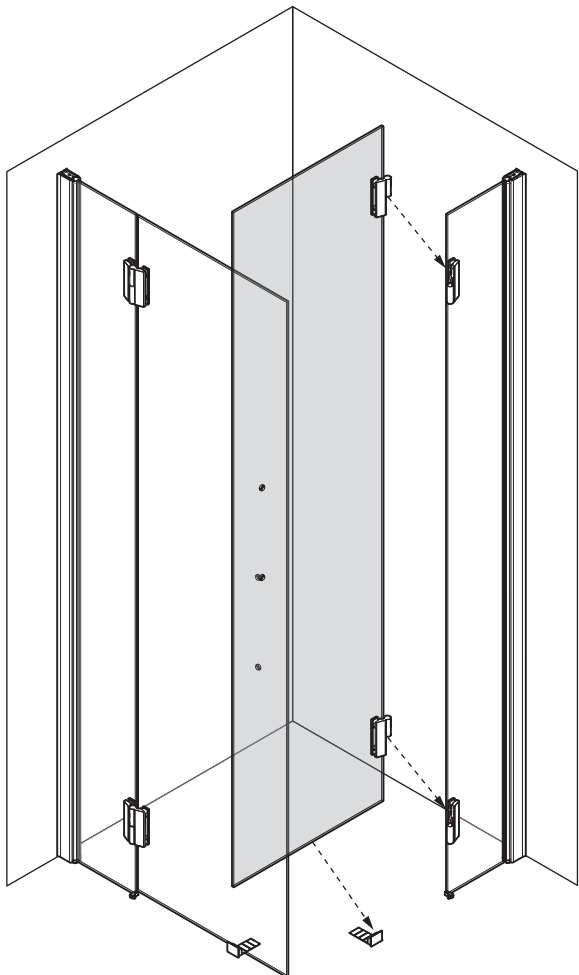
(mod. B) no profiles



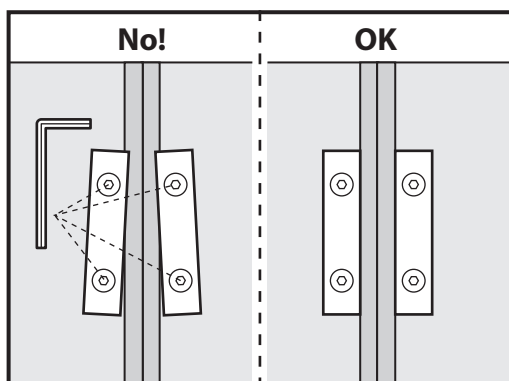
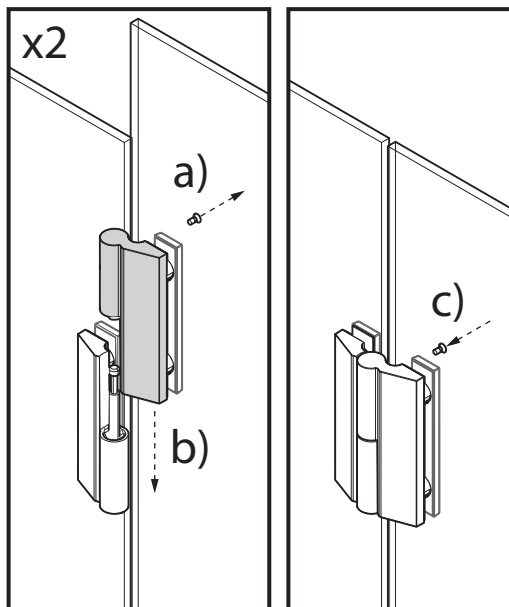
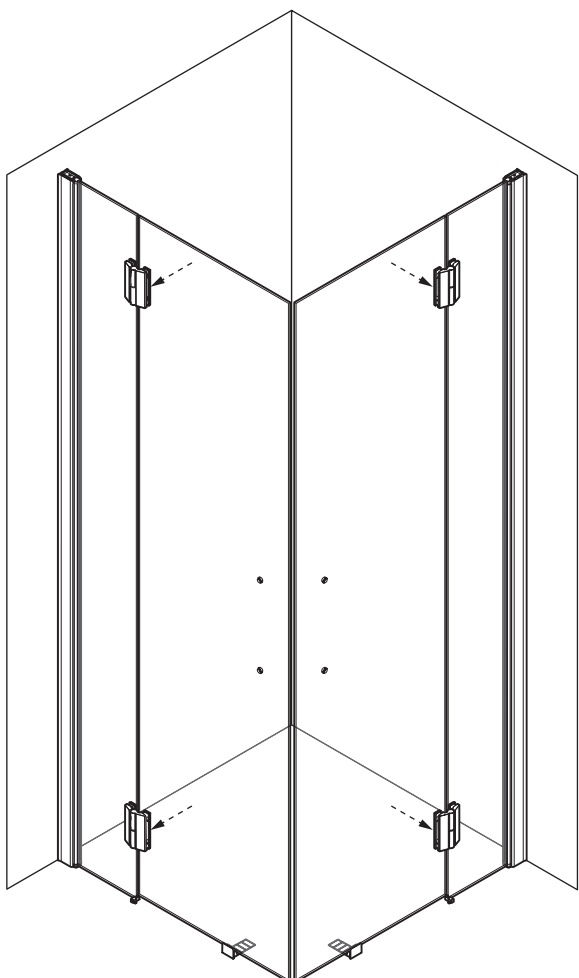
4



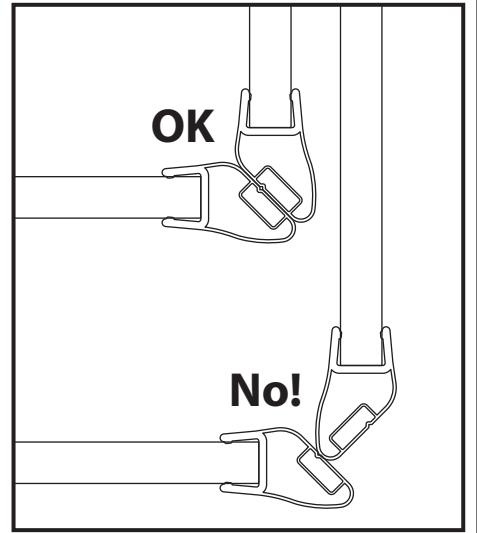
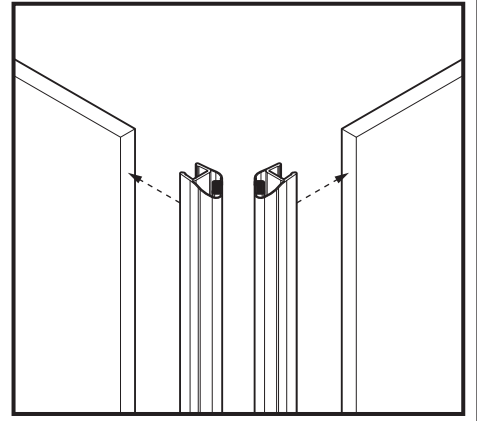
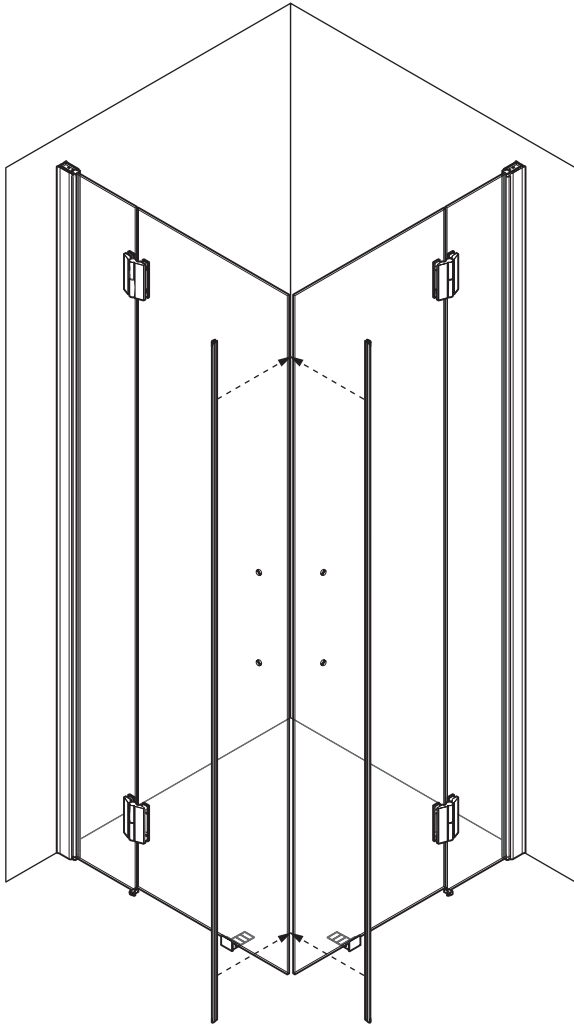
5



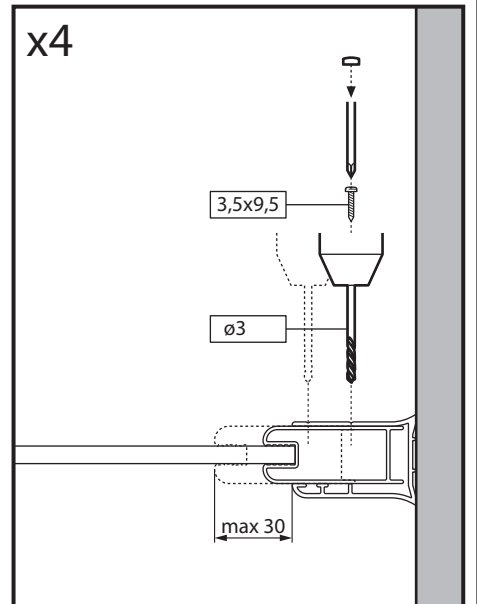
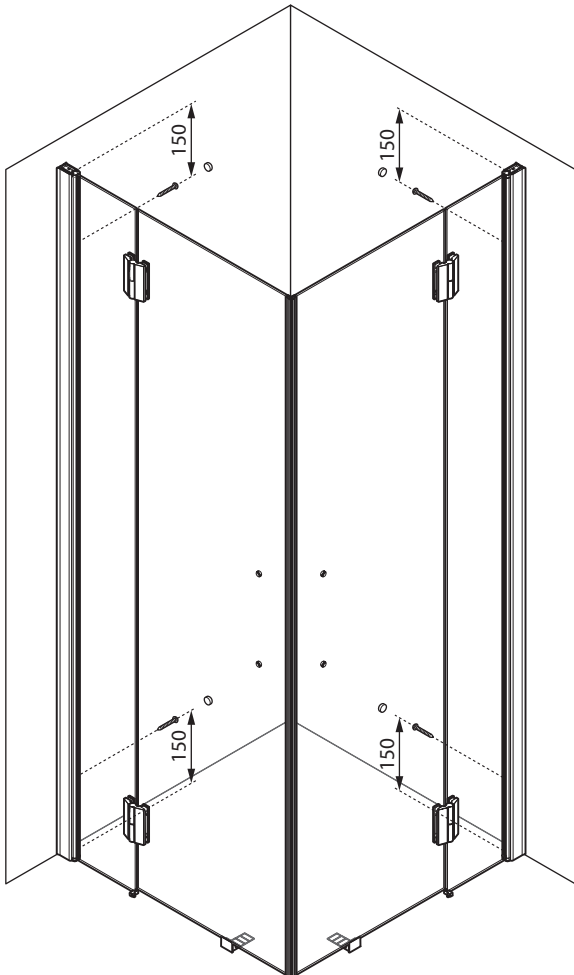
6



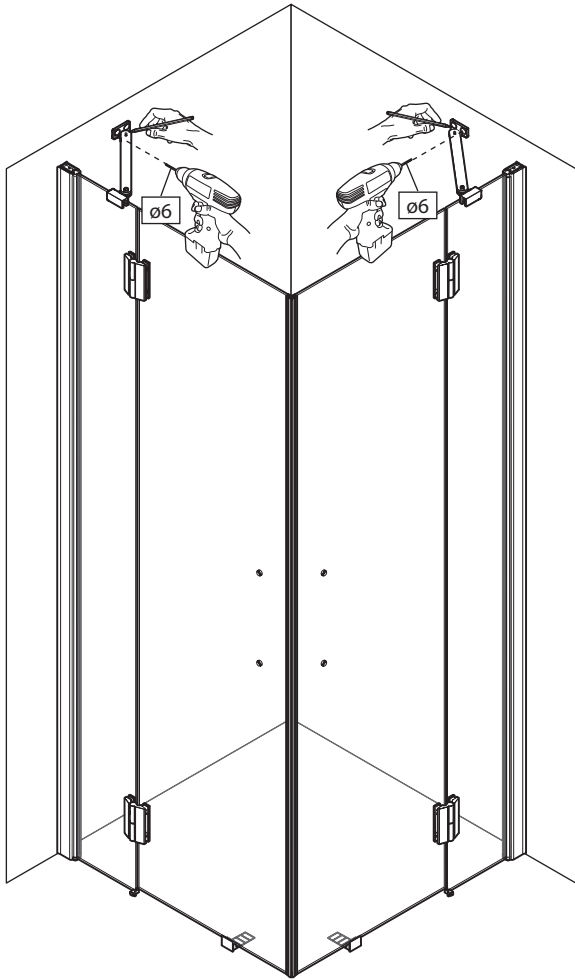
7



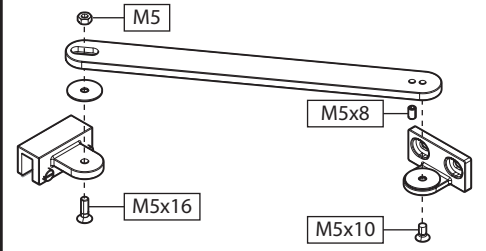
8



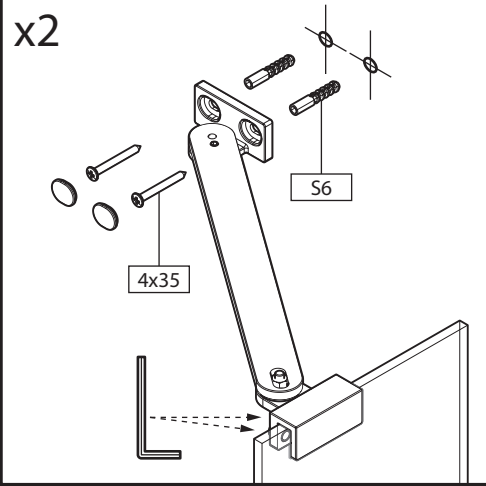
9



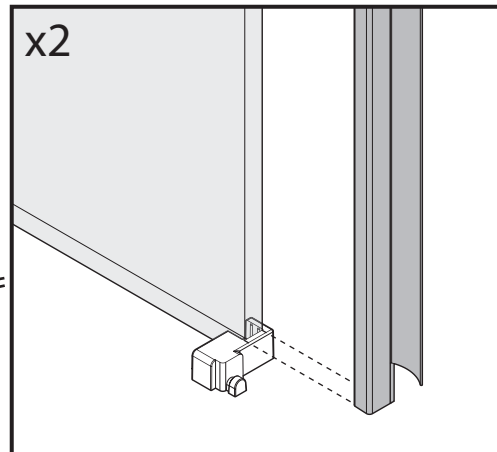
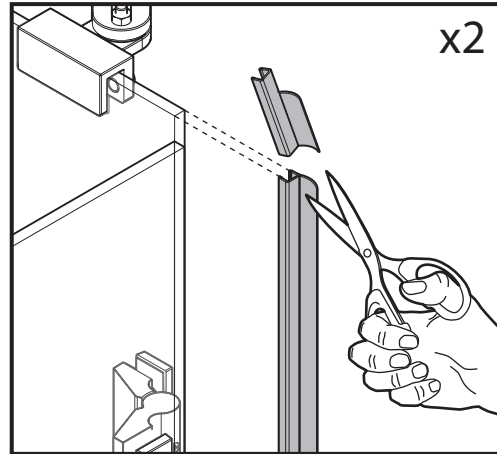
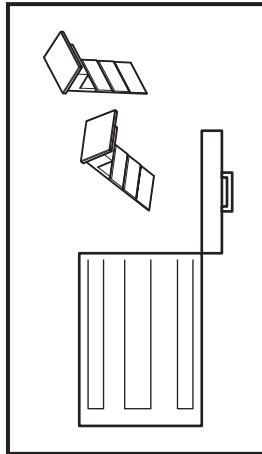
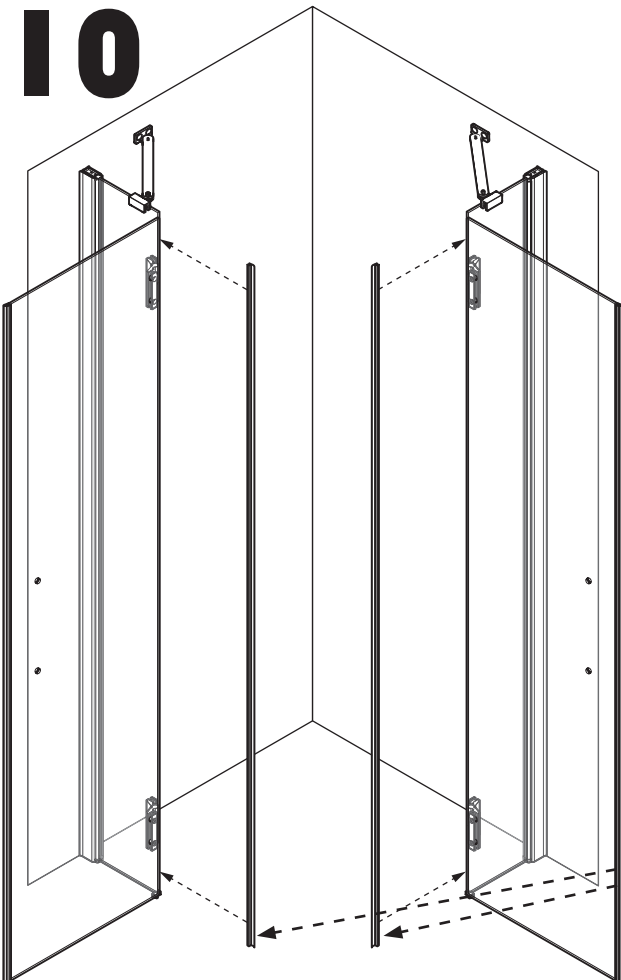
x2

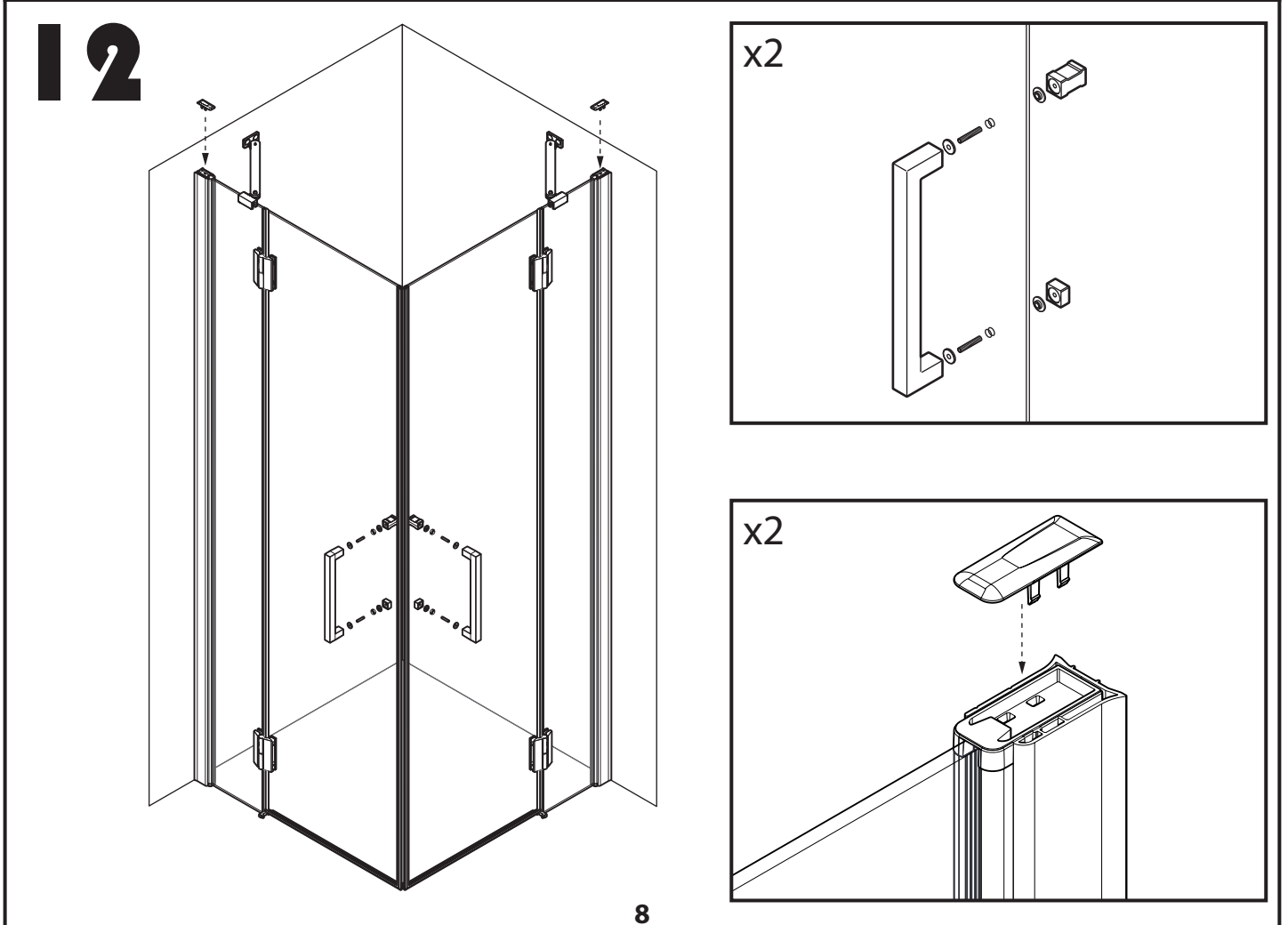
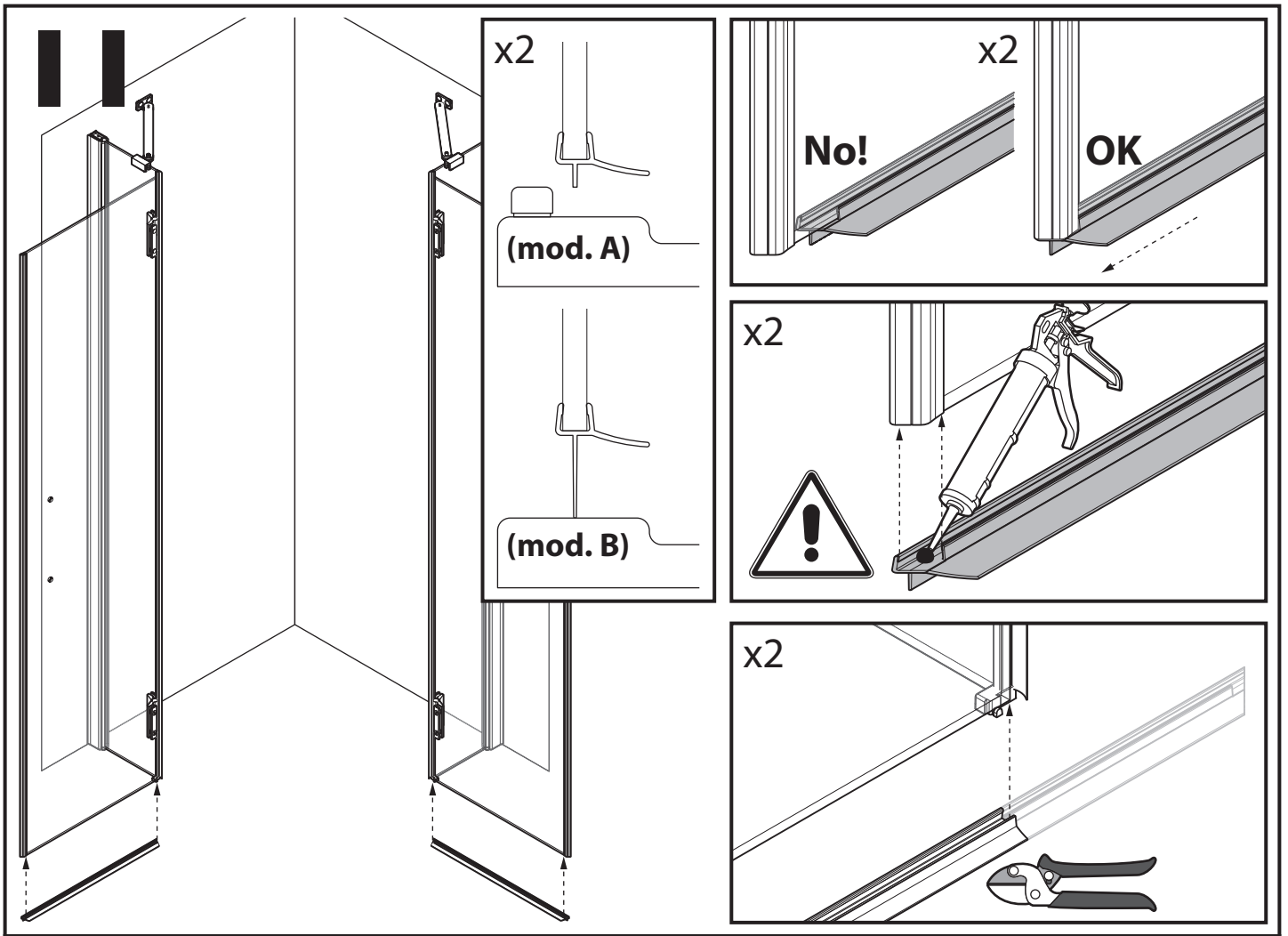


x2

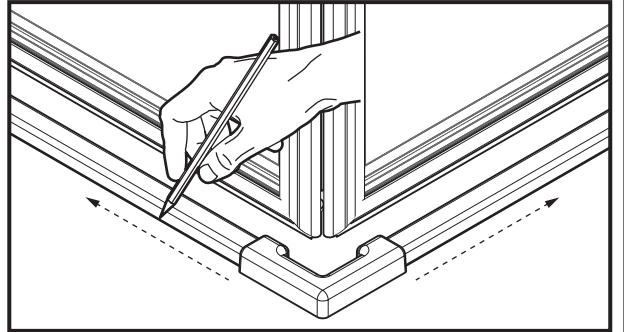
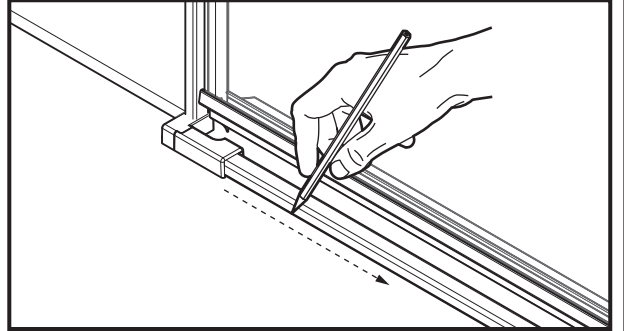
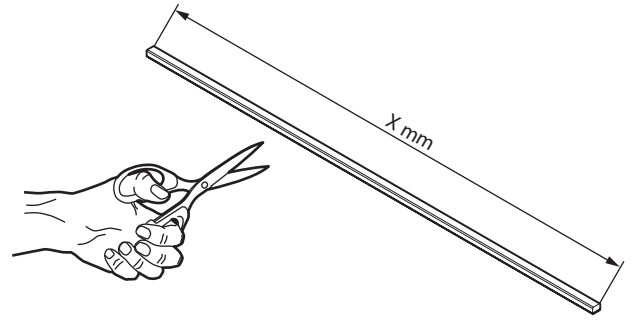


10

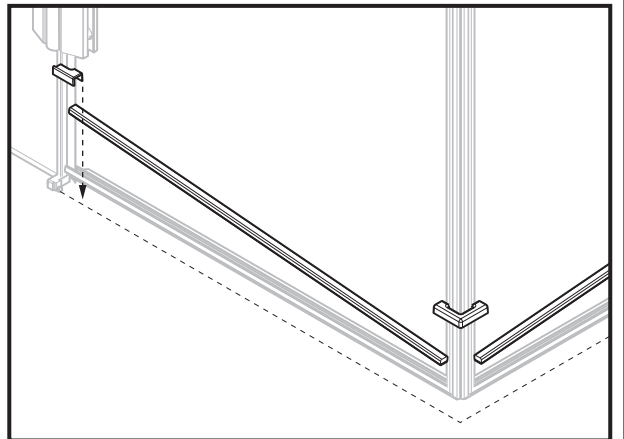
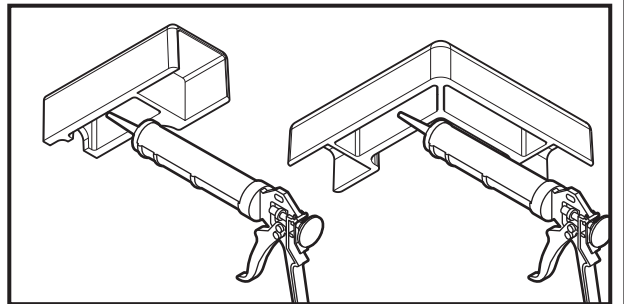
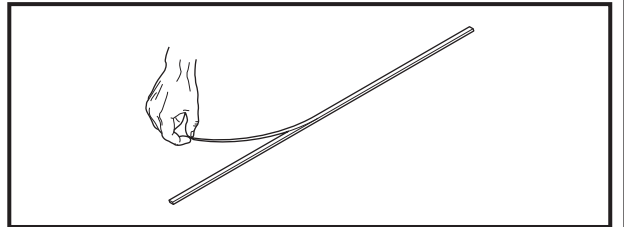
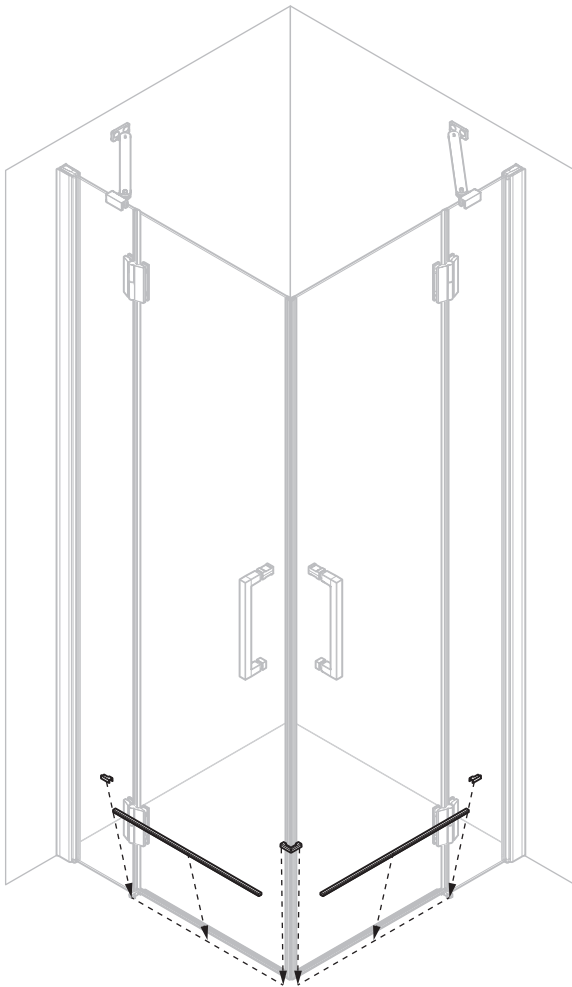




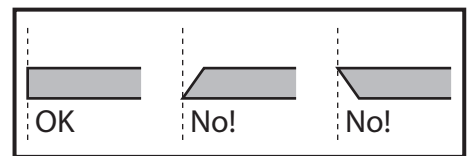
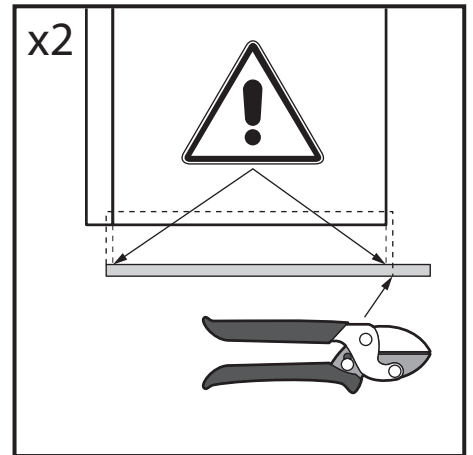
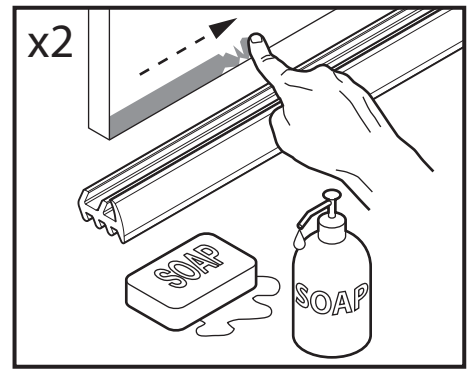
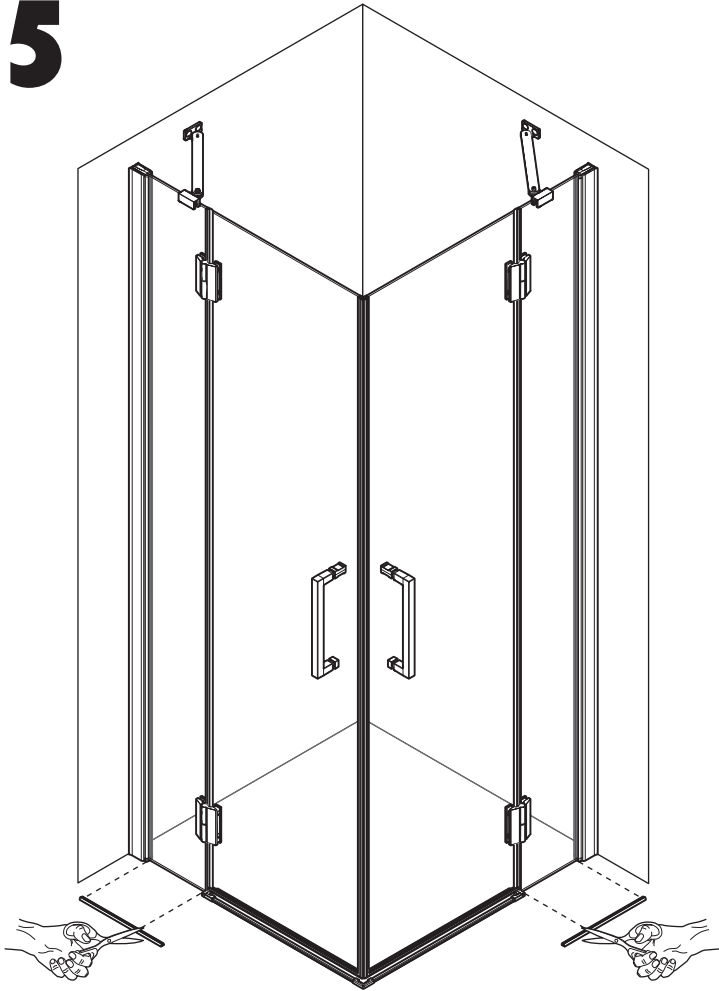
13



14



15



16

